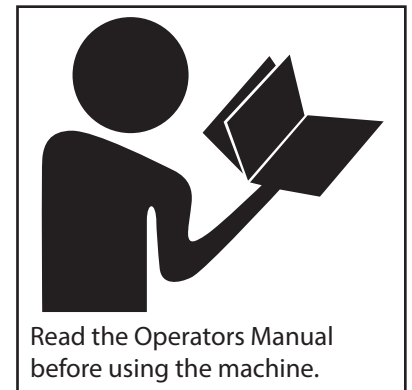
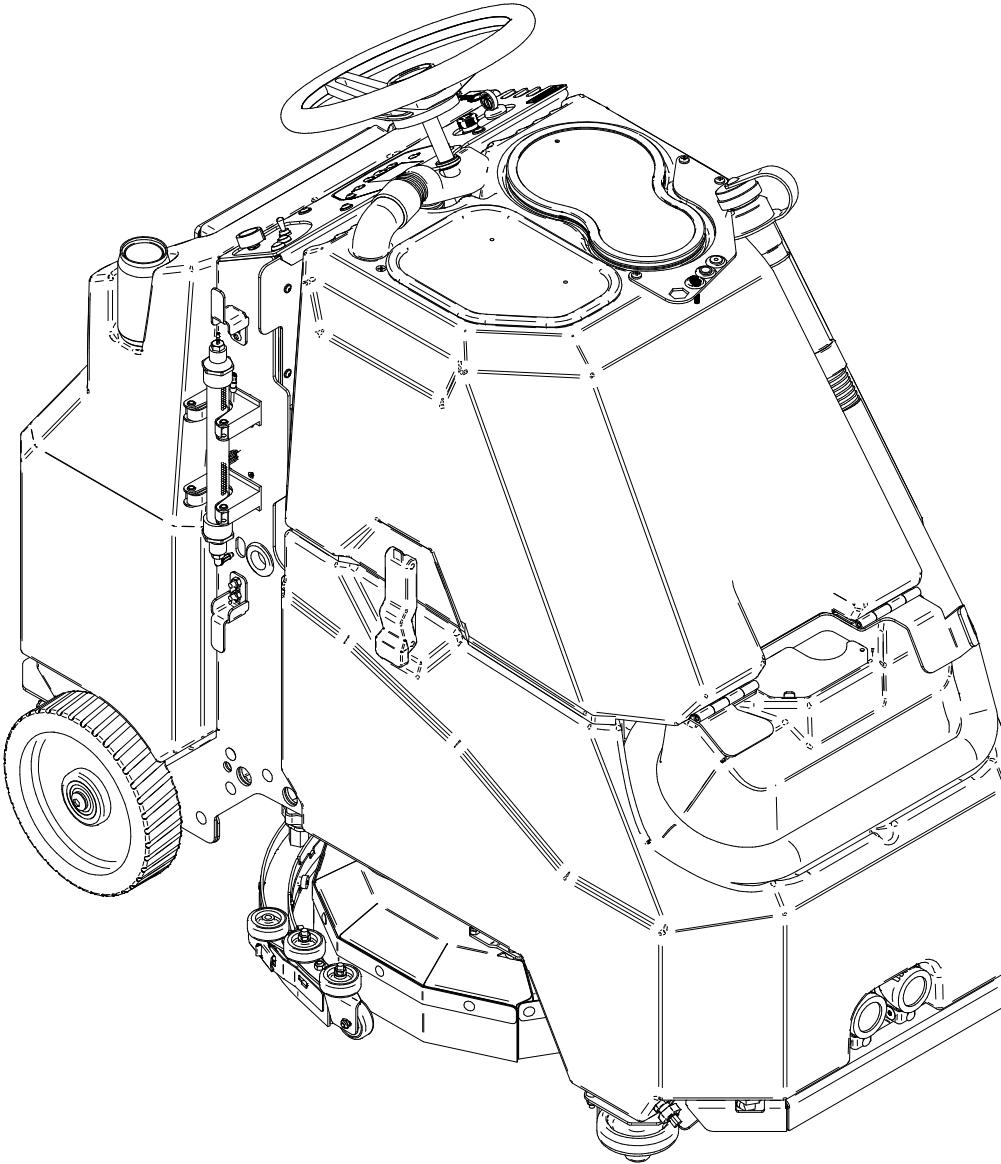


TOMCAT[®]

RIVAL.

★ Handmade In USA - Since 1986 ★

Parts Manual (EN)

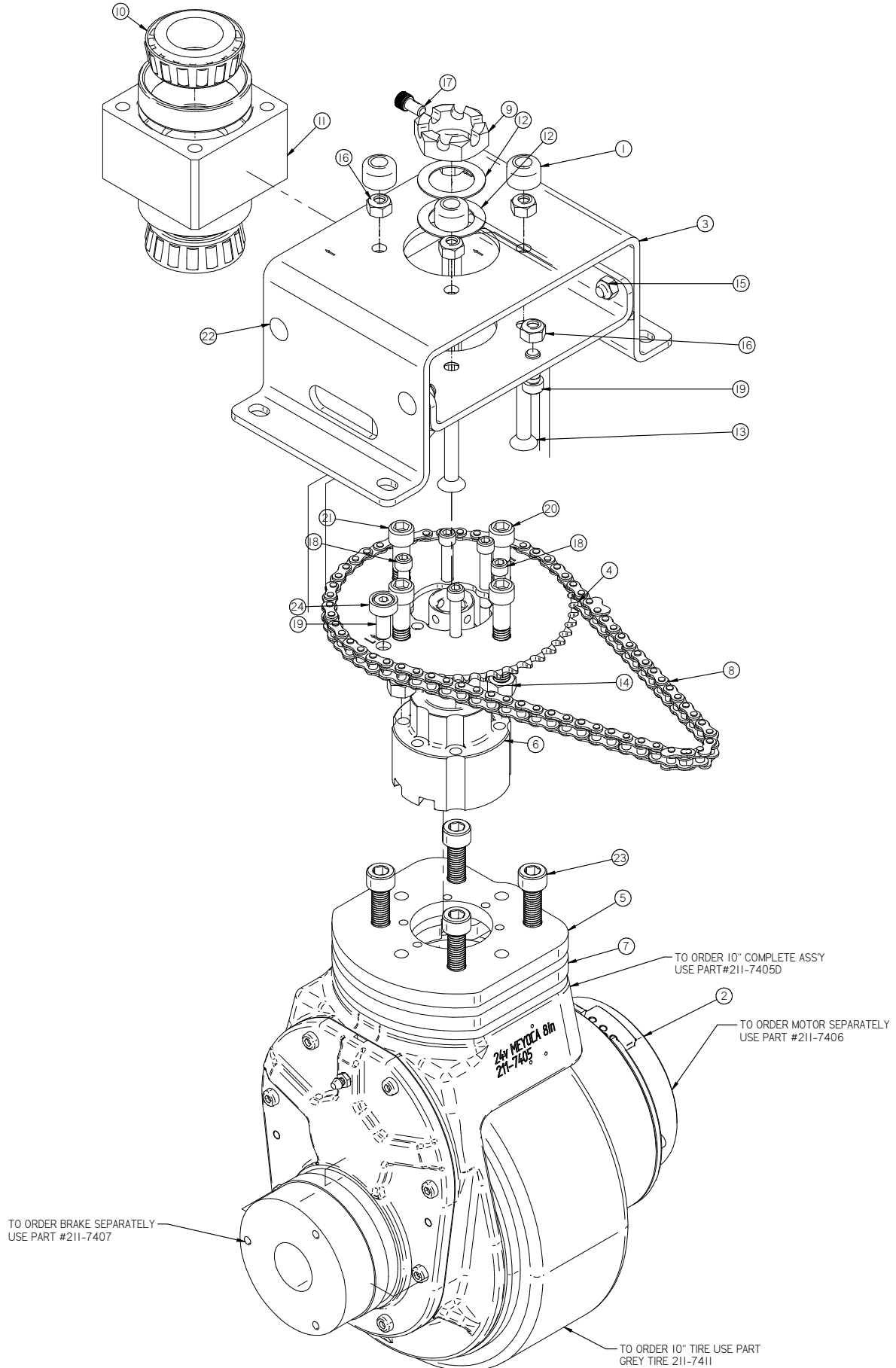


Read the Operators Manual
before using the machine.



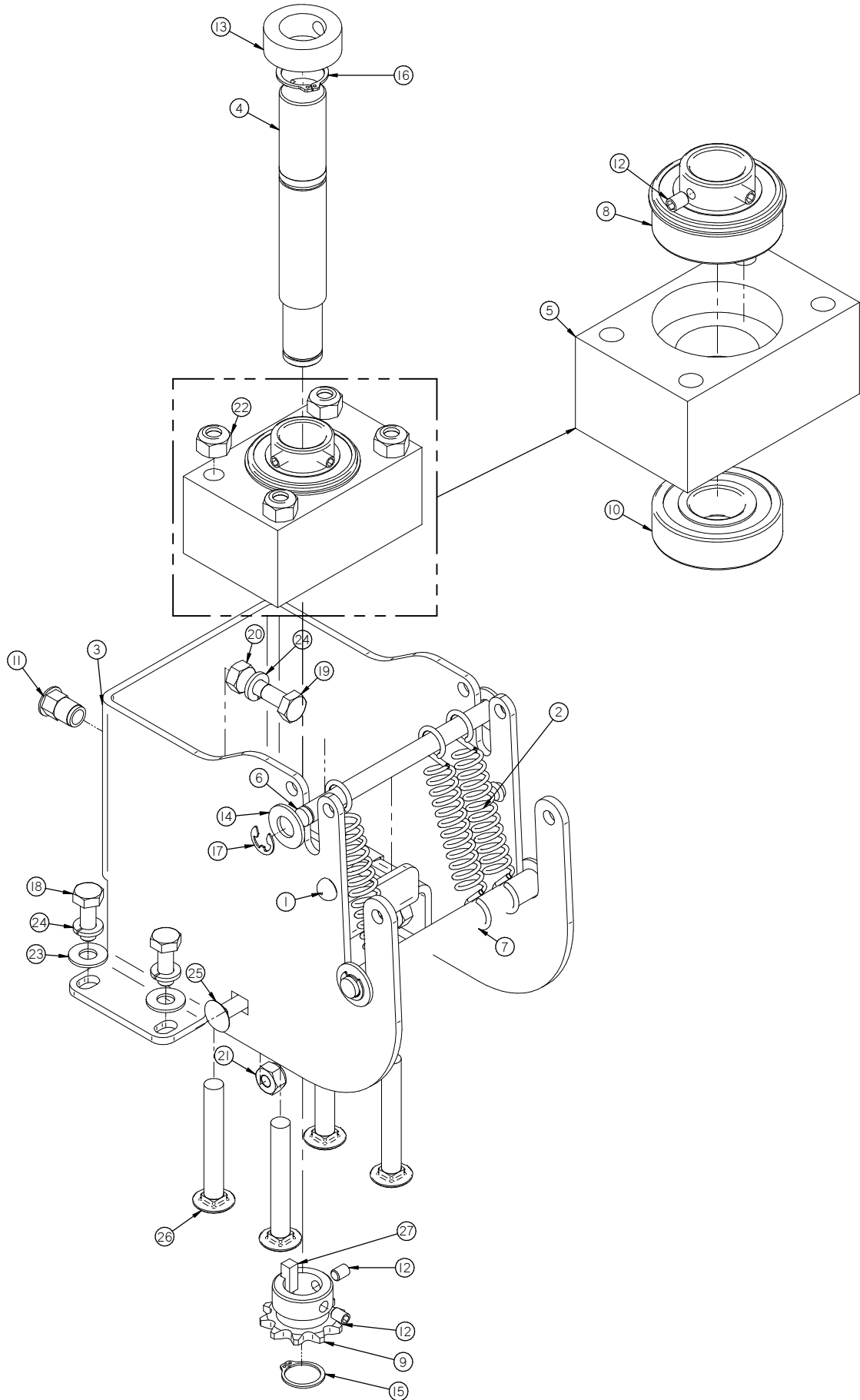
Read the Safety Messages
before servicing machine.

Front Wheel Assembly.....	5
Actuator & Steering Tower.....	7
20 inch Disk Deck Lift Arms.....	9
20 inch Disk Deck.....	11
20 inch Disk Deck Shrouds	13
Disk Deck Squeegee trail arm.....	15
Actuator & Steering Tower.....	17
Orbital Deck Lift Arm.....	19
Orbital Deck Pad Driver.....	23
Orbital Deck Squeegee trail arm	25
Cylindrical Deck Lift Arm.....	27
Cylindrical deck.....	29
Cylindrical Idler Door	31
Attaching Front Wheel Deck and Rear Axle	32
Attaching Front Wheel Deck and Rear Axle	33
Steering Upright.....	37
Central Command	39
Central Command	41
Vacuum Muffler.....	43
Disinfectant Tank	45
Disinfectant Tank	47
Solution Tank	49
Solution Hoses	51
Zero3 System	53
Recovery Tank.....	55
Recovery Tank.....	57
Recovery Tank.....	59
Batteries and Charger Options	61
Squeegees	63
Common Wear Parts	64
Decals.....	66
Schematics	67



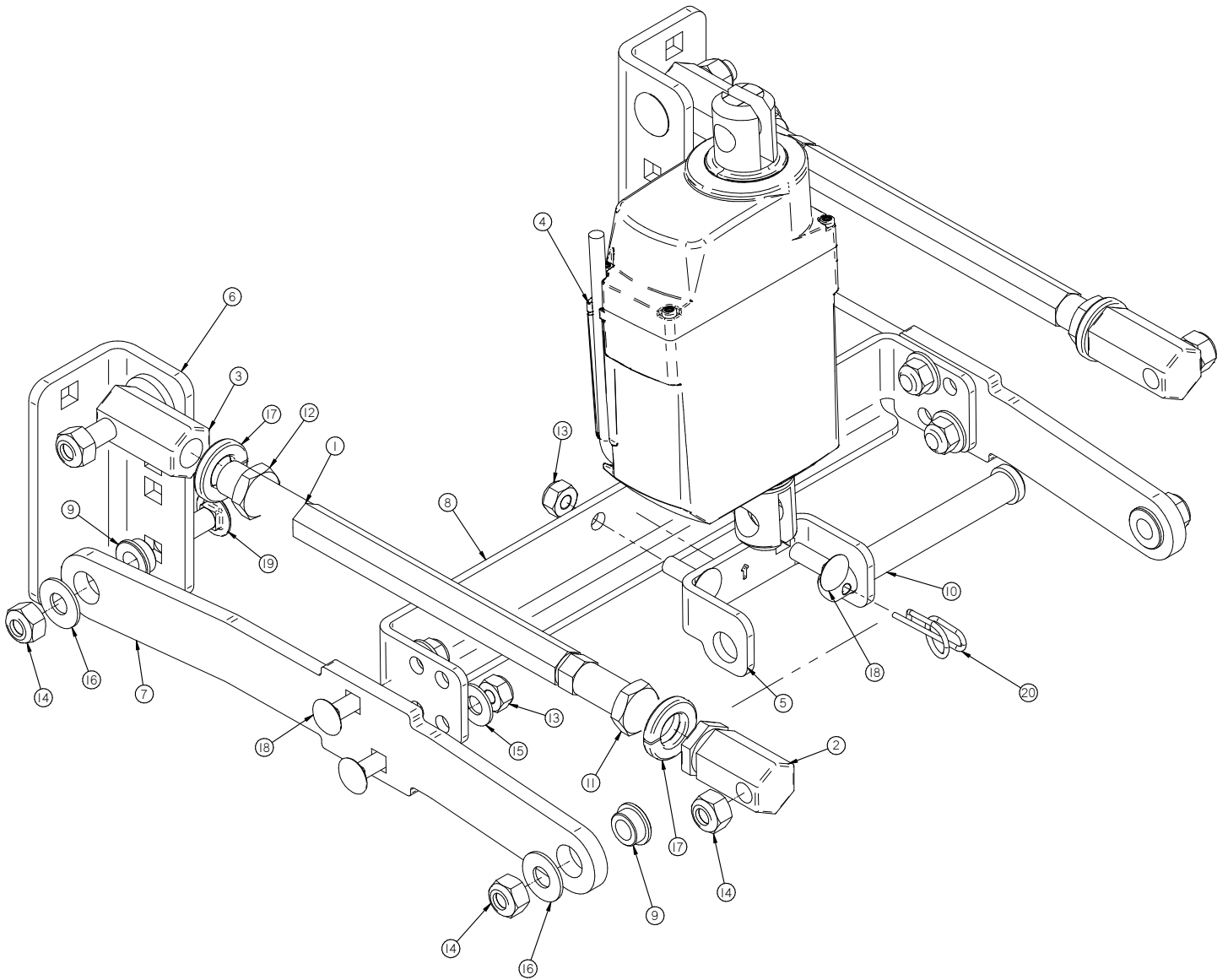
Front Wheel Assembly

Item	Part No.	Part Description	Qty.
1	175-9540	1/2" HDPE BUMPER	4
2	211-7405D	Drive, Front Wheel, 8, 24v	1
3	220-7311	FRONT DRIVE DROP PLATE	1
4	220-7318	45 TOOTH STEERING SPROCKET	1
5	220-7411	Drive Pivot Plate	1
6	220-7412	Steering Spindle	1
7	220-7414	Drive Plate Spacer	1
8	250-7327	48 TOOTH STEERING CHAIN	1
9	37-7321	SLOTTED NUT, 2.0 - 12	1
10	370-7317	TAPERED ROLLER BEARING	2
11	600-7230A	BEARING BLOCK ASSEMBLY	1
12	8-713	1 1/2" THRUST WASHER	2
13	H-0171361	FHSCS 5/16"- 18 X 2-3/4" S/S	4
14	H-70712	HN 3/8"-16 SS	4
15	H-70860	NYLOK 1/4"- 20 SS	4
16	H-70861	NYLOK 5/16" - 18 SS	6
17*	H-73459	SHCS .25-20 x .5 SS	1
18	H-73466	SHCS 1/4-20 X 2.0 SS	6
19	H-73494	SHCS 5/16-18 X 3/4 SS	3
20	H-73544	SHCS 3/8"- 16 X 2.0" SS	1
21	H-73545	SHCS 3/8"- 16 X 2-1/4" SS	3
22	H-74419	CB 1/4"- 20 X .75" SS	4
23	H-MS2600035A20000	SHCS 10mm X 35mm SS	4
24	M-5233K66	CLEAR TUBING	1



Actuator & Steering Tower

Item	Part No.	Part Description	Qty.
1		PUSH IN BUMPER	2
2	211-9729	1.75" Long, 0.5" OD, .063 Wire Dia	3
3	220-4028	Actuator/Steering Tower	1
4	220-7120	LOWER STEERING SHAFT	1
5	220-7231	BEARING BLOCK	1
6	220-9727	Spring Pin	1
7	220-9728	Actuator Pin	1
8	349-7231	BEARING W/SET SCREW	1
9	5-826	10 TOOTH SPROCKET 5/8 SHAFT	1
10	8-723B	1-3/4 X 3/4" ROLLER BEARING	1
11	H-00918	HCN 1/4"-20 LG	1
12	H-25306	SSS CP #10-32 X 1/4"	4
13	H-33376	.75 ID SHAFT COLLAR WITH SET SCREW	1
14	H-4440024	FW 3/8" X 3/4" NYLON	4
15	H-68013	SNAPRING	1
16	H-68015	Snapping For .75 OD Shaft	1
17	H-68078	.3125 External Retaining Ring	4
18	H-70003	HCS 1/4"-20 X 3/4" SS	4
19	H-70007	HCS 1/4"- 20 X 1.25" SS	1
20	H-70710	HN 1/4"- 20 SS	1
21	H-70860	NYLOK 1/4"- 20 SS	2
22	H-70861	NYLOK 5/16" - 18 SS	4
23	H-71013	FW 1/4 ID X 5/8 OD SS	4
24	H-71063	LW 1/4" SS	5
25	H-74419	CB 1/4"- 20 X .75" SS	2
26	H-74463	CB 5/16"- 18 X 2-1/4" SS	4
27	H-KI432	3/16" X 1/2" KEY	1



20 inch Disk Deck Lift Arms

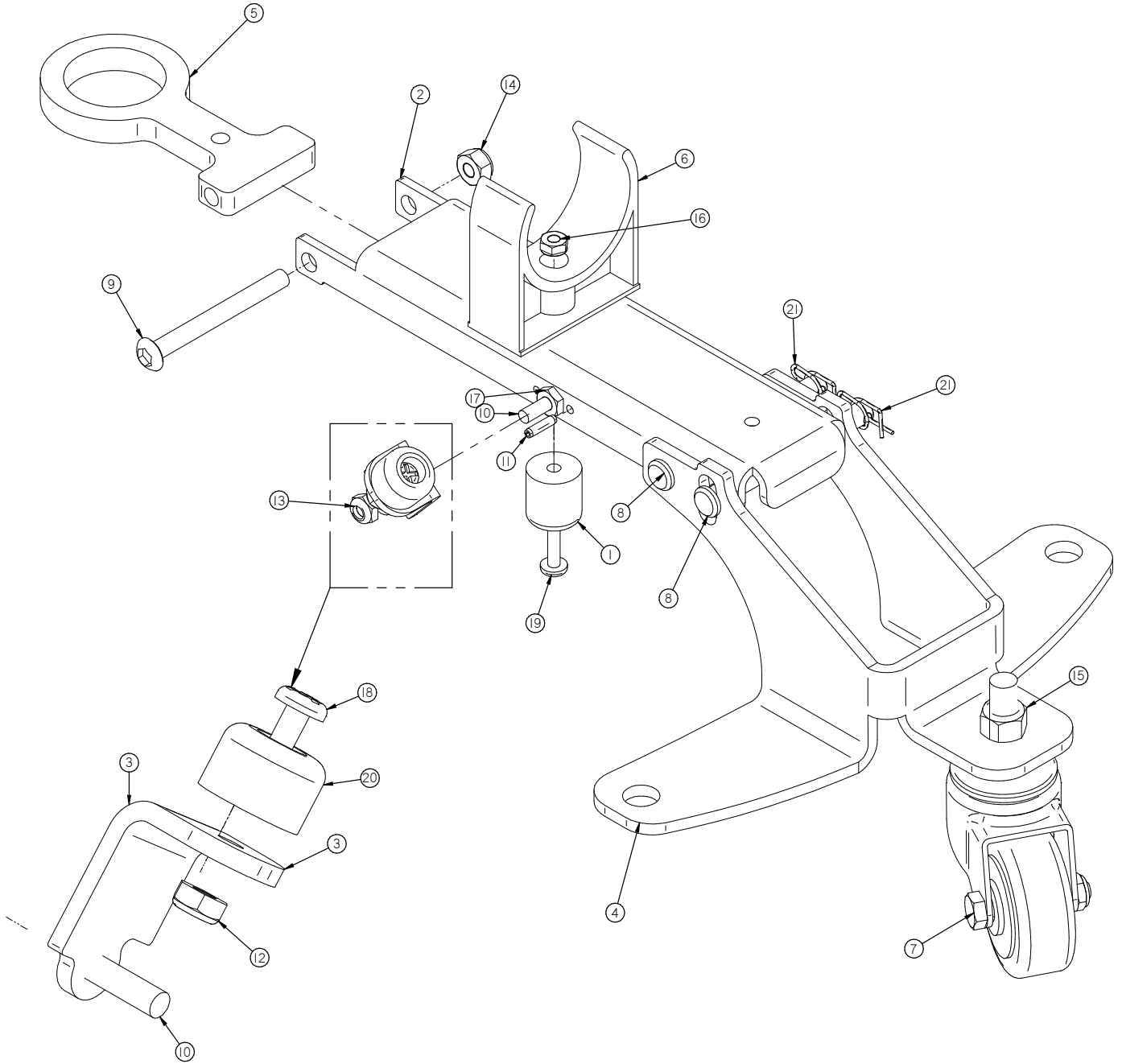
Item	Part No.	Part Description	Qty.
1	10-00	10" ADJUSTABLE LATERAL ARM BODY	1
2	150-9583	ADJUSTABLE ROD END (LH THREAD)	1
3	150-9584	ADJUSTABLE ROD END (RH TREAD)	1
4	220-2210D	2" STROKE ACTUATOR (24V 1200Nm)	1
5	220-9088	DECK ACTUATOR MOUNT	1
6	220-9696	DECK MOUNTING BRACKET	2
7	220-9700	LATERAL ARM	2
8	220-9746	DECK CENTER ARM	1
9	370-1247	BUSHING 5/16 X 1/2 X 3/16	2
10	H-0156950	7/16" X 3-1/2" CLEVIS PIN SS	1
11	H-0175075	LH HX JAM .50-20 SS	1
12	H-70834	HX JAM .50-20 SS	1
13	H-70860	NYLOK 1/4"- 20 SS	8
14	H-70861	NYLOK 5/16" - 18 SS	6
15	H-71013	FW 1/4 ID X 5/8 OD SS	4
16	H-71015	FW 5/16 ID X 3/4 OD SS	2
17	H-71071	LW 1/2" SS	2
18	H-74419	CB 1/4"- 20 X .75" SS	11
19	H-74430	CB 5/16"- 18 X 1" SS	1
20	H-RUE76	rue ring cotter .4375	1

20 inch Disk Deck

Item	Part No.	Part Description	Qty.
1	220-1125	20" FRONT CURTAIN BAND	1
2	220-1165	20 FRONT DECK CURTAIN	1
3	220-3115	MOTOR, 24V, 3/4 HP, 180 RPM	1
4	220-9735	Motor Swing Spacer	1
5	220-9737	Deck Motor Spacer	1
6	220-9744	20IN DISK DECK	1
7	220-9747	Shroud Post Cone	2
8	220-9748	Center Bushing Mount	1
9	220-9845	3 lobe 5/16-18 knob	1
10	264-5003	BRUSH DRIVER 8 LOBE	1
11	370-1247	BUSHING 5/16 X 1/2 X 3/16	1
12	H-04788	.50 NPT X .50 BARB	1
13	H-07005	1/2" NPT LOCKNUT	1
14	H-0953152	3/16" X 3/4" KEY	1
15	H-70055	HCS 5/16"- 18 X 1" SS	1
16	H-70860	NYLOK 1/4"- 20 SS	13
17	H-71013	FW 1/4 ID X 5/8 OD SS	5
18	H-71063	LW 1/4" SS	1
19	H-71065	LW 5/16" SS	1
20	H-71215	FNW 5/16 ID X 1-1/2 OD SS	1
21	H-73883	FHSCS 1/4- 20 X 1.0" S/S	2
22	H-74419	CB 1/4"- 20 X .75" SS	11
23	H-74430	CB 5/16"- 18 X 1" SS	1
24	H-74432	CB 5/16"- 18 X 1-1/2" SS	1
25	H-82550040	HCS 6MM X 40MM SS	5
26	H-98025	FW 3/8" GRADE 8	4
27	M-92125A234	FHSCS M6 X 10MM SS	1

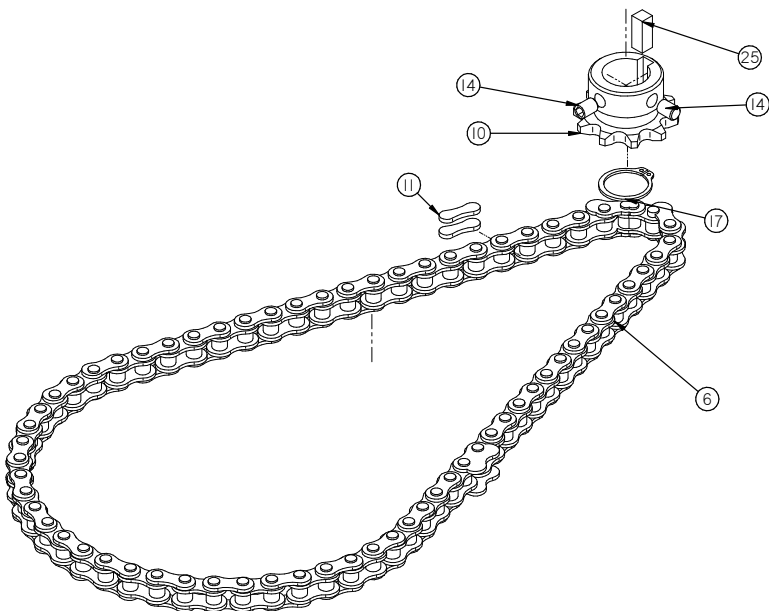
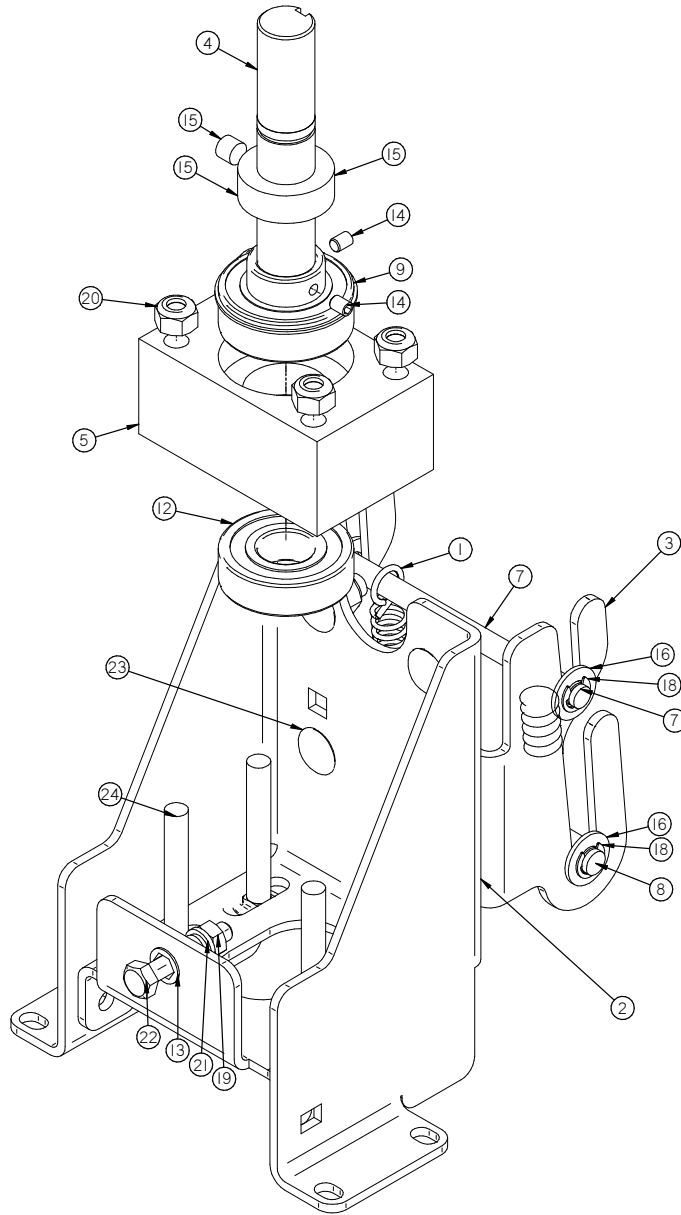
20 inch Disk Deck Shrouds

Item	Part No.	Part Description	Qty.
1	220-1140	Shroud Bracket LEFT	1
2	220-2139	20 inch shroud curtain	1
3	220-2140	DISK SHROUD CURTAIN BAND	1
4	H-70860	NYLOK 1/4"- 20 SS	5
5	H-71013	FW 1/4 ID X 5/8 OD SS	4
6	H-74418	CB 1/4"- 20 X 5/8" S/S	4



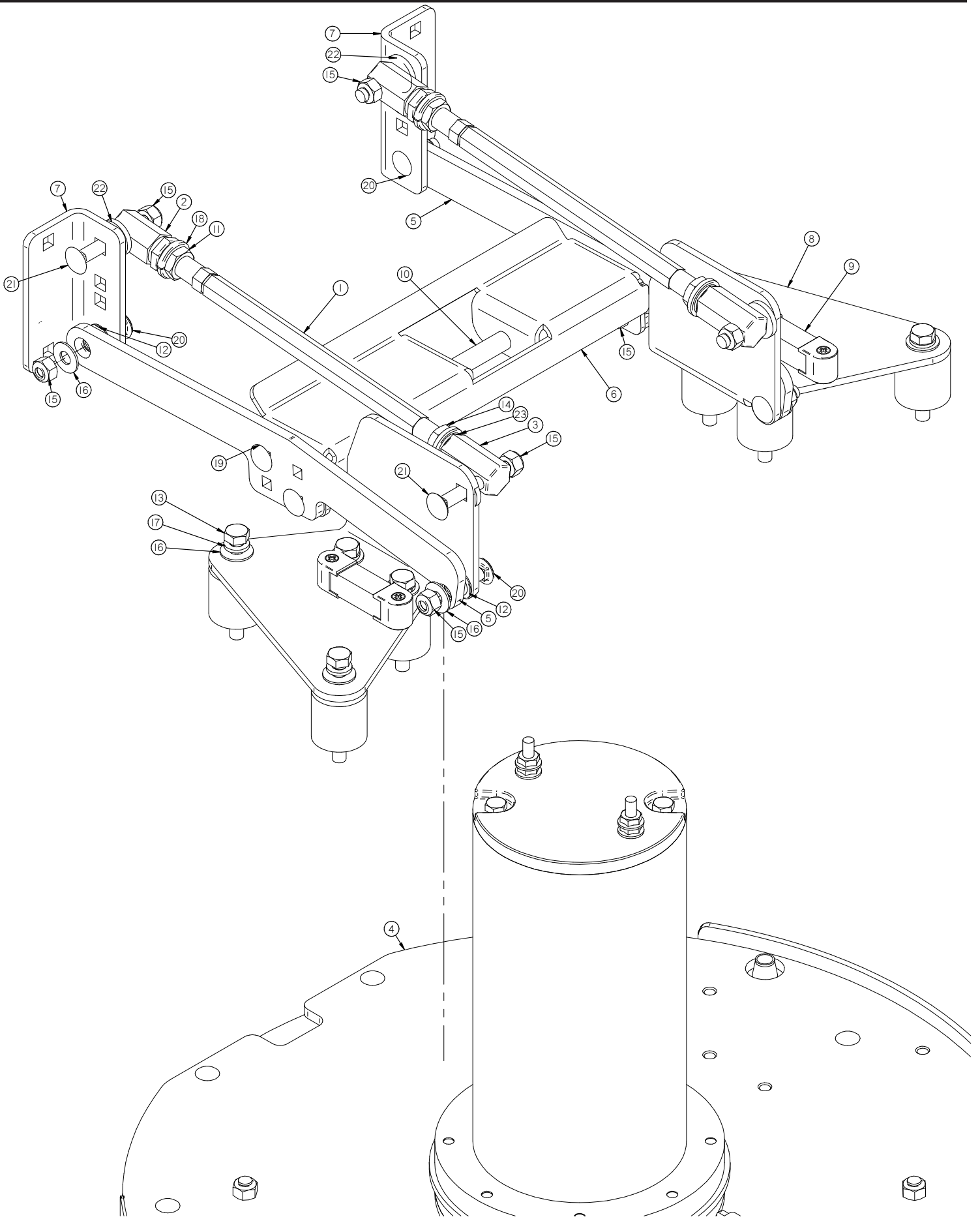
Disk Deck Squeegee trail arm

Item	Part No.	Part Description	Qty.
1	220-9540	Squeegee Arm Wear Button	1
2	220-9738	Center Swing Arm	1
3	220-9745	SQUEEGEE LIFT ARM	1
4	220-9757	SQUEEGEE MOUNTING PLATE	1
5	220-9759	SQUEEGEE PIVOT COLLAR	1
6	220-9846	PVC HOSE CLIP 2.0 Dia.	1
7	253-7570	CASTER	1
8	H-0156928	5/16" X 3" CLEVIS PIN	2
9	H-0171286	BHSCS 1/4 - 20 X 2-1/2 SS	1
10	H-0172520	CB #10-32 X 3/4" SS	1
11	H-64075	.125 OD .5 LONG ROLL PIN	1
12	H-70856	NYLOK #8-32 SS	1
13	H-70858	NYLOK #10-32 SS	1
14	H-70860	NYLOK 1/4"- 20 SS	1
15	H-70862	NYLOK 3/8"-16 SS	1
16	H-70922	KN #8-32	1
17	H-70923	KN #10-32 SS	1
18	H-72416	PPH #8-32 X 3/4" S/S	1
19	H-72419	PPH #8-32 X 1-1/4" S/S	1
20	H-9540	1/2" RUBBER BUMPER, 25/32	1
21	M-92391A730	Locking, for 5/16" Clevis Pin Diameter, 1-1/8" Long	2



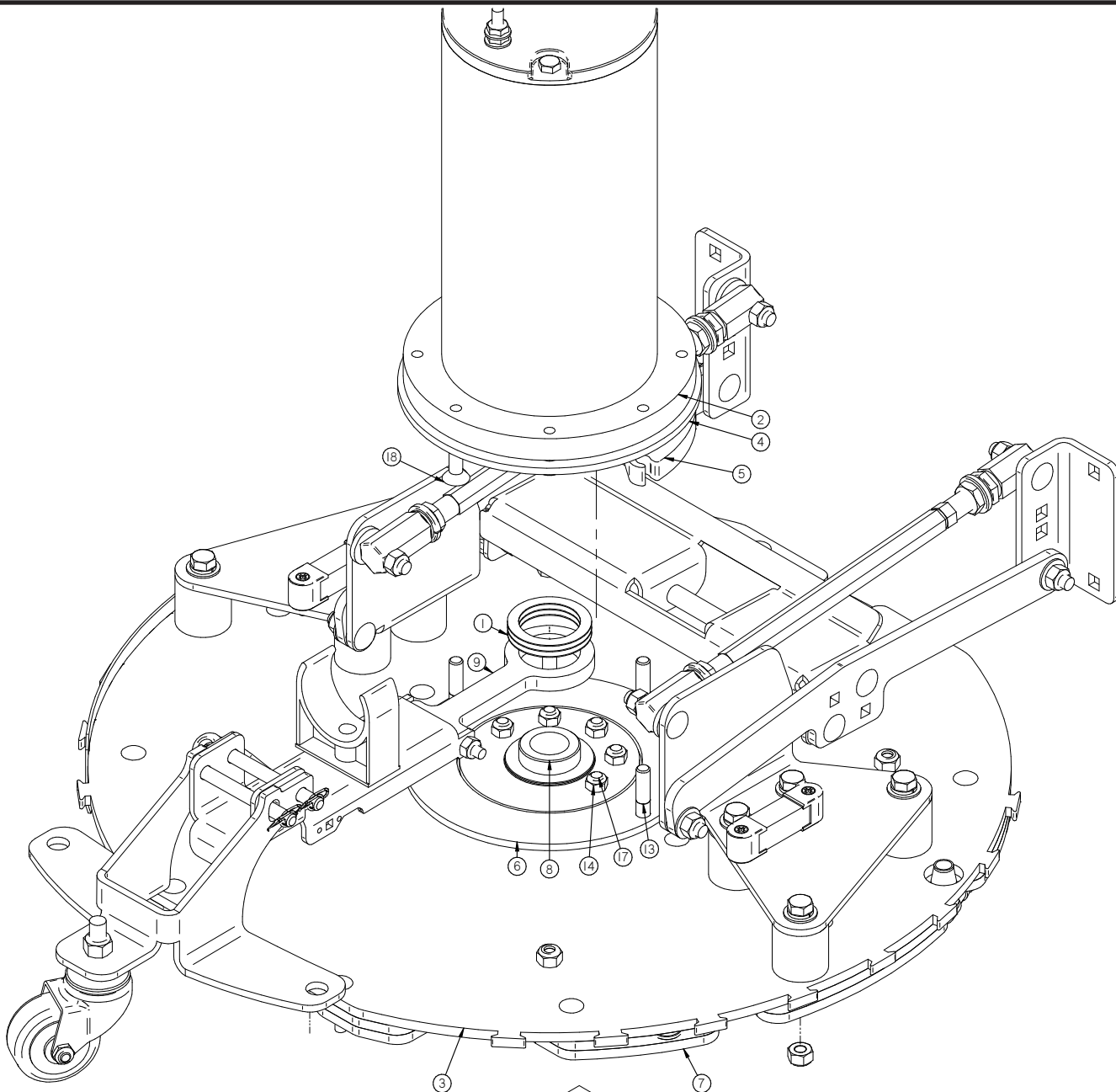
Actuator & Steering Tower

Item	Part No.	Part Description	Qty.
1	211-9729	1.75" Long, 0.5" OD, .063 Wire Dia	2
2	220-4029	STEERING BEARING/ACT. MOUNT	1
3	220-4030	Actuator & spring bracket	1
4	220-7120	LOWER STEERING SHAFT	1
5	220-7231	BEARING BLOCK	1
6	220-7327	48 TOOTH STEERING CHAIN	1
7	220-9727	Spring Pin	1
8	220-9728	Actuator Pin	1
9	349-7231	BEARING W/SET SCREW	1
10	5-826	10 TOOTH SPROCKET 5/8 SHAFT	1
11	5-831	MASTER LINK	1
12	8-723B	1-3/4 X 3/4" ROLLER BEARING	1
13	H-00918	HCN 1/4"-20 LG	1
14	H-25306	SSS CP #10-32 X 1/4"	4
15	H-33376	.75 ID SHAFT COLLAR WITH SET SCREW	1
16	H-4440024	FW 3/8" X 3/4" NYLON	3
17	H-68013	SNAPRING	1
18	H-68078	.3125 External Retaining Ring	2
19	H-70710	HN 1/4"- 20 SS	1
20	H-70861	NYLOK 5/16" - 18 SS	5
21	H-71063	LW 1/4" SS	1
22	H-71171	HCS .25-20 X 1.5 FULL THREAD SS	1
23	H-74429	CB 5/16"- 18 X 3/4" SS	3
24	H-74463	CB 5/16"- 18 X 2-1/4" SS	3
25	H-K1432	3/16" X 1/2" KEY	1

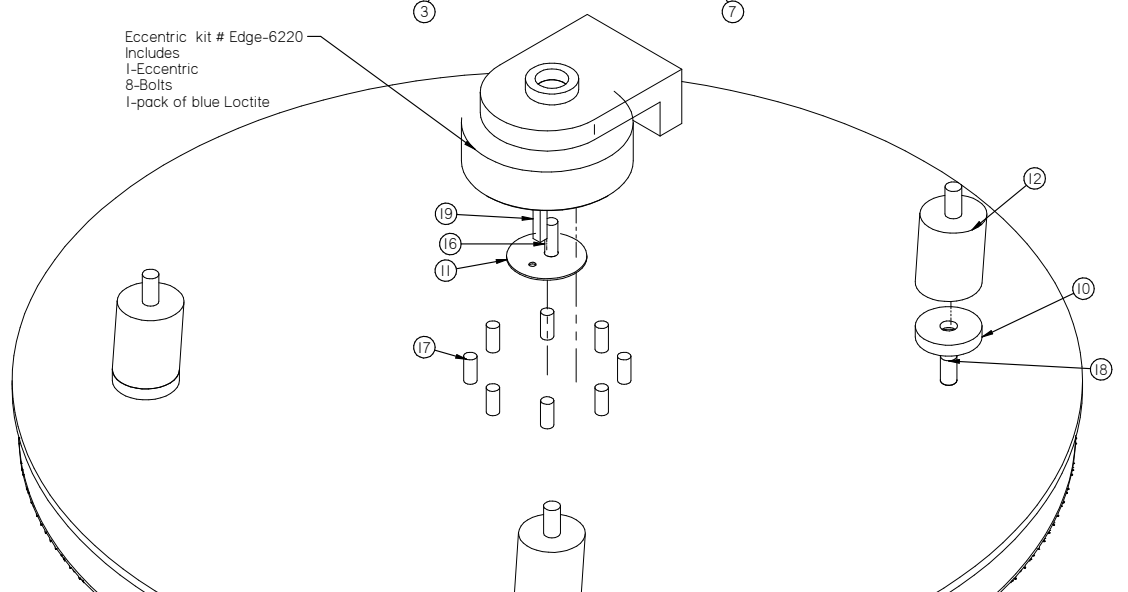


Orbital Deck Lift Arm

Item	Part No.	Part Description	Qty.
1	11-50-01	ADJUSTABLE LATERAL ARM BODY	2
2	150-9583	ADJUSTABLE ROD END (LH THREAD)	2
3	150-9584	ADJUSTABLE ROD END (RH TREAD)	2
4	220-4019	20 INCH SQUARE HEAD DECK	1
5	220-9600	LATERAL ARM	2
6	220-9646	DECK CENTER ARM	1
7	220-9696	DECK MOUNTING BRACKET	2
8	220-9719	Left Side Orbital Deck Bracket	1
9	300-4030	LEVEL	1
10	H-0156763	7/16" X 3-1/2" CLEVIS PIN	1
11	H-0175075	LH HX JAM .50-20 SS	2
12	H-5012	5/16" ID, 1/2" OD, 3/8" LG, FLANGE BEARING	2
13	H-70055	HCS 5/16"- 18 X 1" SS	1
14	H-70834	HX JAM .50-20 SS	2
15	H-70861	NYLOK 5/16" - 18 SS	24
16	H-71015	FW 5/16 ID X 3/4 OD SS	12
17	H-71065	LW 5/16" SS	1
18	H-71071	LW 1/2" SS	4
19	H-74429	CB 5/16"- 18 X 3/4" SS	1
20	H-74430	CB 5/16"- 18 X 1" SS	4
21	H-74432	CB 5/16"- 18 X 1-1/2" SS	4
22	H-98025	FW 3/8" GRADE 8	4
23	M-98126A739	SHIM, 1/2" ID X 3/4" OD X 1/16" THICK, S/S	4

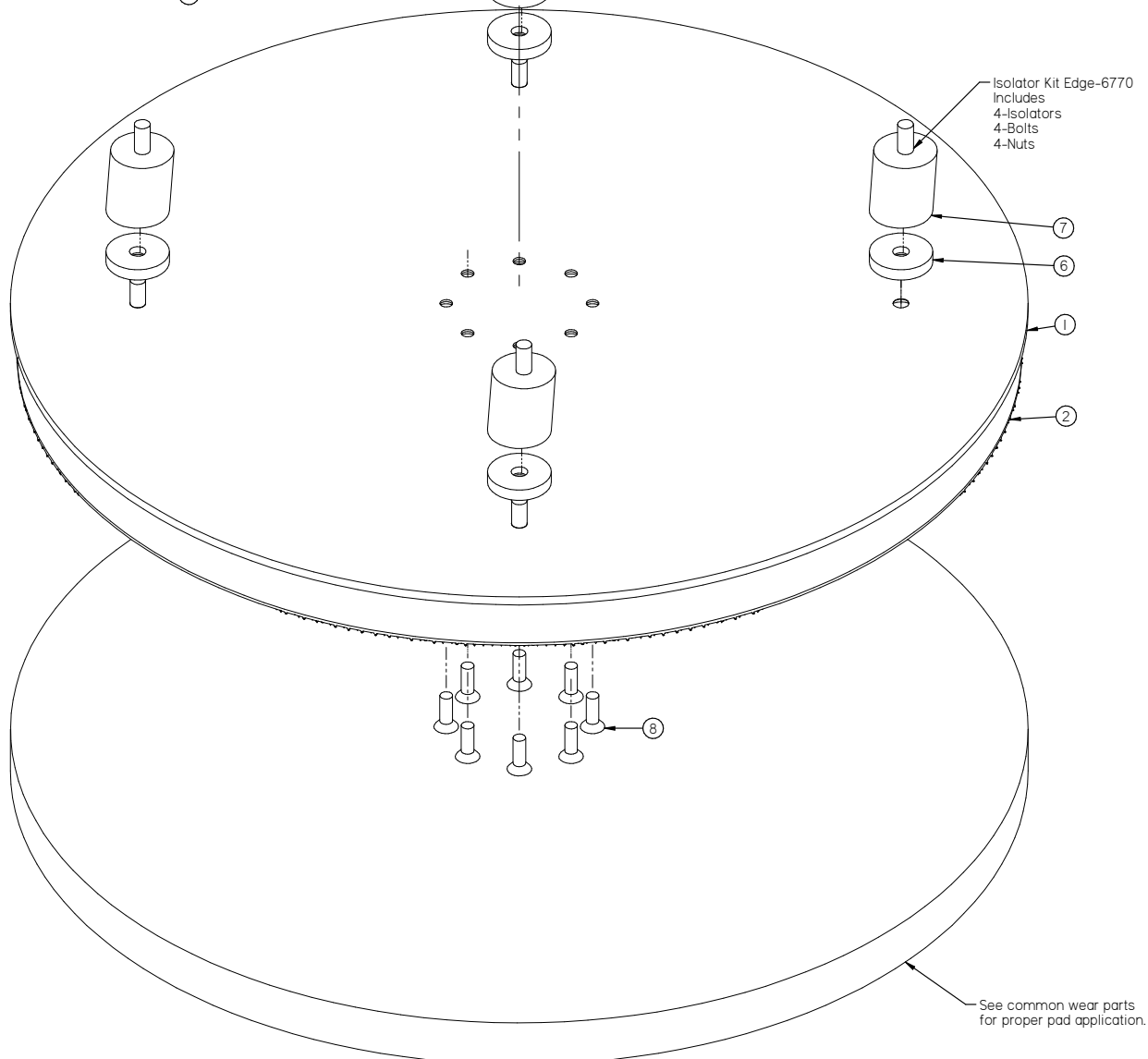
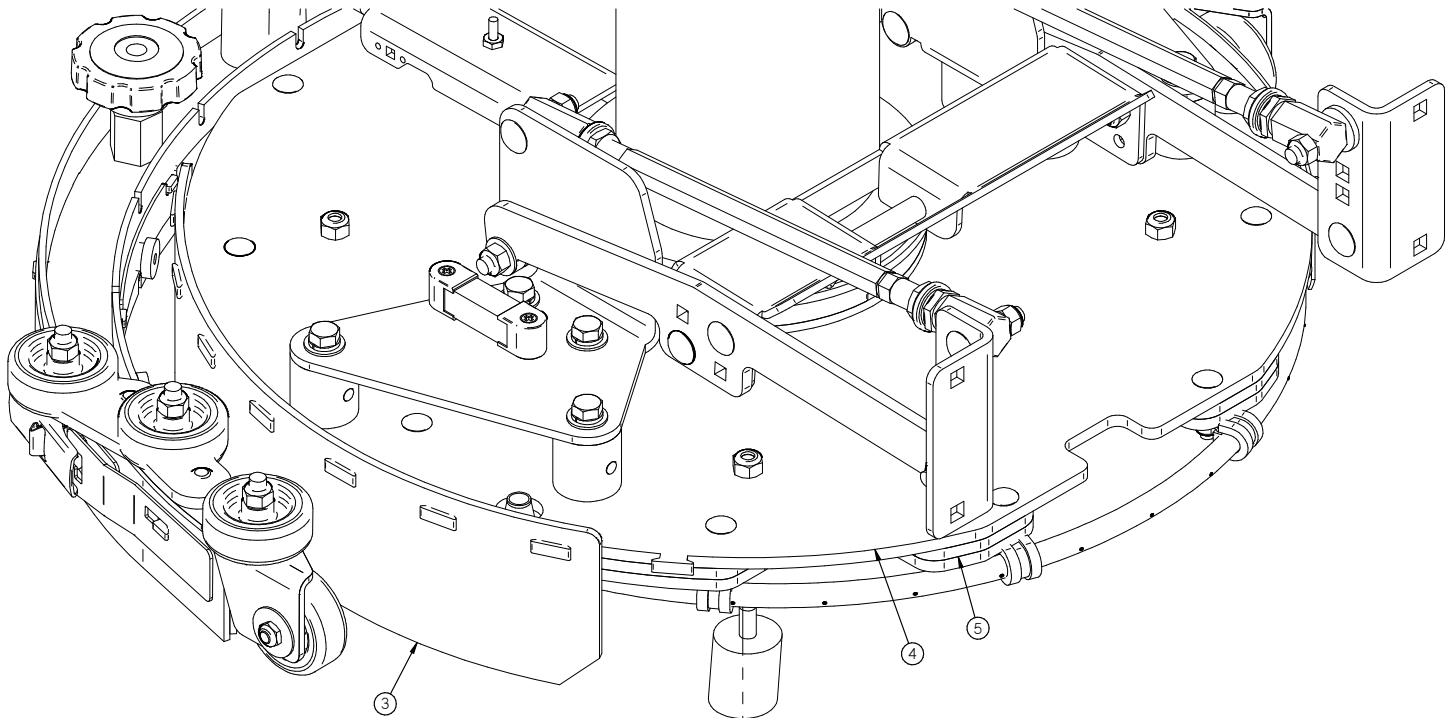


Eccentric kit # Edge-6220
Includes
1-Eccentric
8-Bolts
1-pack of blue Loctite



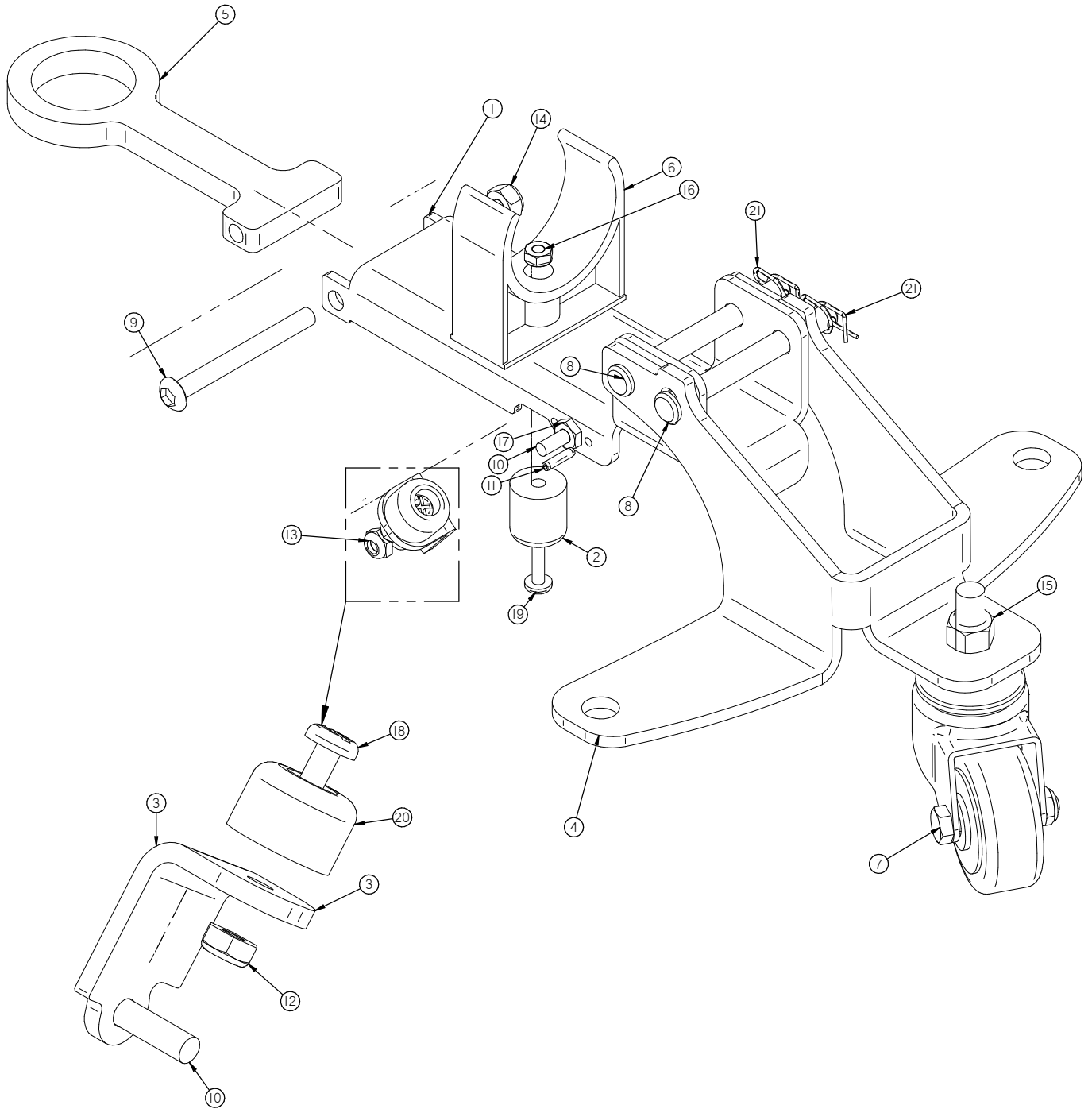
Orbital Deck Motor and Eccentric

Item	Part No.	Part Description	Qty.
1		SHIM 1.375 ID X 1.875 OD X .025 SS.par	3
2	220-2110	MOTOR 2 HP 2000 RPM 24V	1
3	220-4019	20 INCH SQUARE HEAD DECK	1
4	220-8735	Motor Swing Spacer	1
5	220-8737	Deck Motor Spacer	1
6	220-8747	Center Bushing Mount	1
7	220-9691	26 LB LOWER WEIGHT	1
8	220-9748	Center Bushing Mount	1
9	220-9832	ORBITAL SQUEEGEE PIVOT BLOCK	1
10	264-1033	1/4" SPACER	1
11	300-01030Z	CRUSH WASHER	1
12	300-3032	1-1/4X1-1/2X5/16-18 (50D) ISOLATOR	4
13	H-70060	HCS 5/16"- 18 X 1-3/4" SS	5
14	H-70860	NYLOK 1/4"- 20 SS	5
15*	H-71065	LW 5/16" SS	5
16	H-73754	BHSCS 1/4 - 20 X 3/4" SS	1
17	H-73882	FHSCS 1/4- 20 X 3/4" S/S	13
18	H-73907	FHSCS 5/16"- 18 X 3/4" SS	7
19	H-K14320	3/16" X 1 1/4" KEY	1



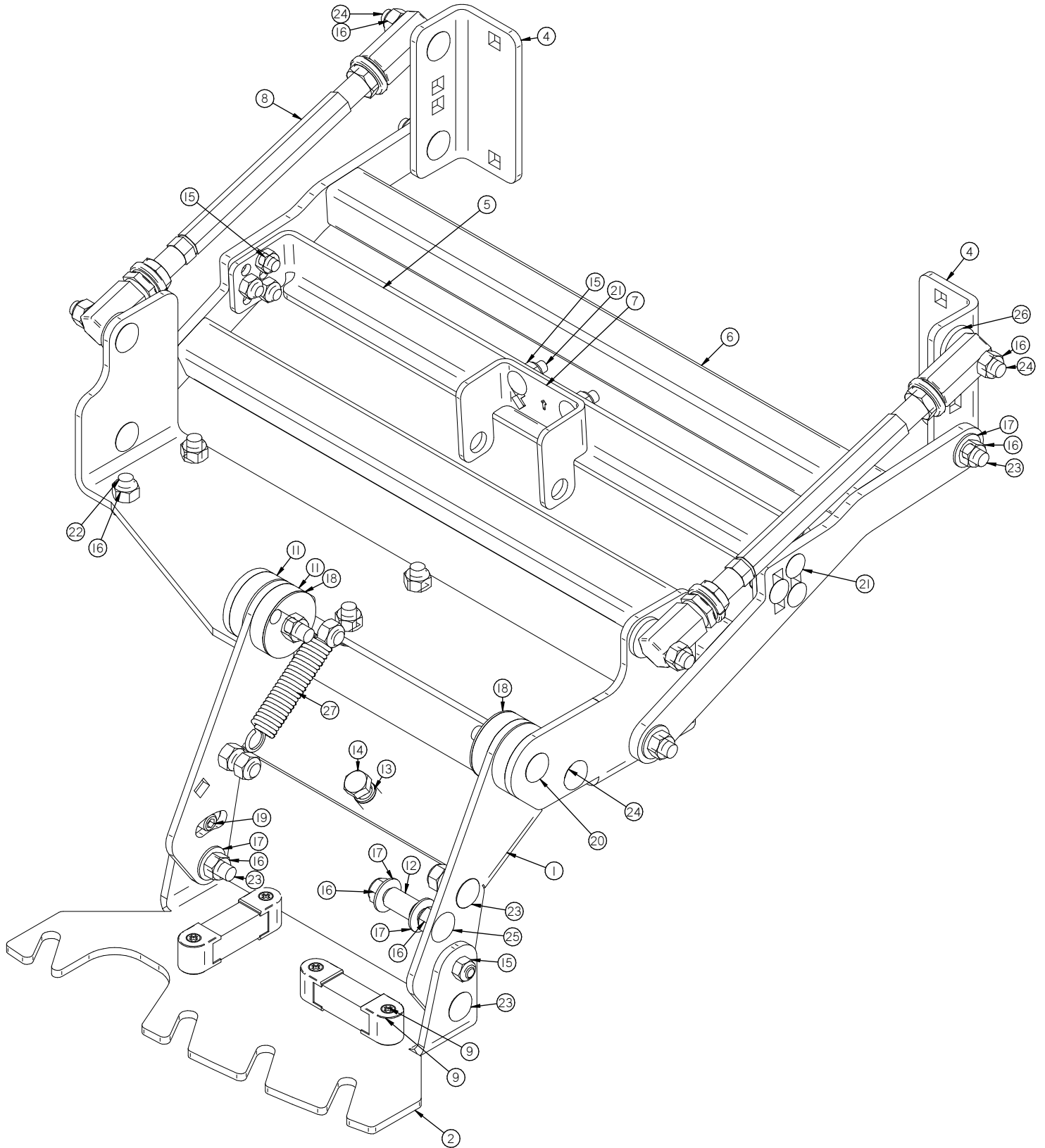
Orbital Deck Pad Driver

Item	Part No.	Part Description	Qty.
1	220-1020	20 INCH ALUMINUM PAD DRIVER	1
2	220-1037	20 INCH GRIP FACE	1
3	220-2138	DECK WIPER	1
4	220-4019	20 INCH SQUARE HEAD DECK	1
5	220-9691	26 LB LOWER WEIGHT	1
6	264-1033	1/4" SPACER	4
7	300-3032	1-1/4X1-1/2X5/16-18 (50D) ISOLATOR	4
8	H-73882	FHSCS 1/4- 20 X 3/4" S/S	8



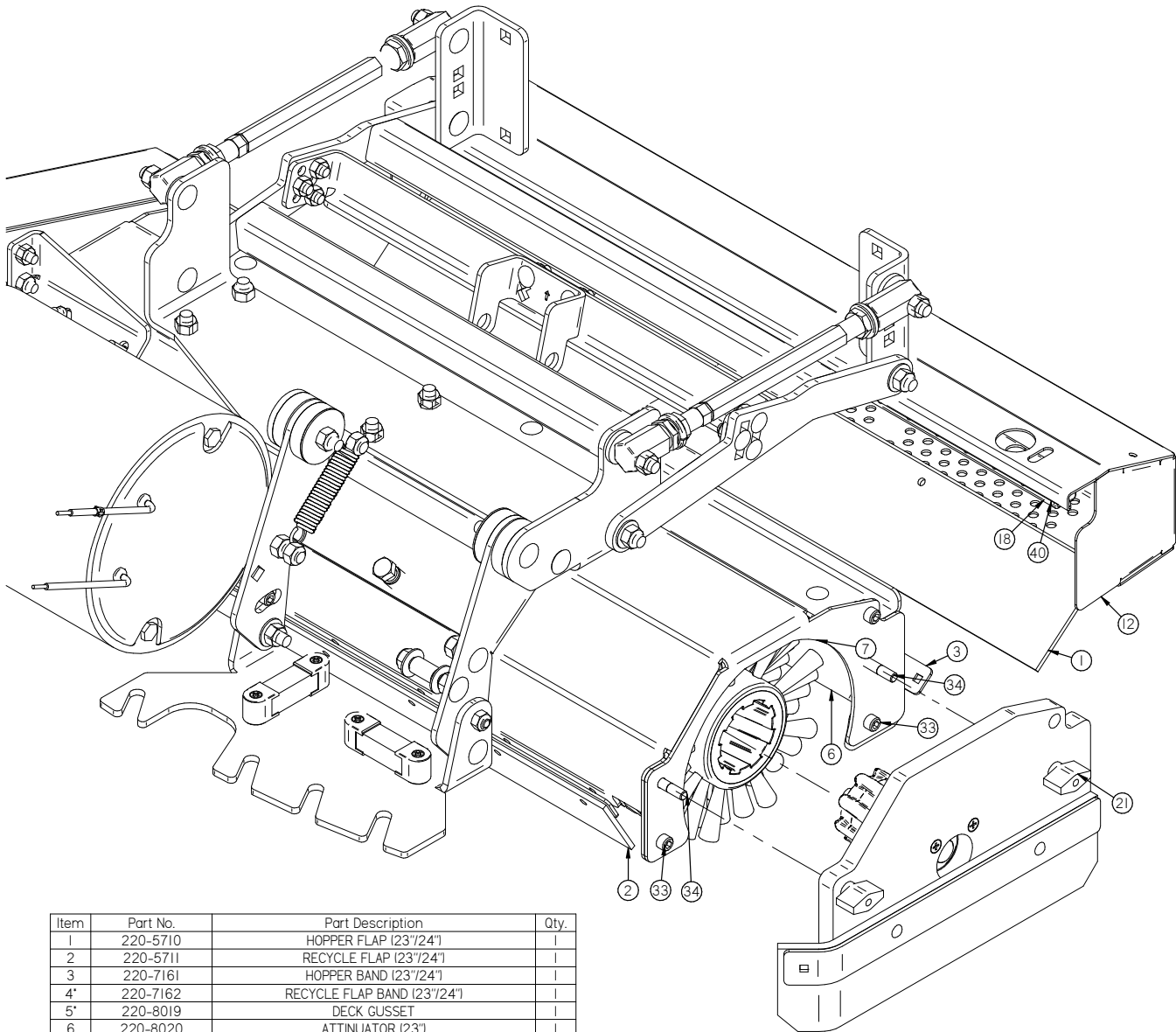
Orbital Deck Squeegee trail arm

Item	Part No.	Part Description	Qty.
1	220-8738	Center Swing Arm	1
2	220-9540	Squeegee Arm Wear Button	1
3	220-9745	SQUEEGEE LIFT ARM	1
4	220-9757	SQUEEGEE MOUNTING PLATE	1
5	220-9832	ORBITAL SQUEEGEE PIVOT BLOCK	1
6	220-9846	PVC HOSE CLIP 2.0 Dia.	1
7	253-7570	CASTER	1
8	H-0156928	5/16" X 3" CLEVIS PIN	2
9	H-0171286	BHSCS 1/4 - 20 X 2-1/2 SS	1
10	H-0172520	CB #10-32 X 3/4" SS	1
11	H-64075	.125 OD .5 LONG ROLL PIN	1
12	H-70856	NYLOK #8-32 SS	1
13	H-70858	NYLOK #10-32 SS	1
14	H-70860	NYLOK 1/4"- 20 SS	1
15	H-70862	NYLOK 3/8"-16 SS	1
16	H-70922	KN #8-32	1
17	H-70923	KN #10-32 SS	1
18	H-72416	PPH #8-32 X 3/4" S/S	1
19	H-72419	PPH #8-32 X 1-1/4" S/S	1
20	H-9540	1/2" RUBBER BUMPER, 25/32	1
21	M-92391A730	Locking, for 5/16" Clevis Pin Diameter, 1-1/8" Long	2



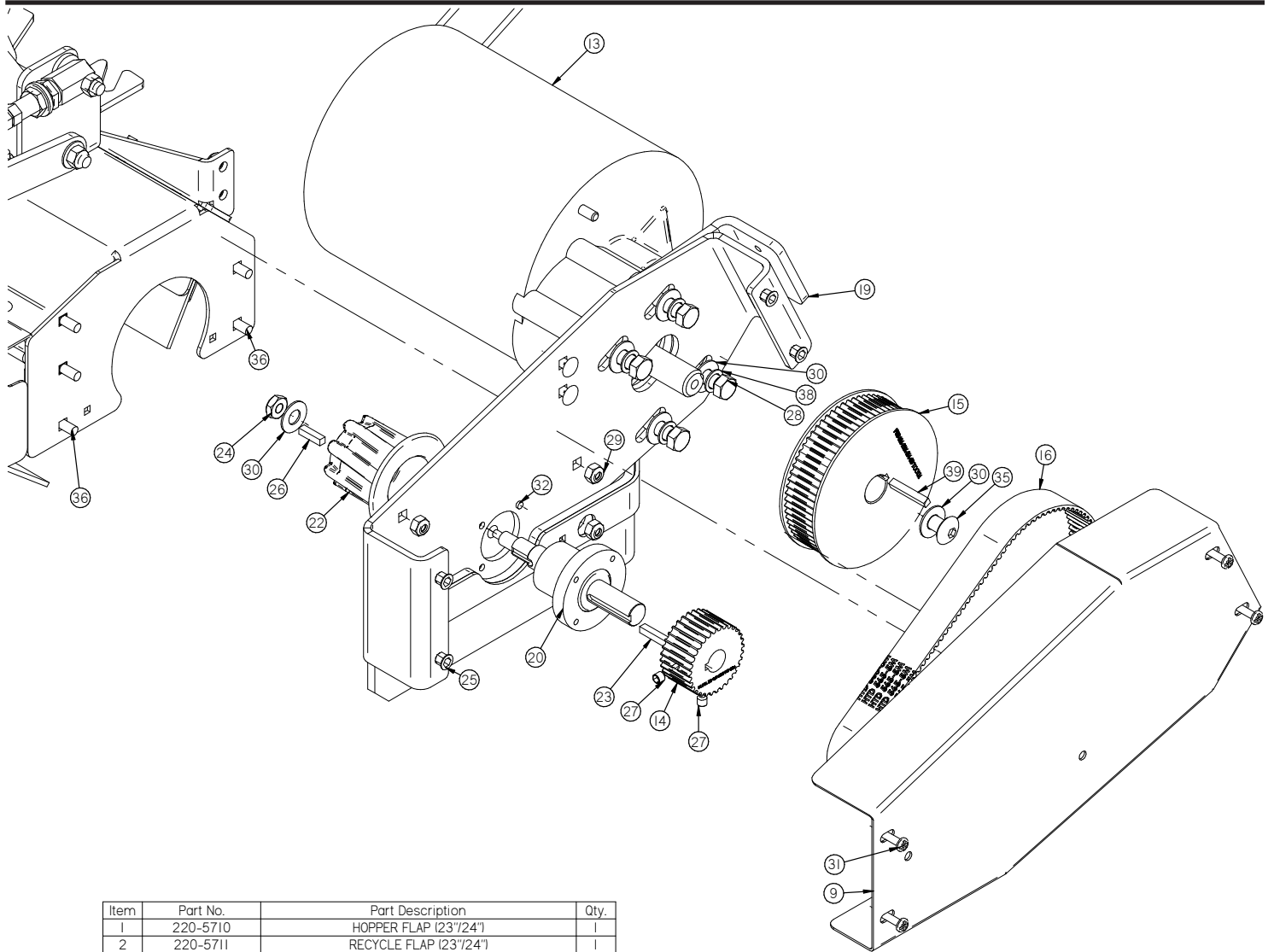
Cylindrical Deck Lift Arm

Item	Part No.	Part Description	Qty.
1	220-7140	SQUEEGEE SWING PLATE	1
2	220-7153	SQUEEGEE TRIANGLE PLATE	1
3*	220-9062	LIFTING BRACKET	1
4	220-9696	DECK MOUNTING BRACKET	2
5	220-9702	DECK CENTER ARM	1
6	220-9703	CYLINDRICAL H-ARM	1
7	220-9704	DECK ACTUATOR MOUNT	1
8	264-8431	ADJUSTABLE LATERAL ARM	2
9	300-4030	LEVEL	2
10*	370-1247	BUSHING 5/16 X 1/2 X 3/16	6
11	4-446	GROMMET-3/8 ID X 1-1/2 OD X .375	4
12	H-0434665	SLEEVE, .4395 OD X .375 ID X .75 LG	1
13	H-312HCN	HCN 5/16"-18	1
14	H-70055	HCS 5/16"- 18 X 1" SS	1
15	H-70860	NYLOK 1/4"- 20 SS	10
16	H-70861	NYLOK 5/16" - 18 SS	28
17	H-71015	FW 5/16 ID X 3/4 OD SS	8
18	H-71215	FNW 5/16 ID X 1-1/2 OD SS	2
19	H-73459	SHCS 1/4-20 X 1/2 SS	2
20	H-74401	CB 5/16"- 18 X 1-3/4" SS	2
21	H-74419	CB 1/4"- 20 X .75" SS	8
22	H-74429	CB 5/16"- 18 X 3/4" SS	6
23	H-74430	CB 5/16"- 18 X 1" SS	8
24	H-74432	CB 5/16"- 18 X 1-1/2" SS	6
25	H-74433	CB 5/16"- 18 X 2" SS	1
26	H-98025	FW 3/8" GRADE 8	4
27	M-9628K8	SPRING, 3-1/4" LG X 9/16" OD (42E)	2

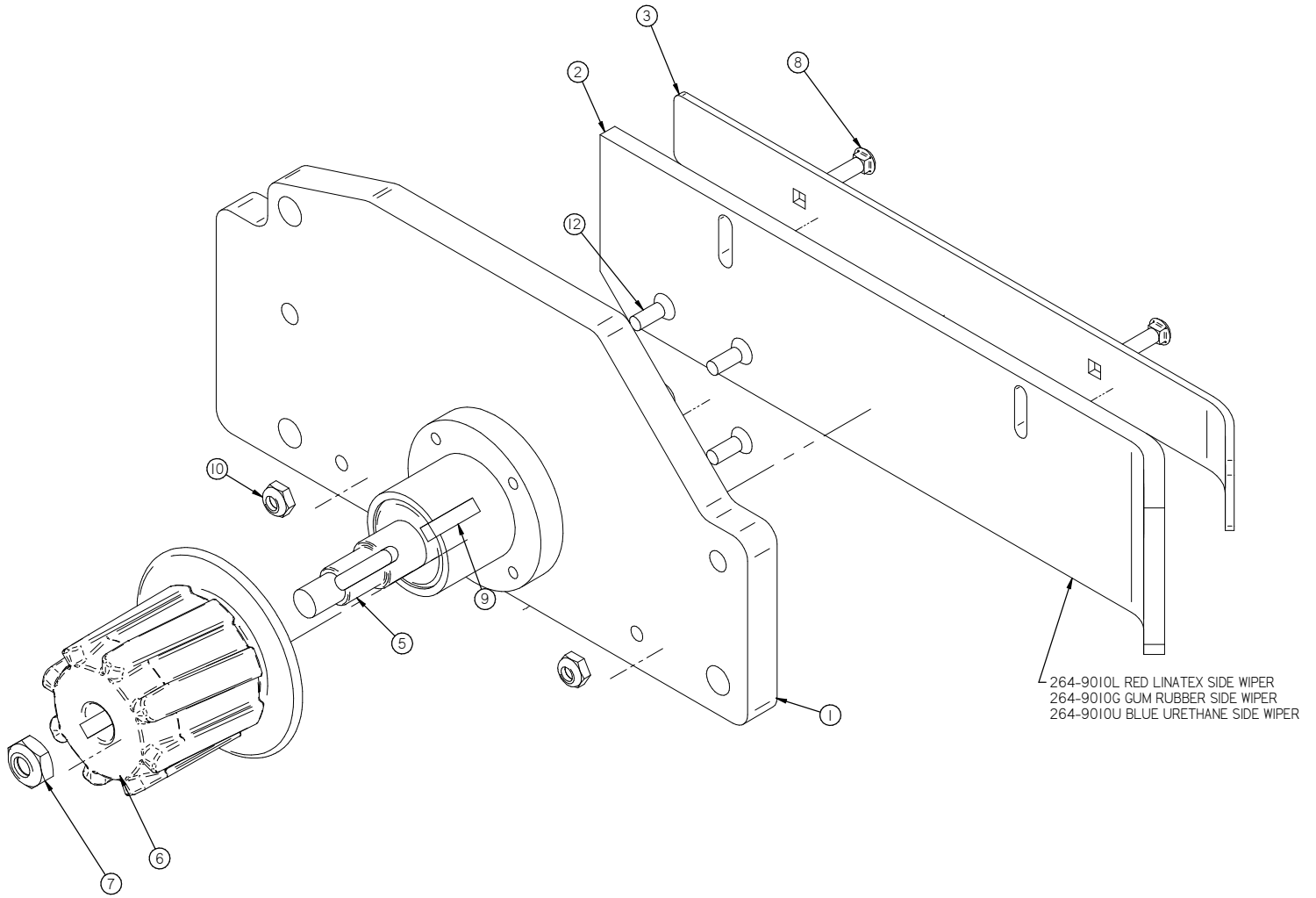


Item	Part No.	Part Description	Qty.
1	220-5710	HOPPER FLAP (23"/24")	1
2	220-5711	RECYCLE FLAP (23"/24")	1
3	220-7161	HOPPER BAND (23"/24")	1
4	220-7162	RECYCLE FLAP BAND (23"/24")	1
5	220-8019	DECK GUSSET	1
6	220-8020	ATTENUATOR (23")	1
7	220-8021	23" SINGLE BRUSH SHELL	1
8	220-8023	SINGLE BRUSH SIDE SUPPORT	1
9	220-8026	DRIVE COVER	1
10	220-9011	CYLINDRICAL WIPER	1
11	220-9016	WIPER BAND	1
12	220-9049	23" HOPPER	1
13	253-2222	MOTOR, 24V, 1.0 HP, 350 RPM	1
14	253-8215	TIMING SPROCKET 32 TOOTH	1
15	253-8225	TIMING SPROCKET 68 TOOTH	1
16	253-8230	565-5M TIMING BELT	1
17	253-9024	THUMB SCREW	2
18	260-5024	SOLUTION FEED TUBE (24")	1
19	260-9001	MOTOR ADJ BRACKET	1
20	370-8240A	BEARING HOUSING/BEARING	1
21	5-418A	CLAMPING KNOB	2
22	600-8370	SPIRAL CYLINDRICAL DRIVER	1
23	H-01125	3/16" X 1" KEY	1
24	H-0171004	JNYL 3/8- 24 SS	2
25	H-02309	HCN #10-32, LG CRIMP	4
26	H-0953152	3/16" X 3/4" KEY	1
27	H-25379	SETScrew, KCP, 1/4"-20 X 1/4"	4
28	H-70105	HCS 3/8"- 16 X 1" SS	4
29	H-70860	NYLOK 1/4"- 20 SS	15
30	H-71017	FW 3/8 ID X 7/8 OD SS	6
31	H-72517	PPH #10-32 X 5/8" SS	4
32	H-72682	FHP #10-32 X 1/2" SS	4
33	H-73459	SHCS 1/4"-20 X 1/2" SS	3
34	H-73462	SHCS 1/4"-20 X 1.0 SS	2
35	H-73811	BHSCS 3/8"- 16 X 1/2" SS	1
36	H-74418	CB 1/4"- 20 X 5/8" S/S	5
37	H-74419	CB 1/4"- 20 X .75" SS	7
38	H-90895	WASHER, SERRATED BELLEVILLE, 3/8", S/S	4
39	H-K14320	3/16" X 1 1/4" KEY	1
40	M-9565K5	3/4 X 3/4 SQ TUBE PLUG	2

Cylindrical deck

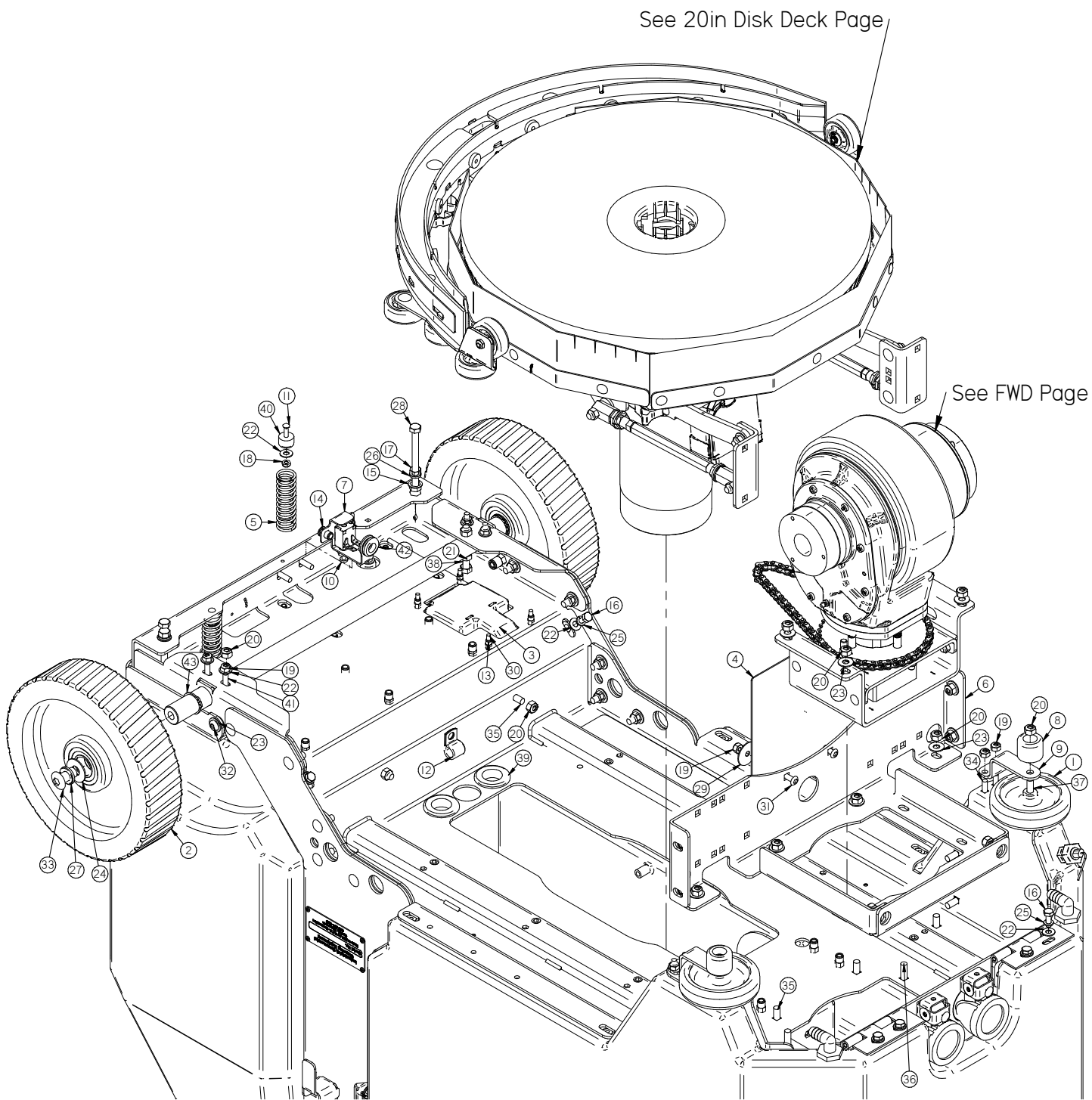


Item	Part No.	Part Description	Qty.
1	220-5710	HOPPER FLAP (23"/24")	1
2	220-5711	RECYCLE FLAP (23"/24")	1
3	220-7161	HOPPER BAND (23"/24")	1
4	220-7162	RECYCLE FLAP BAND (23"/24")	1
5	220-8019	DECK GUSSET	1
6	220-8020	ATTENUATOR (23")	1
7	220-8021	23" SINGLE BRUSH SHELL	1
8	220-8023	SINGLE BRUSH SIDE SUPPORT	1
9	220-8026	DRIVE COVER	1
10	220-9011	CYLINDRICAL WIPER	1
11	220-9016	WIPER BAND	1
12	220-9049	23" HOPPER	1
13	253-2222	MOTOR, 24V, 1.0 HP, 350 RPM	1
14	253-8215	TIMING SPROCKET 32 TOOTH	1
15	253-8225	TIMING SPROCKET 68 TOOTH	1
16	253-8230	565-5M TIMING BELT	1
17	253-9024	THUMB SCREW	2
18	260-5024	SOLUTION FEED TUBE (24")	1
19	260-9001	MOTOR ADJ BRACKET	1
20	370-8240A	BEARING HOUSING/BEARING	1
21	5-418A	CLAMPING KNOB	2
22	600-8370	SPIRAL CYLINDRICAL DRIVER	1
23	H-01125	3/16" X 1" KEY	1
24	H-0171004	JNYL 3/8- 24 SS	2
25	H-02309	HCN #10-32, LG CRIMP	4
26	H-0953152	3/16" X 3/4" KEY	1
27	H-25379	SETSCREW, KCP, 1/4"-20 X 1/4"	4
28	H-70105	HCS 3/8"- 16 X 1" SS	4
29	H-70860	NYLOK 1/4"- 20 SS	15
30	H-71017	FW 3/8 ID X 7/8 OD SS	6
31	H-72517	PPH #10-32 X 5/8" SS	4
32	H-72682	FHP #10-32 X 1/2" SS	4
33	H-73459	SHCS 1/4-20 X 1/2 SS	3
34	H-73462	SHCS 1/4-20 X 1.0 SS	2
35	H-73811	BHSCS 3/8"- 16 X 1/2" SS	1
36	H-74418	CB 1/4"- 20 X 5/8" S/S	5
37	H-74419	CB 1/4"- 20 X .75" SS	7
38	H-90895	WASHER, SERRATED BELLEVILLE, 3/8", S/S	4
39	H-K14320	3/16" X 1 1/4" KEY	1
40	M-9565K5	3/4 X 3/4 SQ TUBE PLUG	2



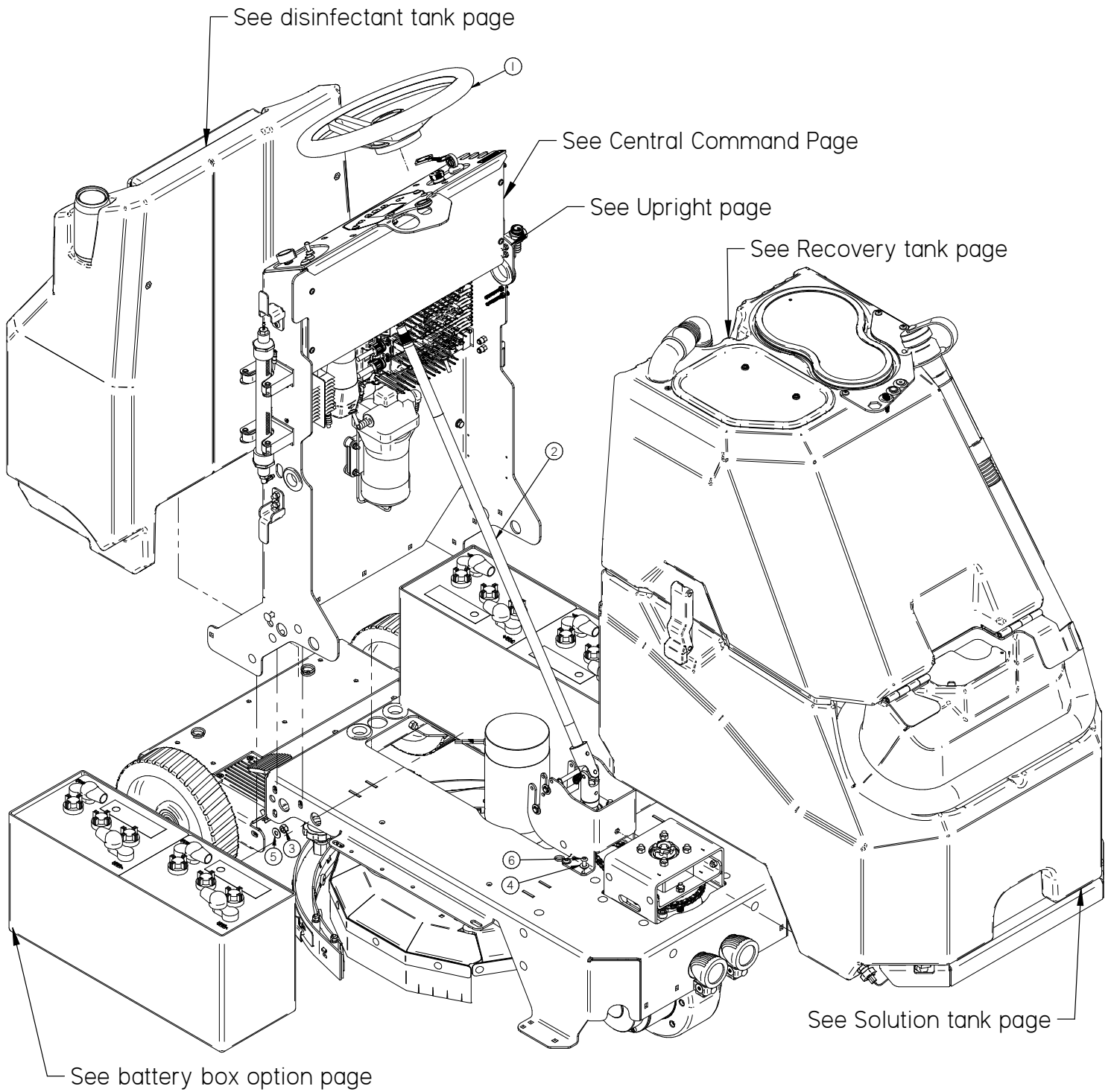
Cylindrical Idler Door

Item	Part No.	Part Description	Qty.
1	220-8025	IDLER DOOR	1
2	220-9010	CYLINDRICAL WIPER	1
3	220-9015	WIPER BAND	1
4*	260-8370	SPIRAL CYLINDRICAL DRIVER	1
5	370-8241A	IDLER DRIVE BEARING	1
6	600-8371	8 SPLINE CYLINDRICAL DRIVER (HARDCOAT)	1
7	H-0171004	JNYL 3/8- 24 SS	1
8	H-0172520	CB #10-32 X 3/4" SS	2
9	H-0953152	3/16" X 3/4" KEY	1
10	H-70858	NYLOK #10-32 SS	2
11*	H-71017	FW 3/8 ID X 7/8 OD SS	1
12	H-72682	FHP #10-32 X 1/2" SS	4

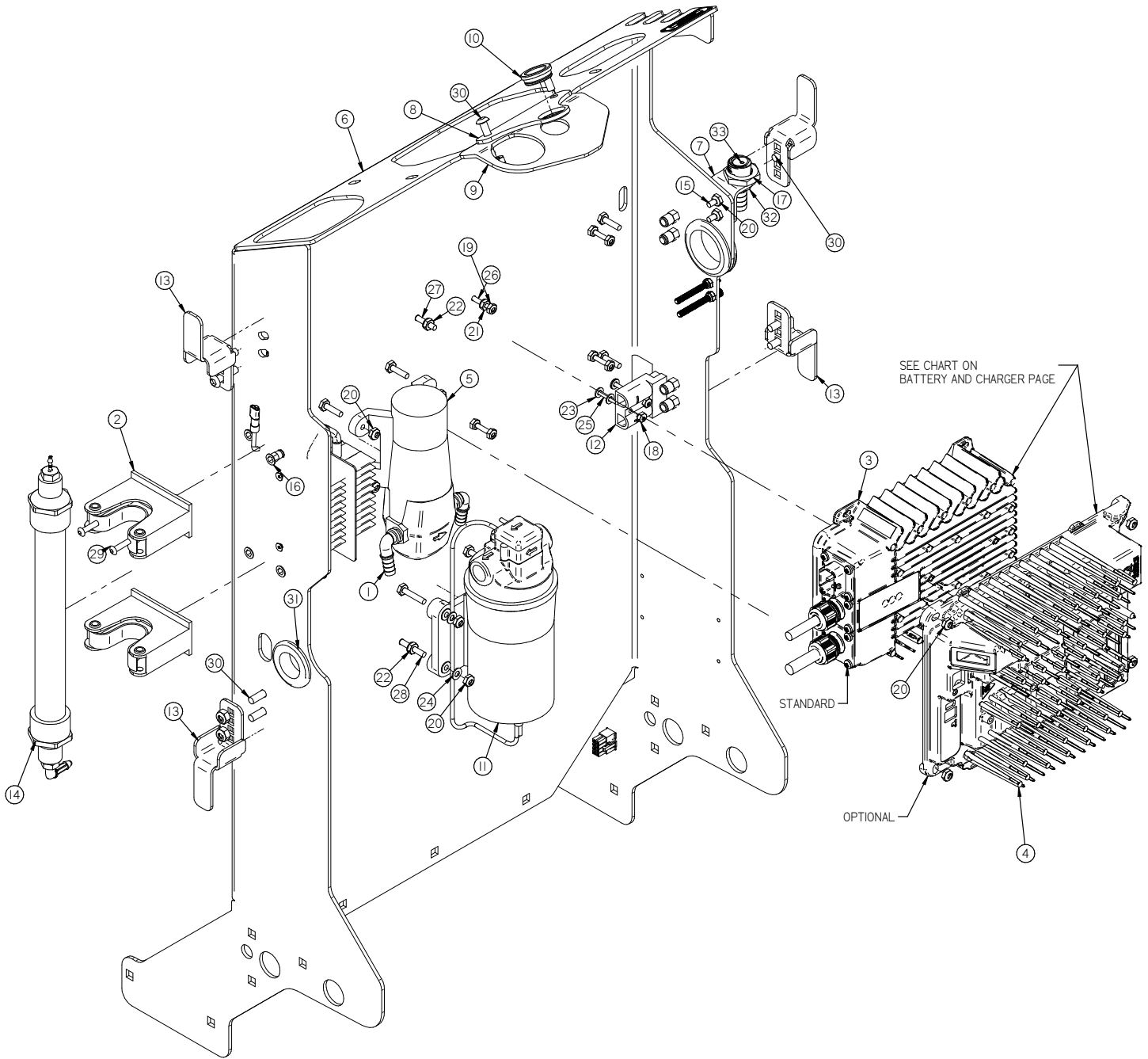


Attaching Front Wheel Deck and Rear Axle

Item	Part No.	Part Description	Qty.
1	150-7600	4" SIDE WHEEL (GREY)	1
2	211-6196	250 MM WHEEL (GRAY)	1
3	211-7430	Foot Pedal 24v	1
4	211-9120	FWD MUD FLAP	1
5	220-7242	SPRING, 3/4" ID X 3" LG	2
6	220-7420	FRONT WALL	1
7	220-9729	Operator Petal Switch Bracket	1
8	220-9764	HDPE Bumper 1" Tall	1
9	220-9765	Corner Roller Bracket	1
10	4-231	SAFETY SHUTOFF SWITCH	1
11	H-0172521	CB #10-32 X 1" SS	1
12	H-0708770	9/16" DIA VNYL LOOP CLAMP	1
13	H-1032HCN	HCN #10-32	1
14	H-250HCN	HCN 1/4"-20	2
15	H-312HCN	HCN 5/16"-18	2
16	H-70003	HCS 1/4"-20 X 3/4" SS	10
17	H-70711	HN 5/16"- 18 SS	1
18	H-70858	NYLOK #10-32 SS	4
19	H-70860	NYLOK 1/4"- 20 SS	3
20	H-70861	NYLOK 5/16" - 18 SS	5
21	H-70926	KN 15/16-18 S/S	2
22	H-71013	FW 1/4 ID X 5/8 OD SS	12
23	H-71015	FW 5/16 ID X 3/4 OD SS	3
24	H-71021	FW 1/2 ID X 1-1/4 OD SS	2
25	H-71063	LW 1/4" SS	10
26	H-71065	LW 5/16" SS	1
27	H-71071	LW 1/2" SS	2
28	H-71185	HCS .312-18 X 3.5 FULL THREAD SS	2
29	H-71213	FNW 1/4" X 1-1/4" SS	1
30	H-72685	FHP 10-32 X 1" SS	1
31	H-73754	BHSCS 1/4 - 20 X 3/4" SS	1
32	H-73780	BHSCS 5/16-18 X 1	1
33	H-73834	BHSCS 1/2- 13 X 1" SS	2
34	H-74419	CB 1/4"- 20 X .75" SS	1
35	H-74429	CB 5/16"- 18 X 3/4" SS	3
36	H-74430	CB 5/16"- 18 X 1" SS	1
37	H-74433	CB 5/16"- 18 X 2" SS	1
38	H-74434	CB 5/16"- 18 X 2.75" SS	1
39	H-9307K74	GROMMET, 1" ID X 1-3/4" OD BUNA-N	2
40	H-9540	1/2" RUBBER BUMPER, 25/32	4
41	M-3043T13	1/4-20 X 1.0" U-BOLT	2
42	M-9307K23	GROMMET, RUBBER 3/8 ID X 7/8 OD X 1/8 TH FOR 1/8"	1
43	M-98585A121	1 INCH EXTERNAL RETAINING RING	3

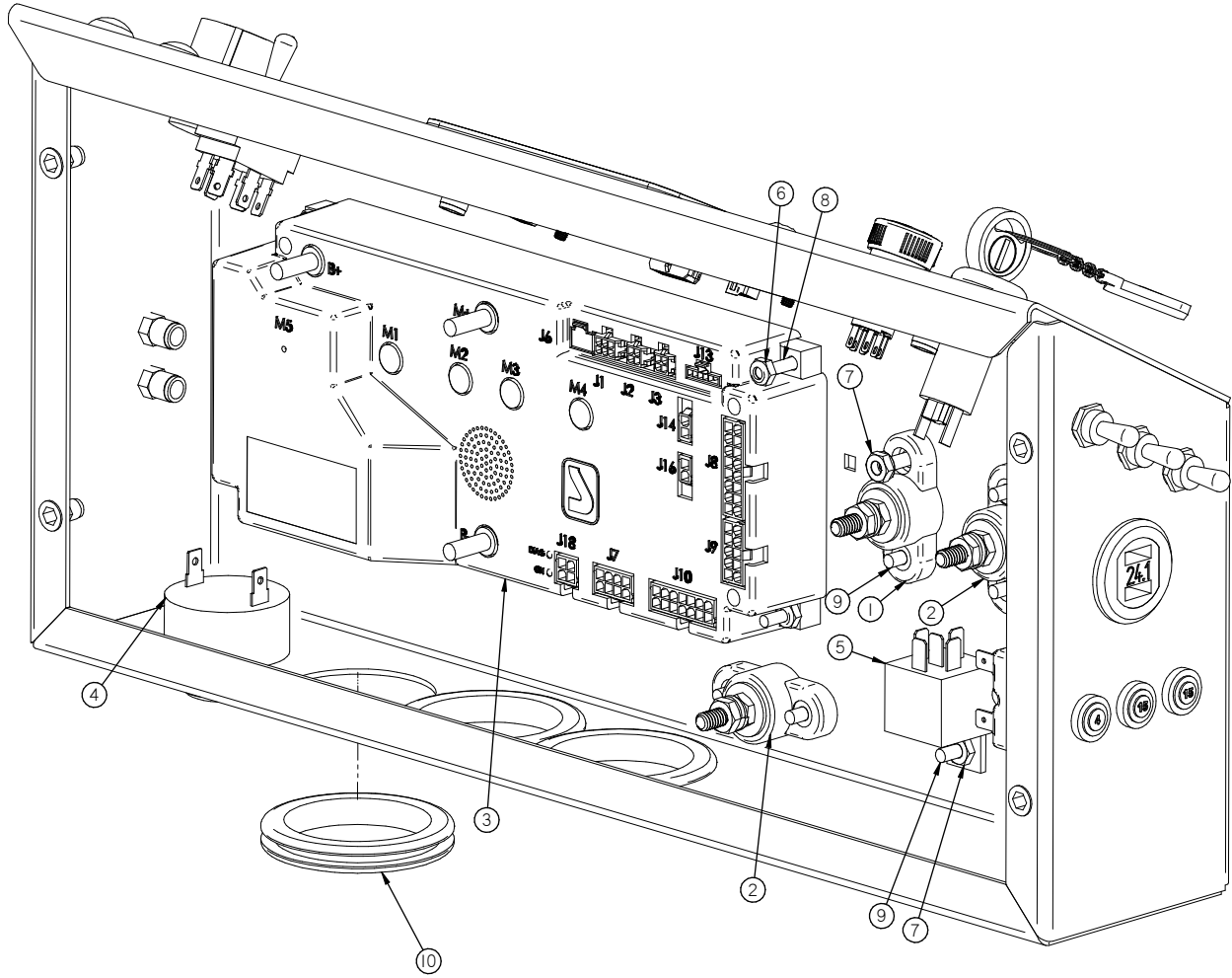


Item	Part No.	Part Description	Qty.
1	220-7030	STEERING WHEEL	1
2	220-7091	STEERING SHAFT, UPPER, LONG	1
3	H-70861	NYLOK 5/16" - 18 SS	1
4	H-71013	FW 1/4 ID X 5/8 OD SS	1
5	H-71015	FW 5/16 ID X 3/4 OD SS	1
6	H-73754	BHSCS 1/4 - 20 X 3/4" SS	1

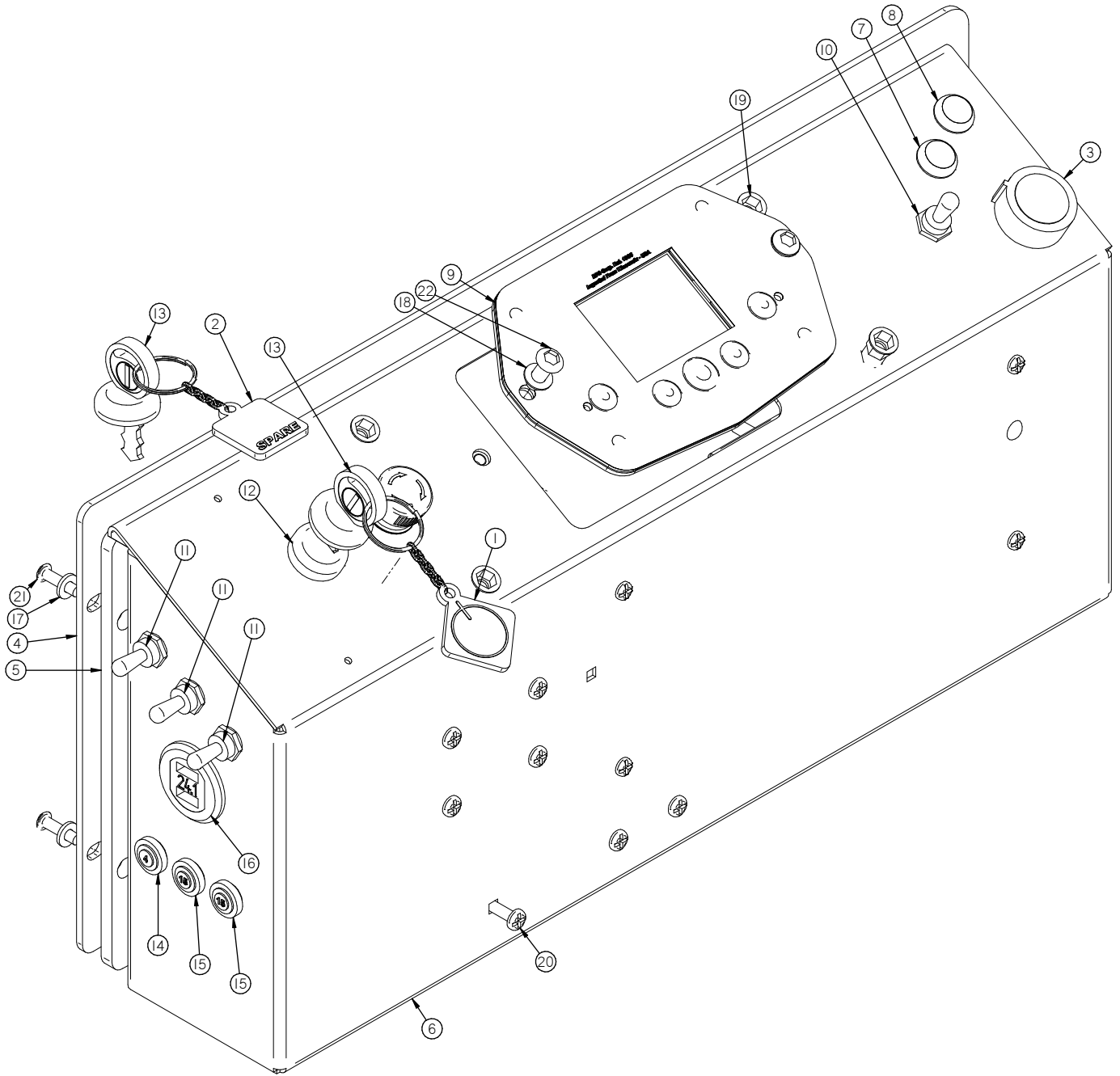


Steering Upright

Item	Part No.	Part Description	Qty.
1	123-1601	3/8 BARBED FITTING	2
2	123-8861	HOSE BRACKET HOLDER	2
3	150-2460D	24v, 12A Onboard, Universal Charger	1
4	175-2460D	DELTAQ ON-BOARD CHARGER 24V 650W 27A	1
5	211-8910	PUMP, WATER JET	1
6	220-1200	REAR UPRIGHT	1
7	220-7180	SIGHT TUBE BRACKET	1
8	220-9760	STEERING SHAFT BRACKET LOW	1
9	220-9771	Squeegee Hose Catch	1
10	220-9780	3/4" X 1" X 3/8" FLG BEARING	1
11	253-8910	24V 100 PSI PUMP, WATER JET	1
12	4-259	CONNECTOR, RED 50, HOUSING ONLY	1
13	650-4044	HOSE WRAP	4
14	650-9134	AIR DRYER	1
15	H-0172520	CB #10-32 X 3/4" SS	1
16	H-1032HCN	HCN #10-32	4
17	H-68600	1/2" NPT BRASS NUT	1
18	H-70855	NYLOK #6-32 SS	2
19	H-70856	NYLOK #8-32 SS	7
20	H-70858	NYLOK #10-32 SS	13
21	H-70922	KN #8-32	1
22	H-70923	KN #10-32 SS	12
23	H-71007	FW #8 SS	4
24	H-71009	FW #10 SS	4
25	H-72390	PPH #6-32 X 1" MS S/S	2
26	H-72645	FHP #8-32 X 1.0"	4
27	H-72685	FHP 10-32 X 1" SS	8
28	H-72686	FHP 10-32 X 1-1/4" SS	4
29	H-73745	BHSCS 10-32 X 3/4" SS	4
30	H-73754	BHSCS 1/4 - 20 X 3/4" SS	8
31	H-9307K74	GROMMET, 1" ID X 1-3/4" OD BUNA-N	1
32	M-5346K25	1/2 NPT X 1/2 BRASS BARBED HOSE FITTING	1
33	M-9545K114	17/32" to 39/64" ID Hole Plug	1

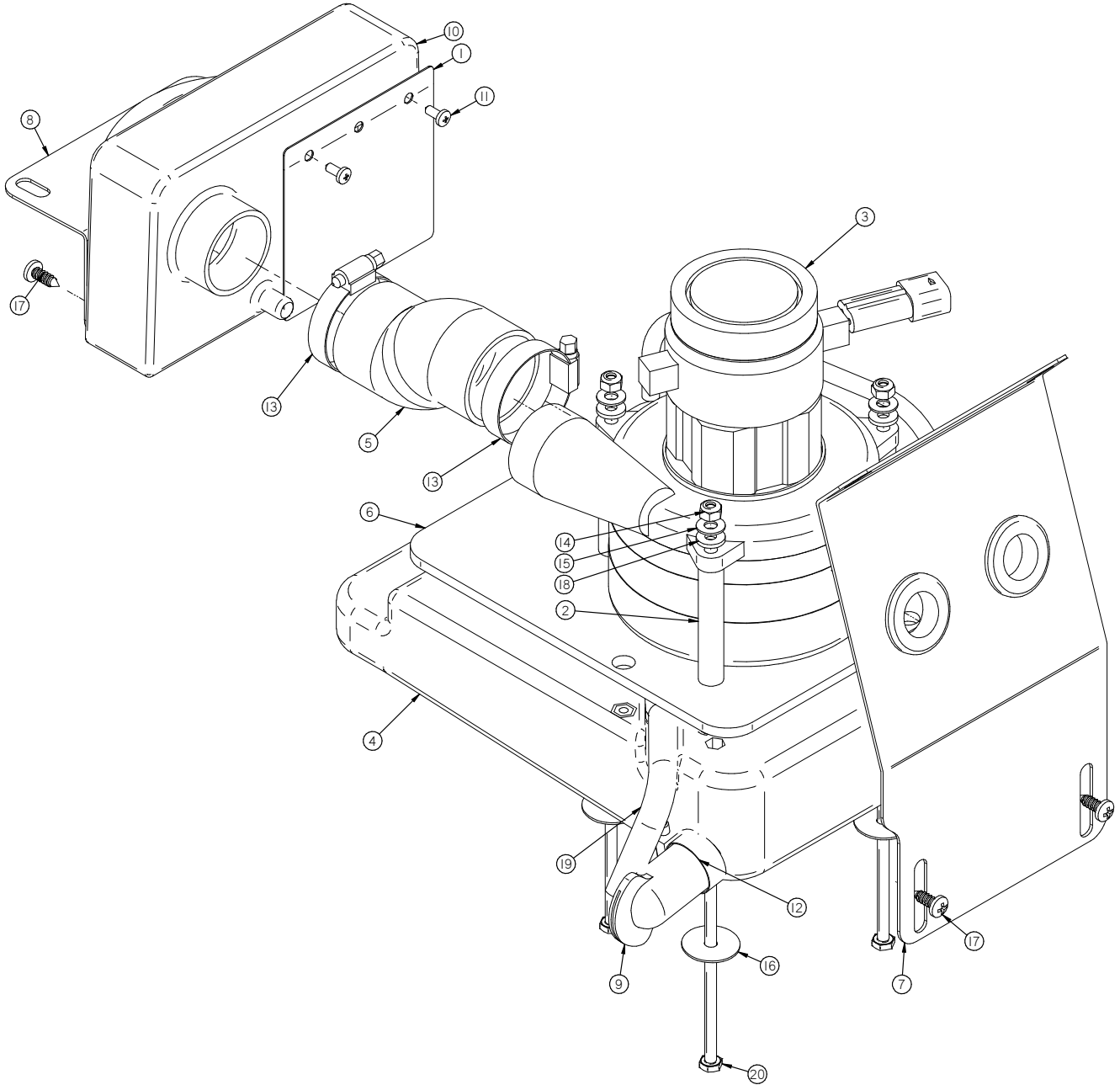


Item	Part No.	Part Description	Qty.
1	175-2700	NEG INSULATOR POST (BLACK)	1
2	175-2710	POS INSULATOR POST (RED)	2
3	211-2900	SED Orion RD	1
4	370-2920	ALARM	1
5	5-293	24V 15 AMP RELAY	1
6	H-70856	NYLOK #8-32 SS	1
7	H-70923	KN #10-32 SS	7
8	H-72418	PPH #8-32 X 1" S/S	1
9	H-72517	PPH #10-32 X 5/8" SS	2
10	H-9307K99	GROMMET, 2" ID X 2-5/8" OD	3



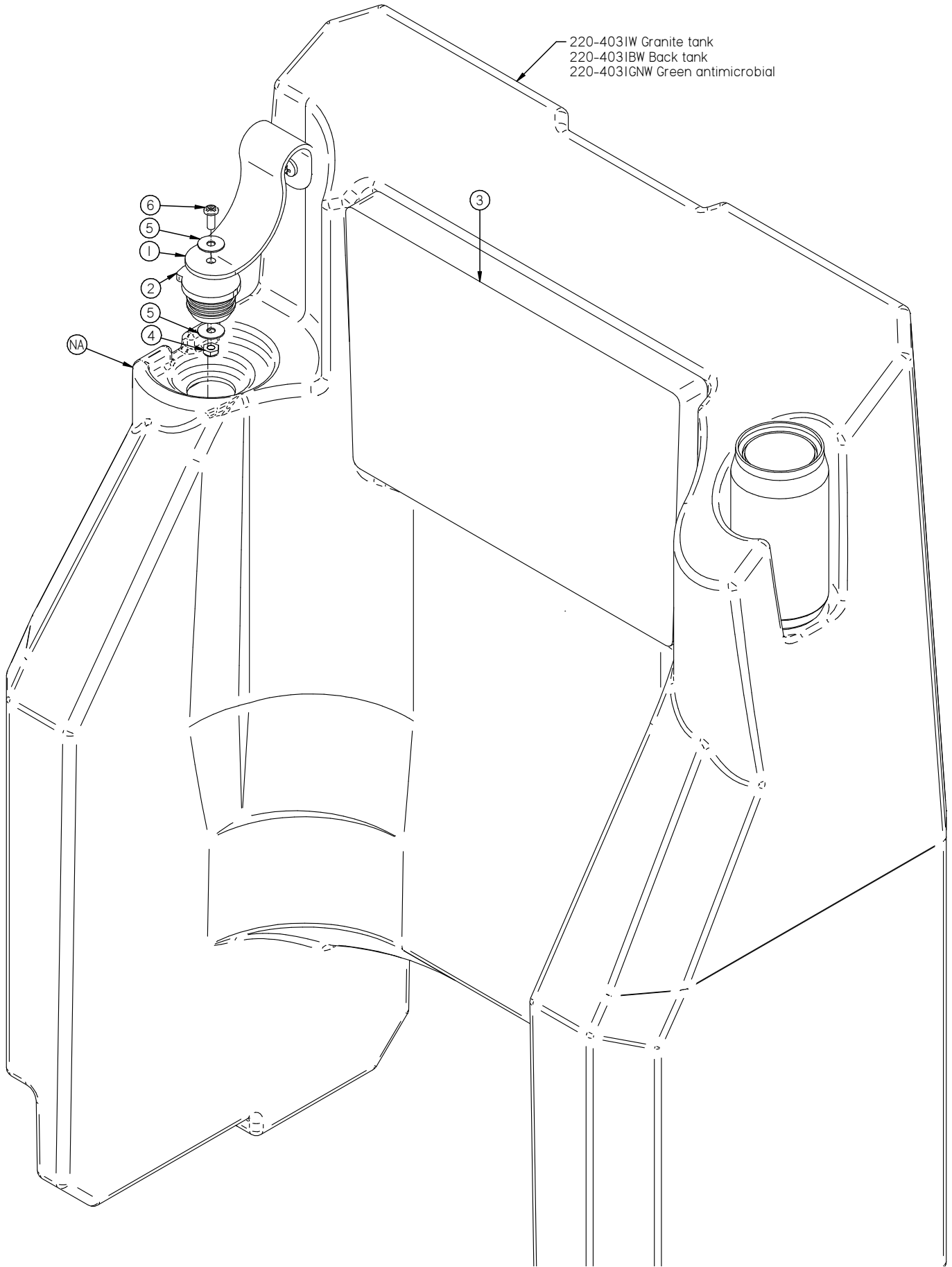
Central Command

Item	Part No.	Part Description	Qty.
1	175-2352	POWER KEY FOB	1
2	175-2353	SPARE KEY FOB	1
3	21-4520	SPEED CONTROL KNOB, RED	1
4	220-2000	ACCESS COVER	1
5	220-2006	ACCESS COVER GASKET	1
6	220-2020	CENTRAL COMMAND BOX	1
7	220-2290	YELLOW PUSH BUTTON SWITCH	1
8	220-2291	ORANGE PUSH BUTTON SWITCH	1
9	220-9105	ORION RG MEMBRANE PANEL	1
10	260-2830	SWITCH, TOGGLE, MOM/OFF/MOM (DPDT)	1
11	260-8920	TOGGLE, ON-OFF SPST	3
12	290-234	KEY SWITCH (WITH KEY)	1
13	290-234A	KEY SET (REPLACE)	2
14	349-9604	FUSE, RESETTABLE, 4 AMP, 50V DC MAX	1
15	390-9615	FUSE, RESETTABLE, 15 AMP, 50V DC MAX	2
16	700-2590	DUAL USB PORTS	1
17	H-11107629	FW #10 NYLON	1
18	H-11107630	FW 1/4" ID X 1/2" OD NYLON	2
19	H-250HCN	HCN 1/4"-20	1
20	H-72517	PPH #10-32 X 5/8" SS	7
21	H-73745	BHSCS 10-32 X 3/4" SS	1
22	H-73754	BHSCS 1/4 - 20 X 3/4" SS	1



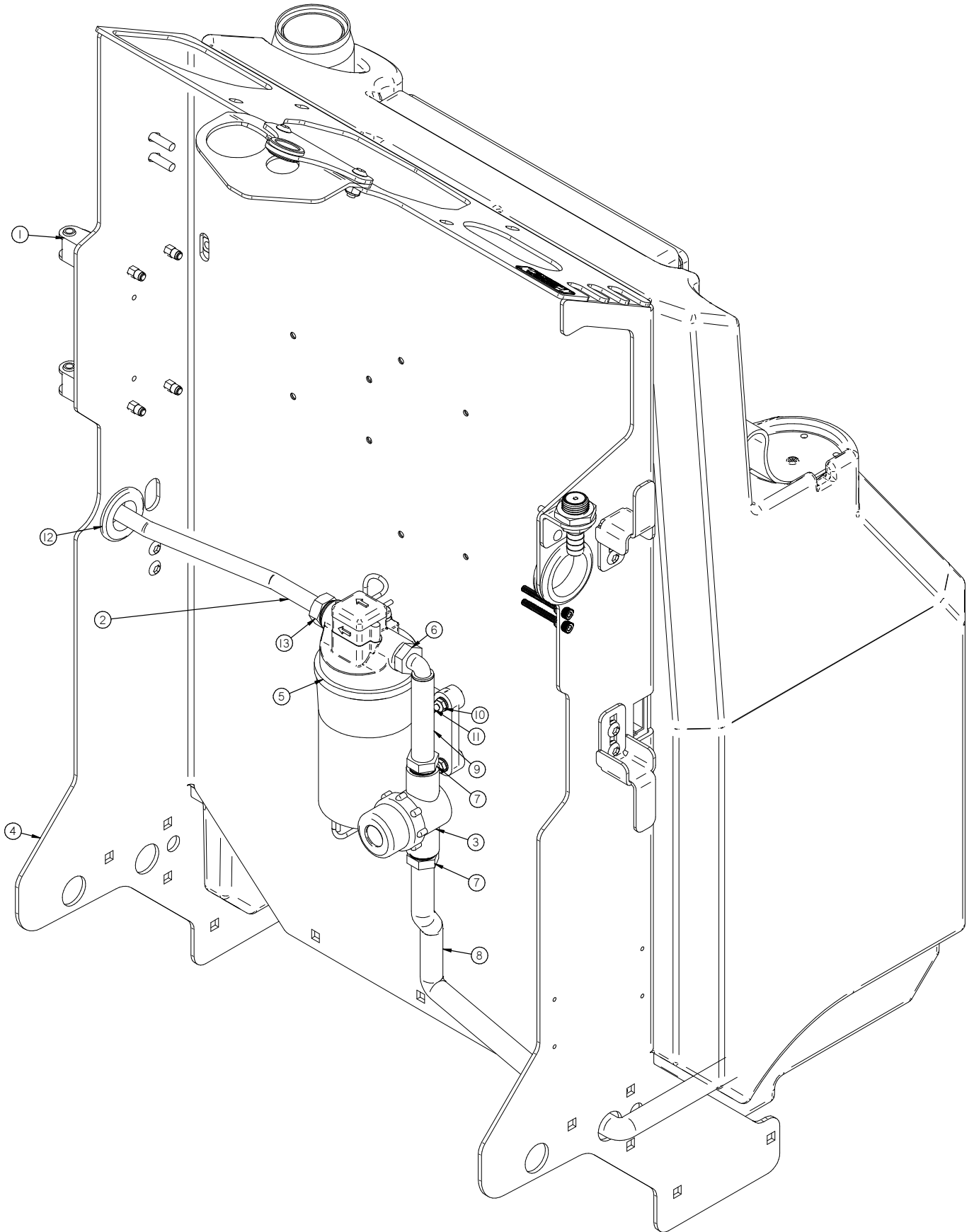
Vacuum Muffler

Item	Part No.	Part Description	Qty.
1	175-1029	TANK BACK SPLASH	1
2	175-2600	SPACER, 3.0" LG	1
3	175-5250	VAC MOTOR, 3/4 HP, TANGENTAL	1
4	220-1146	VAC BOX	1
5	220-2502	Muffler	1
6	220-3001	VAC MOTOR GASKET	1
7	220-5250	VAC BOX REAR MOUNTING BRACKET	1
8	220-5251	VAC BOX FRONT MOUNTING BRACKET	1
9	390-1505	LOADER VALVE	1
10	650-1148	GTR VAC MUFFLER WALL	1
11	H-175216	PPH SMS #10 X 1/2" SBO	2
12	H-62005	CLAMP 5/8"- 1-1/2" SS	1
13	H-62046	CLAMP 1 9/16 - 2 1/2 " SS	2
14	H-70860	NYLOK 1/4"- 20 SS	1
15	H-71013	FW 1/4 ID X 5/8 OD SS	1
16	H-71213	FNW 1/4" X 1-1/4" SS	1
17	H-71893	1/4 X 3/4 SELF TAPPING SCREW	3
18	M-90130A029	.25" NEOPRENE WASHER	1
19	M-9117T4BL	vac drain hose.par	1
20	M-92198A567	HCS .25-20 X 6.5 SS	1



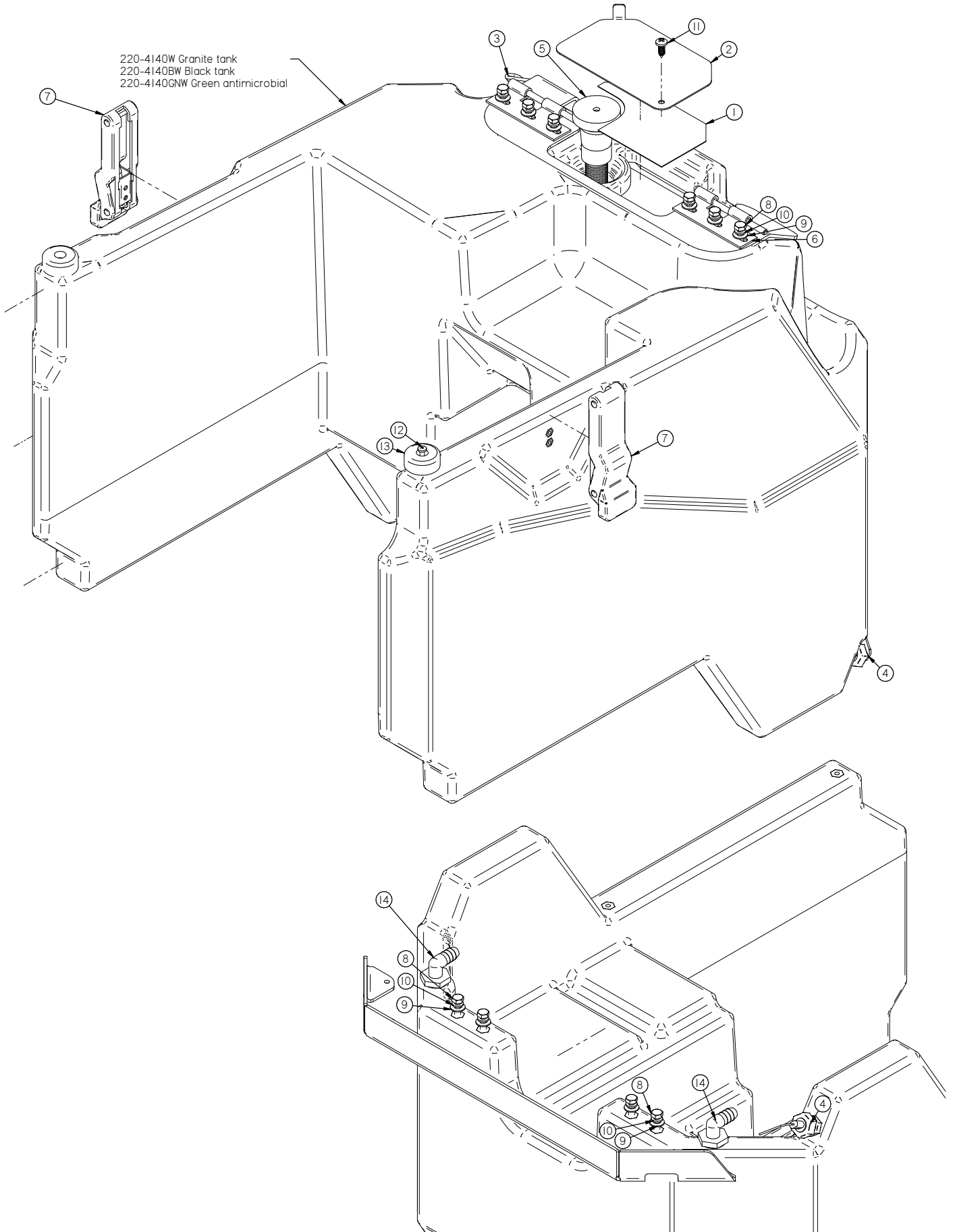
Disinfectant Tank

Item	Part No.	Part Description	Qty.
1	175-1412	TANK LID STRAP	1
2	175-7211	1-1/4 HOSE CAP	1
3	220-4032	HIP PAD	1
4	H-70858	NYLOK #10-32 SS	1
5	H-71010	FW #10 ID X 11/16 OD SS	2
6	H-72515	PPH #10-32 X 1/2" S/S	1



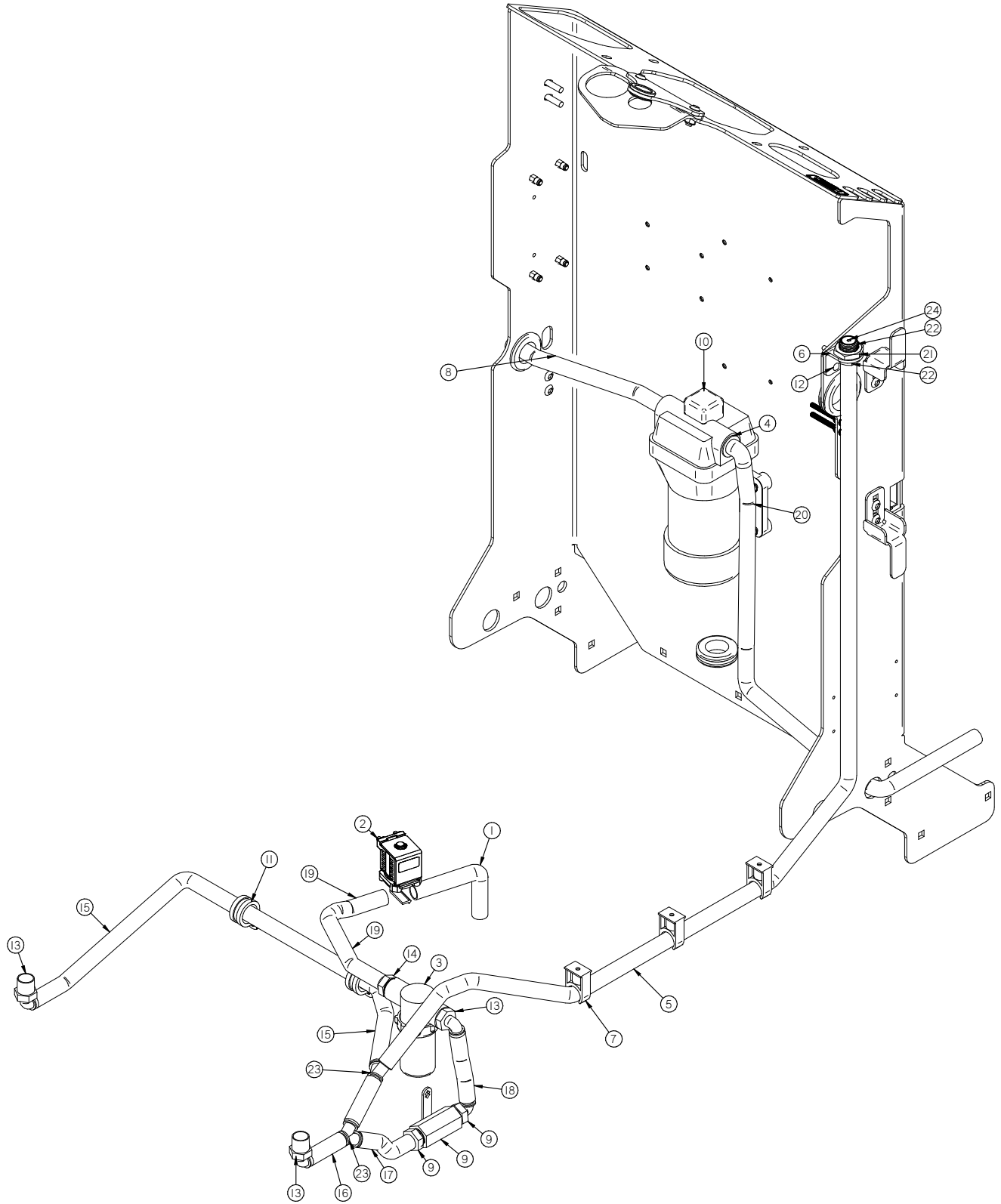
Disinfectant Tank

Item	Part No.	Part Description	Qty.
1	I23-886I	HOSE BRACKET HOLDER	1
2	I50-8960	DISINFECTANT HOSE	1
3	I55-9130	INLINE FILTER	1
4	I220-1200	REAR UPRIGHT	1
5	I253-8910	24V 100 PSI PUMP, WATER JET	1
6	H-04764	ELBOW, 90 DEG X 1/2" MNPT X 1/2" BARB, NYLON	1
7	H-04788	.50 NPT X .50 BARB	2
8	H-53933	1/2" WIRE REINFORCED HOSE (SOLD BY THE FOOT.)	1
9	H-53933	1/2" WIRE REINFORCED HOSE (SOLD BY THE FOOT.)	1
10	H-70858	NYLOK #10-32 SS	1
11	H-72686	FHP 10-32 X 1-1/4" SS	1
12	H-9307K74	GROMMET, 1" ID X 1-3/4" OD BUNA-N	1
13	M-5463K46I	.50 NPT X .375 BARB	1



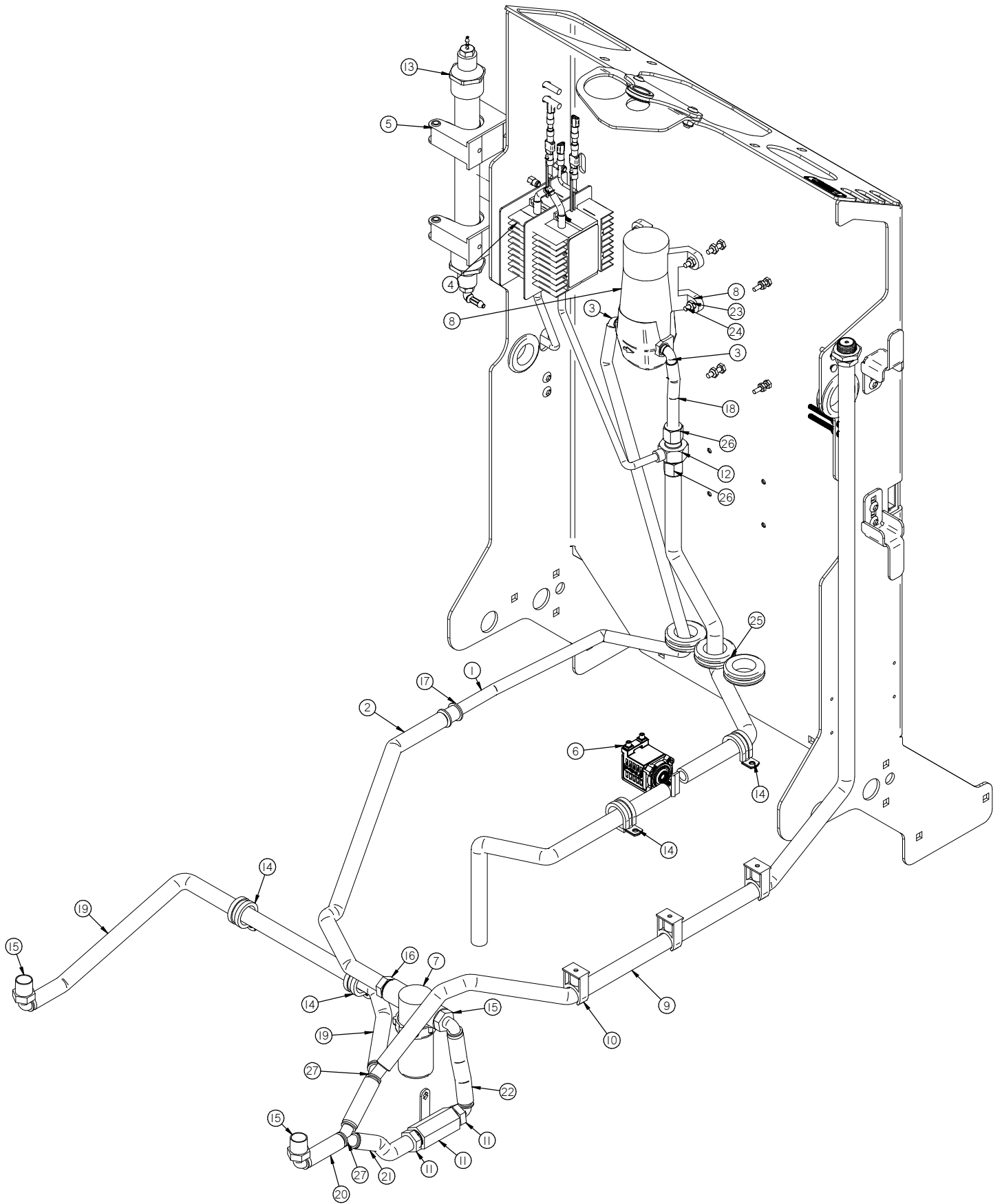
Solution Tank

Item	Part No.	Part Description	Qty.
1	220-1128	SOLUTION FILL SCREEN	1
2	220-1129	SOLUTION FILL CURTIAN	1
3	220-7427	SOLUTION TANK BRACKET	1
4	5-226	FLOAT SWITCH	1
5	500-1380	FILL HOSE	1
6	600-1220	4" SS HINGE	1
7	600-1240	LATCH	2
8	H-70003	HCS 1/4"-20 X 3/4" SS	10
9	H-71013	FW 1/4 ID X 5/8 OD SS	10
10	H-71063	LW 1/4" SS	10
11	H-71893	1/4 X 3/4 SELF TAPPING SCREW	1
12	H-72930	PPH SMS #10 X 3/4" SS	1
13	H-9540	1/2" RUBBER BUMPER, 25/32	1
14	M-5463K516	ELBOW, NYLON, 3/4" MALE NPT X 1/2" BARB	2

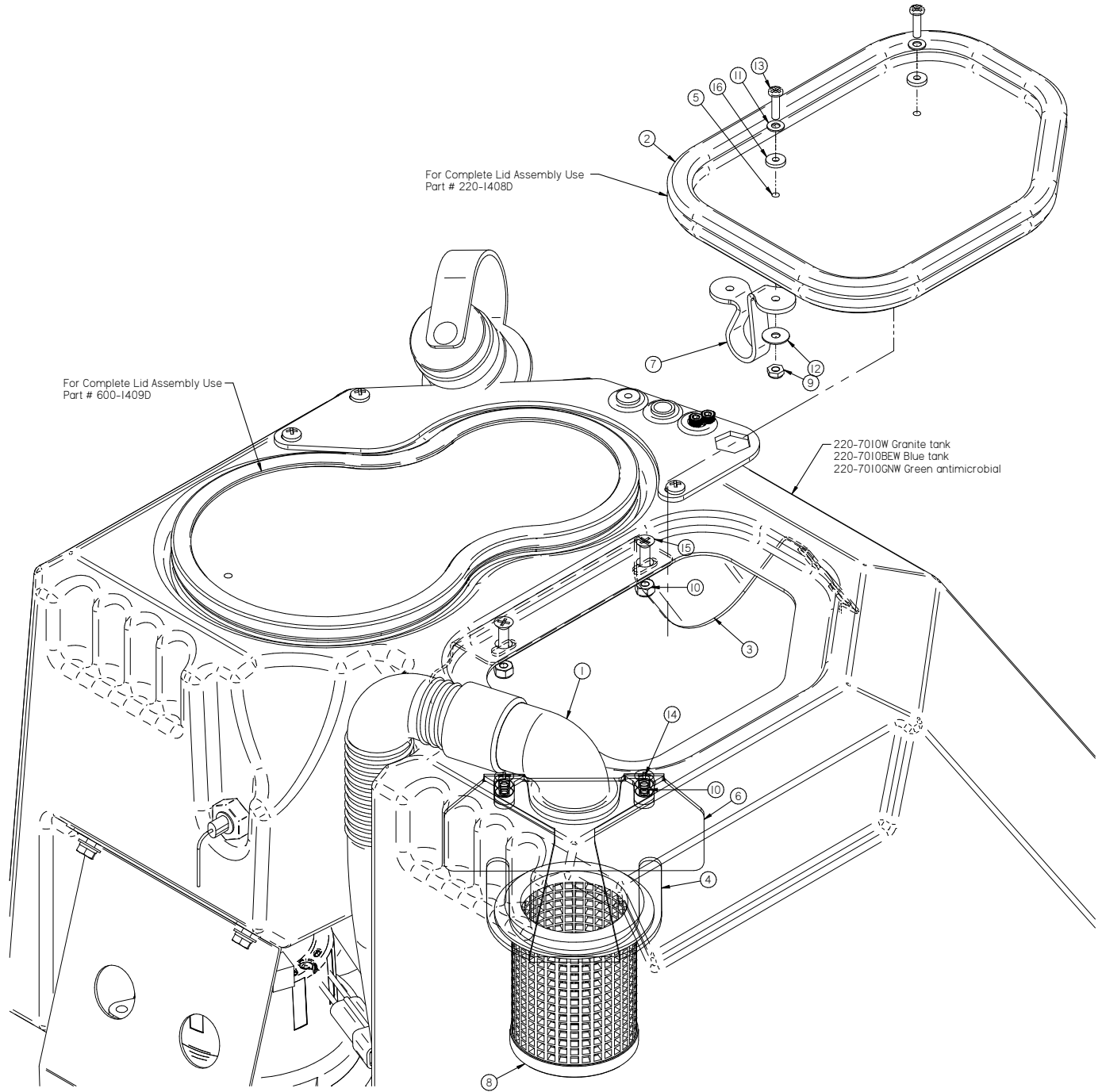


Solution Hoses

Item	Part No.	Part Description	Qty.
1			1
2	175-4500	24V VALVE	1
3	175-9135	INLINE FILTER W/BLACK 40 MESH SCREEN	1
4	21-1601	1/2" BARBED ELBOW (PLASTIC)	1
5	220-1371	SOLUTION DRAIN HOSE/SIGHT TUBE	1
6	220-7180	SIGHT TUBE BRACKET	1
7	220-9847	PVC HOSE CLIP .75 Dia.	3
8	253-8960	SPRAY JET HOSE	1
9	290-4158	1/2" NPT BALL VALVE	1
10	5-891	PUMP, WATER JET	1
11	H-0127296	1.0" LOOP CLAMP	2
12	H-0172520	CB #10-32 X 3/4" SS	1
13	H-04764	ELBOW, 90 DEG X 1/2" MNPT X 1/2" BARB, NYLON	3
14	H-04788	.50 NPT X .50 BARB	1
15	H-53933	1/2" WIRE REINFORCED HOSE (SOLD BY THE FOOT.)	1
16	H-53933	1/2" WIRE REINFORCED HOSE (SOLD BY THE FOOT.)	1
17	H-53933	1/2" WIRE REINFORCED HOSE (SOLD BY THE FOOT.)	1
18	H-53933	1/2" WIRE REINFORCED HOSE (SOLD BY THE FOOT.)	1
19	H-53933	1/2" WIRE REINFORCED HOSE (SOLD BY THE FOOT.)	1
20	H-53933	1/2" WIRE REINFORCED HOSE (SOLD BY THE FOOT.)	1
21	H-68600	1/2" NPT BRASS NUT	1
22	M-5346K25	1/2 NPT X 1/2 BRASS BARBED HOSE FITTING	1
23	M-5463K727	WYE, 1/2", NYLON	2
24	M-9545K114	17/32" to 39/64" ID Hole Plug	1

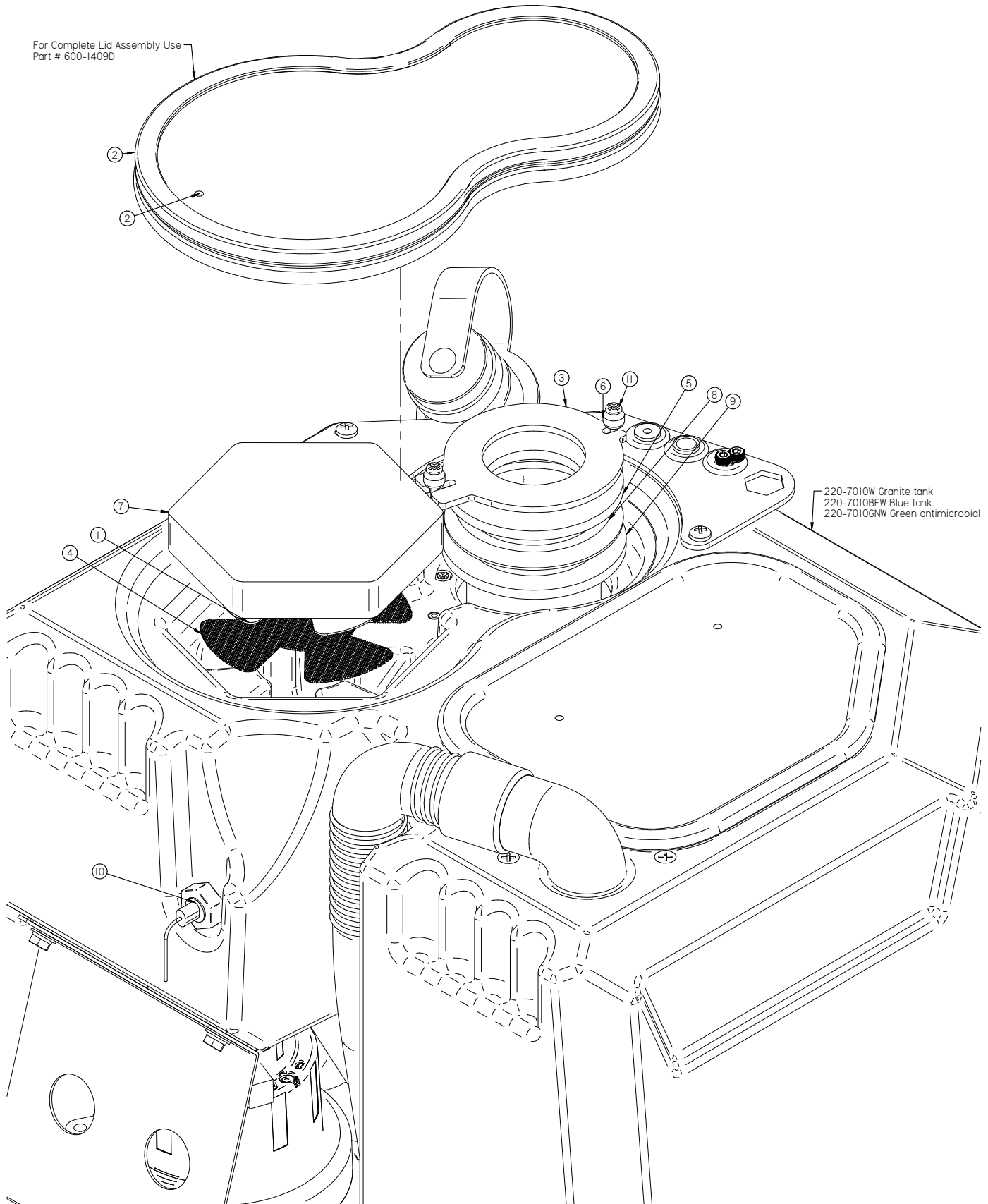


Item	Part No.	Part Description	Qty.
1			1
2			1
3	123-1601	3/8 BARBED FITTING	2
4	123-2336	GENERATORS	1
5	123-8861	HOSE BRACKET HOLDER	1
6	175-4500	24V VALVE	1
7	175-9135	INLINE FILTER W/BLACK 40 MESH SCREEN	1
8	211-8910	PUMP, WATER JET	1
9	220-1371	SOLUTION DRAIN HOSE/SIGHT TUBE	1
10	220-9847	PVC HOSE CLIP .75 Dia.	3
11	290-4158	1/2" NPT BALL VALVE	1
12	500-8500	GRAY INJECTOR	1
13	650-9134	AIR DRYER	1
14	H-0127296	1.0" LOOP CLAMP	4
15	H-04764	ELBOW, 90 DEG X 1/2" MNPT X 1/2" BARB, NYLON	3
16	H-04788	.50 NPT X .50 BARB	1
17	H-05076	1/2" to 3/8" COUPLING	1
18	H-53932	3/8" WIRE REINFORCED HOSE (SOLD BY THE FOOT.)	1
19	H-53933	1/2" WIRE REINFORCED HOSE (SOLD BY THE FOOT.)	1
20	H-53933	1/2" WIRE REINFORCED HOSE (SOLD BY THE FOOT.)	1
21	H-53933	1/2" WIRE REINFORCED HOSE (SOLD BY THE FOOT.)	1
22	H-53933	1/2" WIRE REINFORCED HOSE (SOLD BY THE FOOT.)	1
23	H-70858	NYLOK #10-32 SS	1
24	H-72685	FHP 10-32 X 1" SS	1
25	H-9307K74	GROMMET, 1" ID X 1-3/4" OD BUNA-N	1
26	H-99526134	.375 NPTF X .375 BRASS BARBED HOSE FITTING	2
27	M-5463K727	WYE, 1/2", NYLON	2

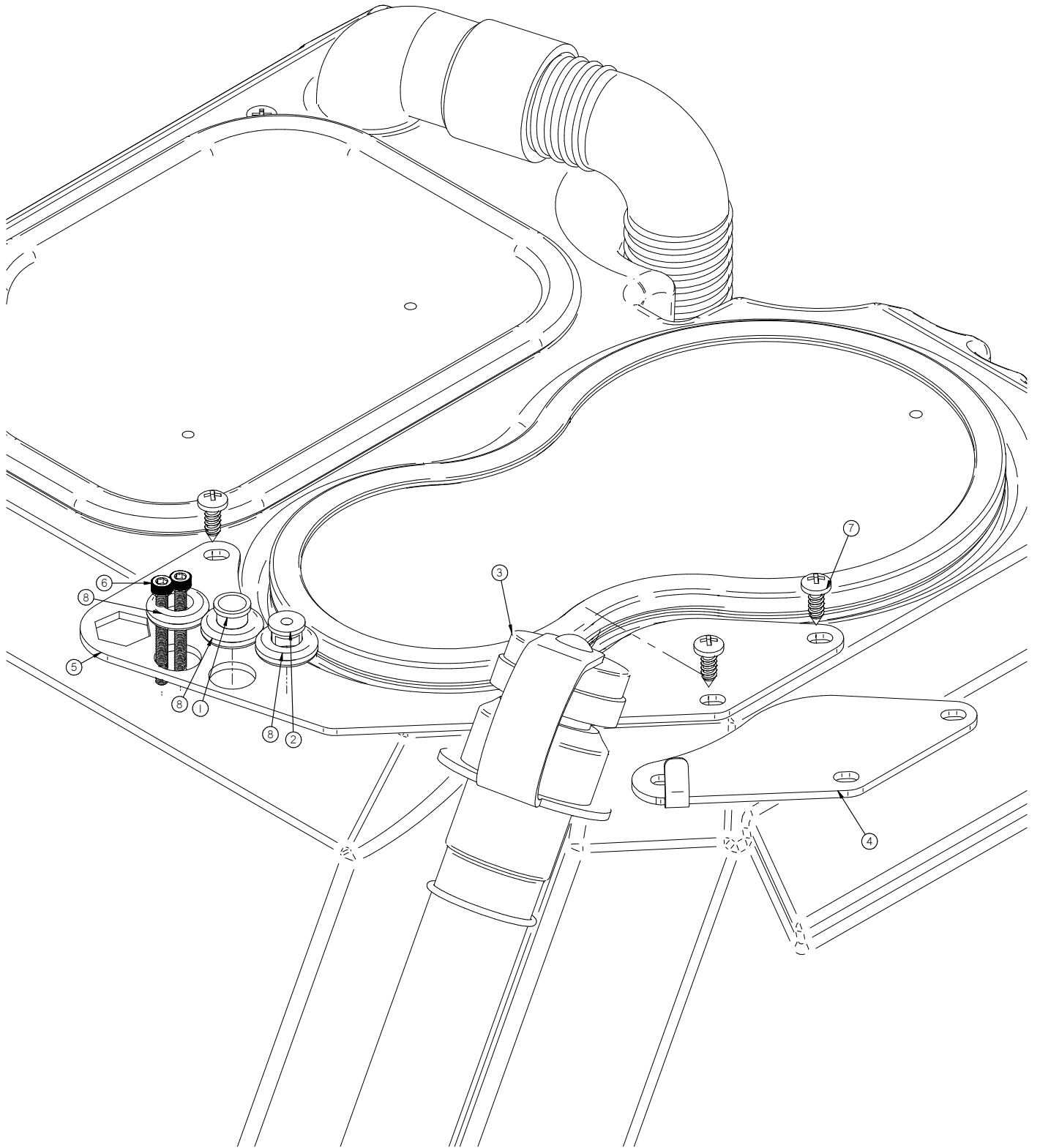


Recovery Tank

Item	Part No.	Part Description	Qty.
1	220-0118	SQUEEGEE HOSE (50")	1
2	220-1075	PUSH-ON RUBBER GASKET	1
3	220-1136	STAND UP BAFFLE	1
4	220-1137	DRAIN SAVER BASKET HOLDER	1
5	220-1408	FLAT TANK LID	1
6	220-7000	DRAIN SAVER CURTAIN	1
7	220-7003	TANK LID STRAPS	2
8	260-8912	DRAIN SAVER BASKET	1
9	H-70858	NYLOK #10-32 SS	2
10	H-70860	NYLOK 1/4"- 20 SS	2
11	H-71009	FW #10 SS	2
12	H-71010	FW #10 ID X 11/16 OD SS	2
13	H-72534	PPH #10-32 X 3/4" S/S	2
14	H-72685	FHP 10-32 X 1" SS	1
15	H-73883	FHP 1/4"- 20 X 1" SS	1
16	H-90133	.17 ID X .5 OD X .093 NEOPRENE WASHER	2

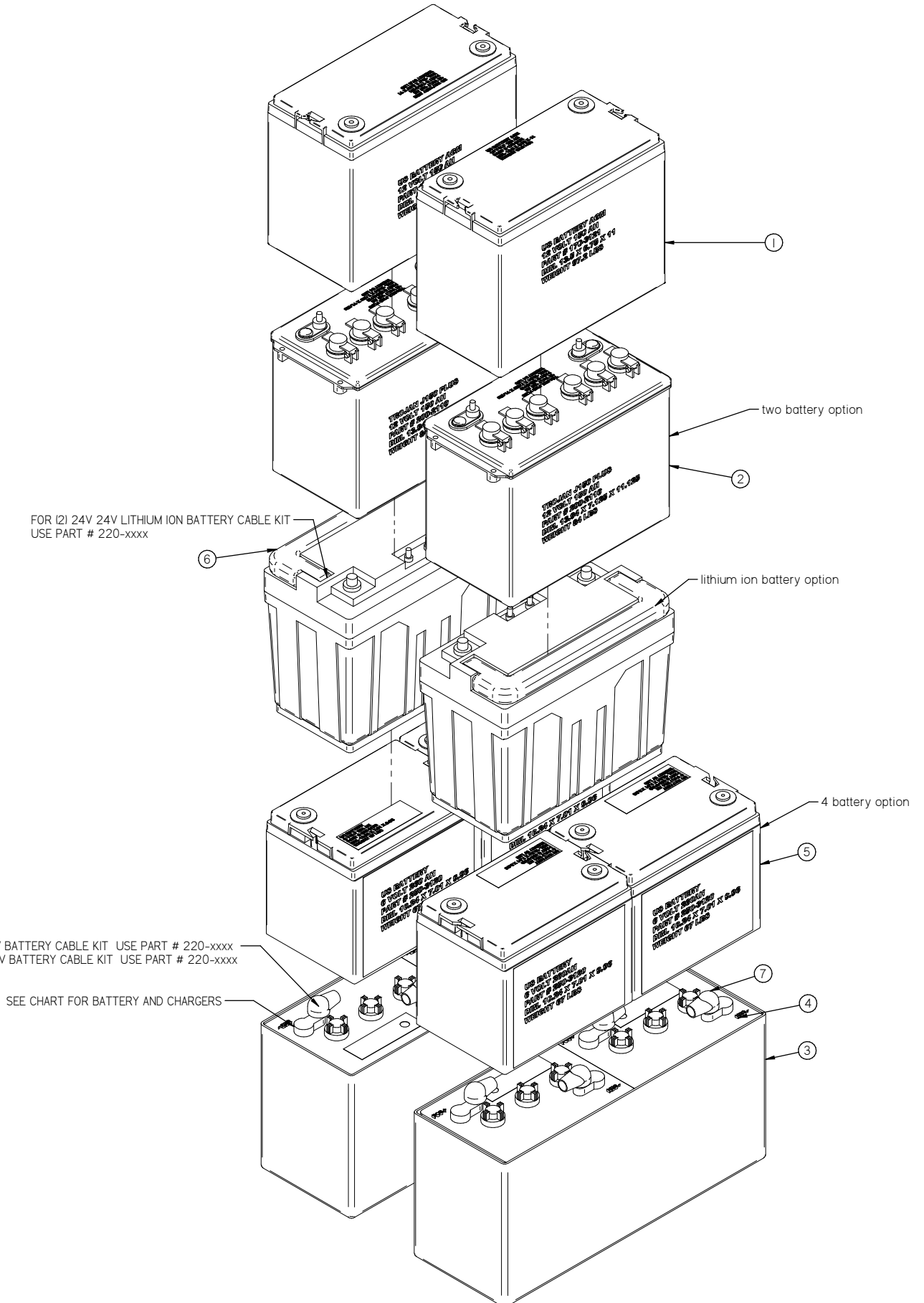


Item	Part No.	Part Description	Qty.
1	211-4081	VAC SCREEN	1
2	260-4052	REC TANK VAC COVER, GASKET & LANYARD	1
3	260-4080	BALL FLOAT TOP	1
4	260-4081	VAC SCREEN	1
5	260-4103	BALL FLOAT GASKET	1
6	260-4180	8-32 THUMB NUT	2
7	264-4086	VAC BOX FILTER	1
8	264-9111	SCREEN STRAINER	1
9	38-738	STRAINER GASKET	1
10	5-226	FLOAT SWITCH	1
11	H-72419	PPH #8-32 X 1-1/4" S/S	2



Recovery Tank

Item	Part No.	Part Description	Qty.
1	150-8930	0 Degree Spray Tip	1
2	150-8932	40 Degree Spray Tip	1
3	220-7210	RECOVERY DRAIN HOSE	1
4	220-9490	DRAIN HOSE BRACKET	1
5	220-9491	DRAIN HOSE TANK BRACKET (DISINFECTANT)	1
6	H-1139552	SHCS M5 x 45mm	2
7	H-71893	1/4 X 3/4 SELF TAPPING SCREW	3
8	M-9307K22	GROMMET, RUBBER 3/8 ID X 7/8 OD X 5/16 TH.	3

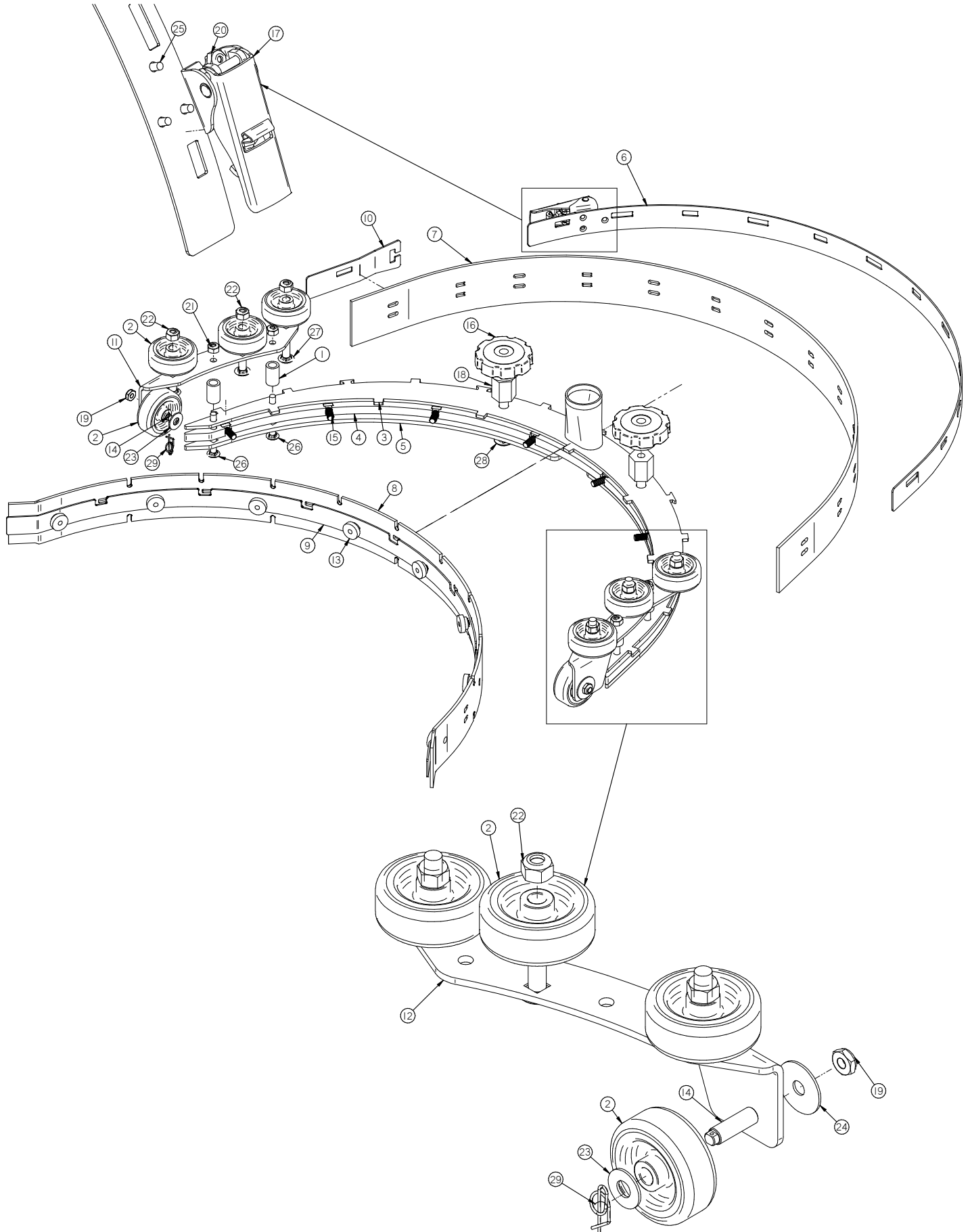


Batteries and Charger Options

Item	Part No.	Part Description	Qty.
1	170-3121	BATTERY, 12 V, 150 AH (US AGM)	2
2	200-2110	J150 PLUS 12V 150AH BATTERY	2
3	220-0000	BATTERY TRAY	2
4	250-2113	BATTERY 6 V 245 AH	4
5	250-3120	Battery 6v 260AH (US AGM)	4
6	260-3210	M-24V80-TRX	2
7	H-40031	BATTERY BOOT	8

WHICH BATTERY CHARGER TO USE WITH BATTERY SELECTION

Battery Part Number & Description	Off-Board Charger North American	Off-Board Charger Export	On-Board Charger North American
STANDARD 200-2110 (12V, 150 AH) WET	175-2540	175-2540	150-2460D
OPTIONAL 250-2113 (6V, 245 AH) WET	175-2540	175-2540	175-2460D
OPTIONAL 170-3121 (12V 150 AH) (US AGM)	175-2540	175-2540	150-2460D
OPTIONAL 250-3120 (6V, 260 AH) (US AGM)	175-2540	175-2540	175-2460D
OPTIONAL 260-3210 (24V, M-24V80-TRX) LITHIUM ION	175-2540	175-2540	175-2460D



Squeegees

Item	Part No.	Part Description	Qty.
1	20-0008	SQUEEGEE ROLLER SPACER	4
2	20-7570	BACK UP WHEEL (GREY)	8
3	20-8084	20" SQUEEGEE BODY SS	1
4	20-8088	20" SQUEEGEE BODY MIDDLE (SS)	1
5	20-8089	20" SQUEEGEE BODY SPACER (SS)	2
6	20-8267	20" REAR SQUEEGEE BAND	1
7	20-856L	20" REAR SQUEEGEE BLADE	1
8	20-857L	20" FRONT SQUEEGEE BLADE	1
9	20-9167	20" FRONT SQUEEGEE BAND	1
10	20-9169	20" Squeegee Locking Band No Weld	1
11	20-9180	SQUEEGEE RIGHT ROLLER BRACKET	1
12	20-9181	SQUEEGEE LEFT ROLLER BRACKET	1
13	220-4180	.25-20 .63 THUMB NUT	8
14	220-9775	Squeegee Roller Pin	2
15	220-9782	.25-20 x .625 Square Head Bolt	8
16	260-5786	STAR KNOB, 3/8-16 THREAD	2
17	29-7164	LATCH	1
18	5-846	STANDOFF, 1.03"	2
19	H-37020	JNYL 1/4" - 20	2
20	H-70855	NYLOK #6-32 SS	3
21	H-70860	NYLOK 1/4"- 20 SS	4
22	H-70861	NYLOK 5/16" - 18 SS	6
23	H-71015	FW 5/16 ID X 3/4 OD SS	2
24	H-71212	FNW 1/4 ID X 1.0 OD SS	2
25	H-72630	FHSCS #6-32 X 5/16" S/S	3
26	H-74423	CB 1/4"- 20 X 2.0" SS	4
27	H-74432	CB 5/16"- 18 X 1-1/2" SS	6
28	H-74440	CB 3/8"- 16 X 2-1/2" SS	2
29	M-92391A730	Locking, for 5/16" Clevis Pin Diameter, 1-1/8" Long	2

ROUND DISK BRUSHES:

NOTICE

The ## in Disk Column Denotes Desk Pad Size: 20"

BRUSHES	DISK	LEVEL
Super Grit	20-382SS	Very High
Tough Grit	20-382S	High
Midi Grit	20-382C	Medium
Light Grit	20-382PS	Moderate
Poly	20-382P	Light
Nylon	20-382N	Light
Tampico	20-382T	Light
Pad Driver	20-382D	
Diamond Driver	20-382DD	

ROUND DISK PADS:

NOTICE

The ## in Disk Column Denotes Desk Pad Size: 20"

DISK PADS	DISK	LEVEL	COLOR
Super Black	20-422BB	Very High	Black
Black	20-422B	High	Black
Brown	20-422BR	High	Brown
Green	20-422G	Medium	Green
Blue	20-422BL	Moderate	Blue
Red	20-422R	Moderate	Red
White	20-422W	Light	White

EDGE PADS AND SCREENS:

DESCRIPTION	24"×14" SCRUBDECK	28"×14" SCRUBDECK
White Pad	N/A	EDGE-4054
Red Pad	EDGE-2404	EDGE-4053
Blue Pad	EDGE-2403	EDGE-4052
Green Pad	EDGE-2402	EDGE-4051
Black Pad	EDGE-2401	EDGE-4050
White Driver Pad	N/A	EDGE-4058
400 Grit Diamond Polishing Pad	N/A	EDGE-4013
800 Grit Diamond Polishing Pad	N/A	EDGE-4014
1500 Grit Diamond Polishing Pad	N/A	EDGE-4015
3000 Grit Diamond Polishing Pad	N/A	EDGE-4016
6000 Grit Diamond Polishing Pad	N/A	EDGE-4070
Tile/Grout Renovator Pad	N/A	EDGE-4048
Dominator HD Strip Pad	N/A	EDGE-4055
Maroon ECO Prep Pad	EDGE-2407	EDGE-4056

Common Wear Parts

SQUEEGEE SIZE	LINATEX BLADE KIT	URETHANE BLADE KIT	COMPLETE SQUEEGEE ASSEMBLIES
20' Squeegee	220-721L	N/A	220-9180

SQUEEGEE MATERIAL:	USED FOR:
LINATEX	Provides best wear and tear resistance. Not designed for use with harsh chemicals.

NOTICE

Squeegee blade kits include (1) Rear Blade & (1) Front Blade.

NOTICE

Squeegee Assemblies (complete) listed above all come with Linatex blades.

BLANK

THIS PAGE WAS INTENTIONALLY LEFT BLANK



1711 South Street
Racine, WI 53404
www.tomcatequip.com
Tel. US: 800-450-9824
Tel. Int: (001) 262-681-6470