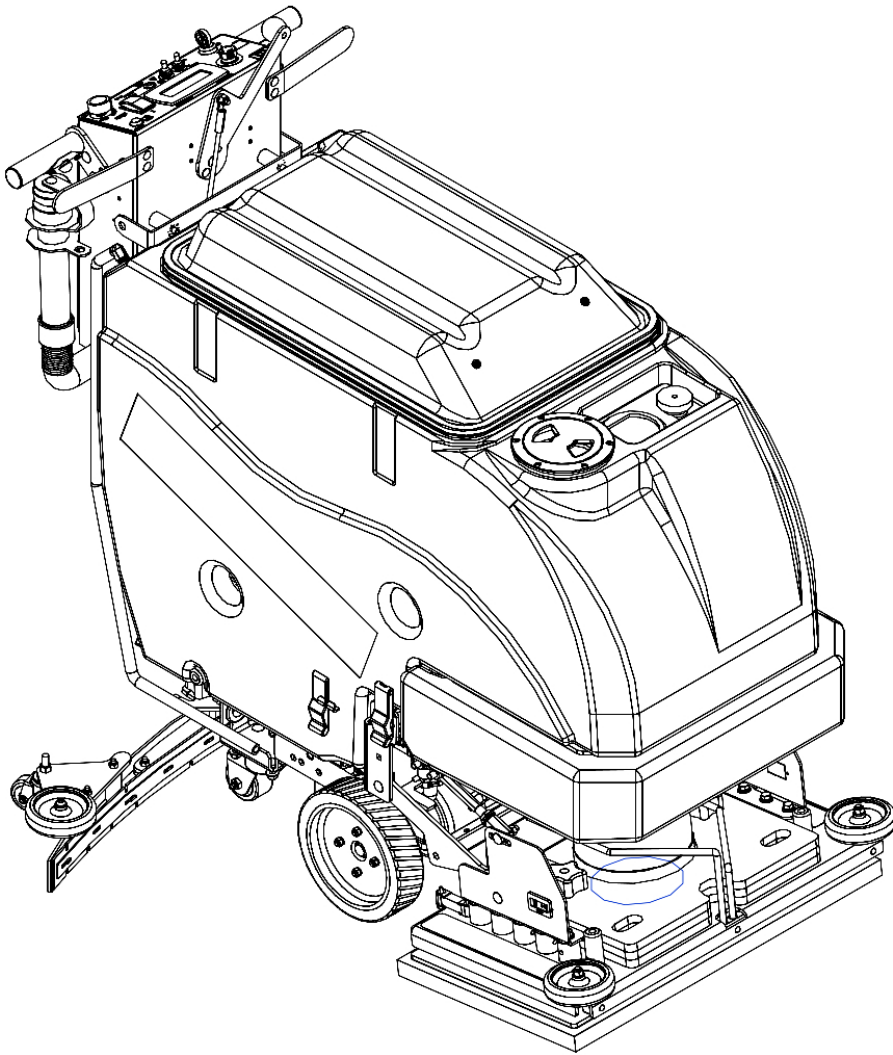


Parts Manual (EN)

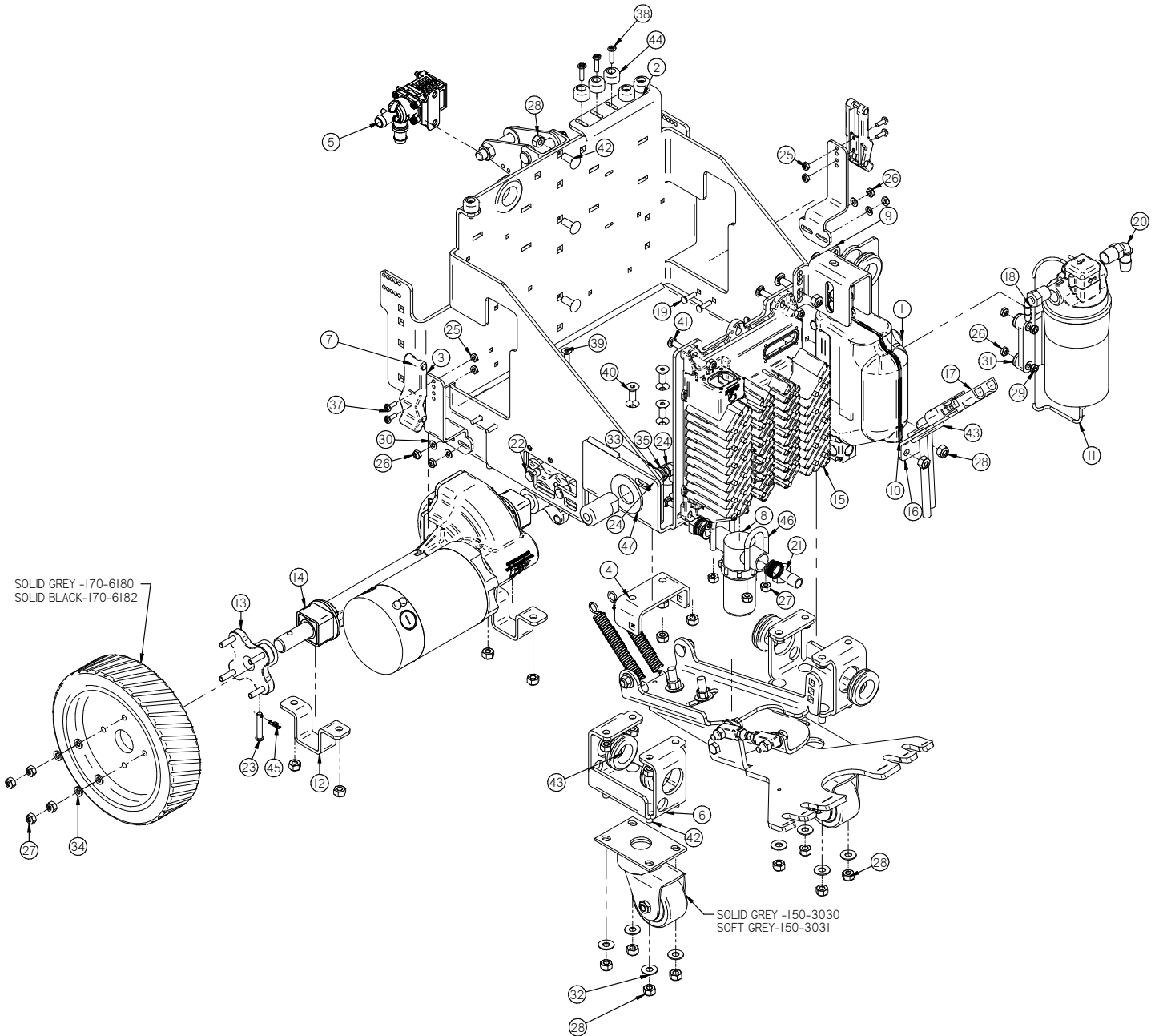


Read Operation Instructions
before using the machine.

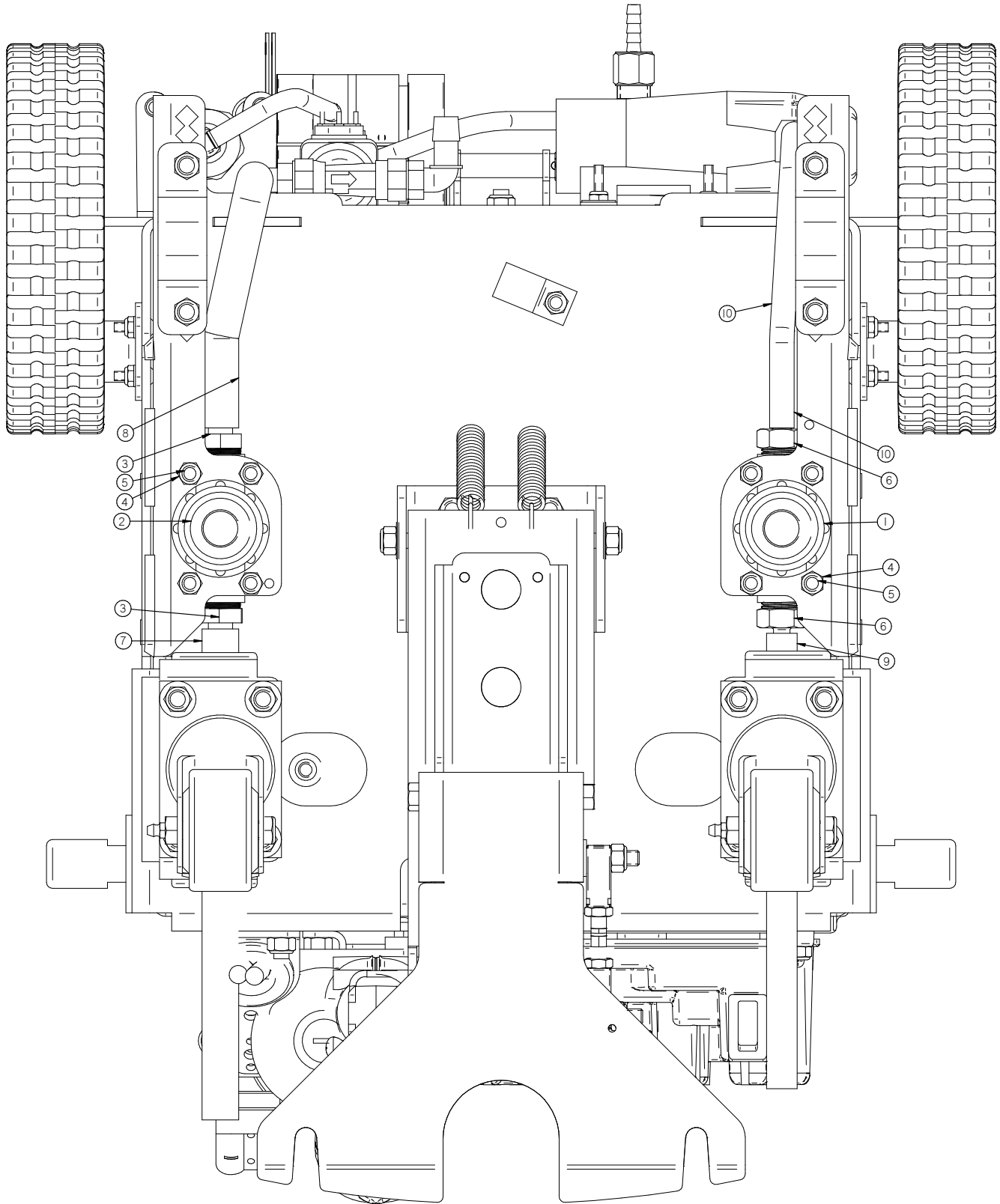


Read the Safety Messages
before using the machine.

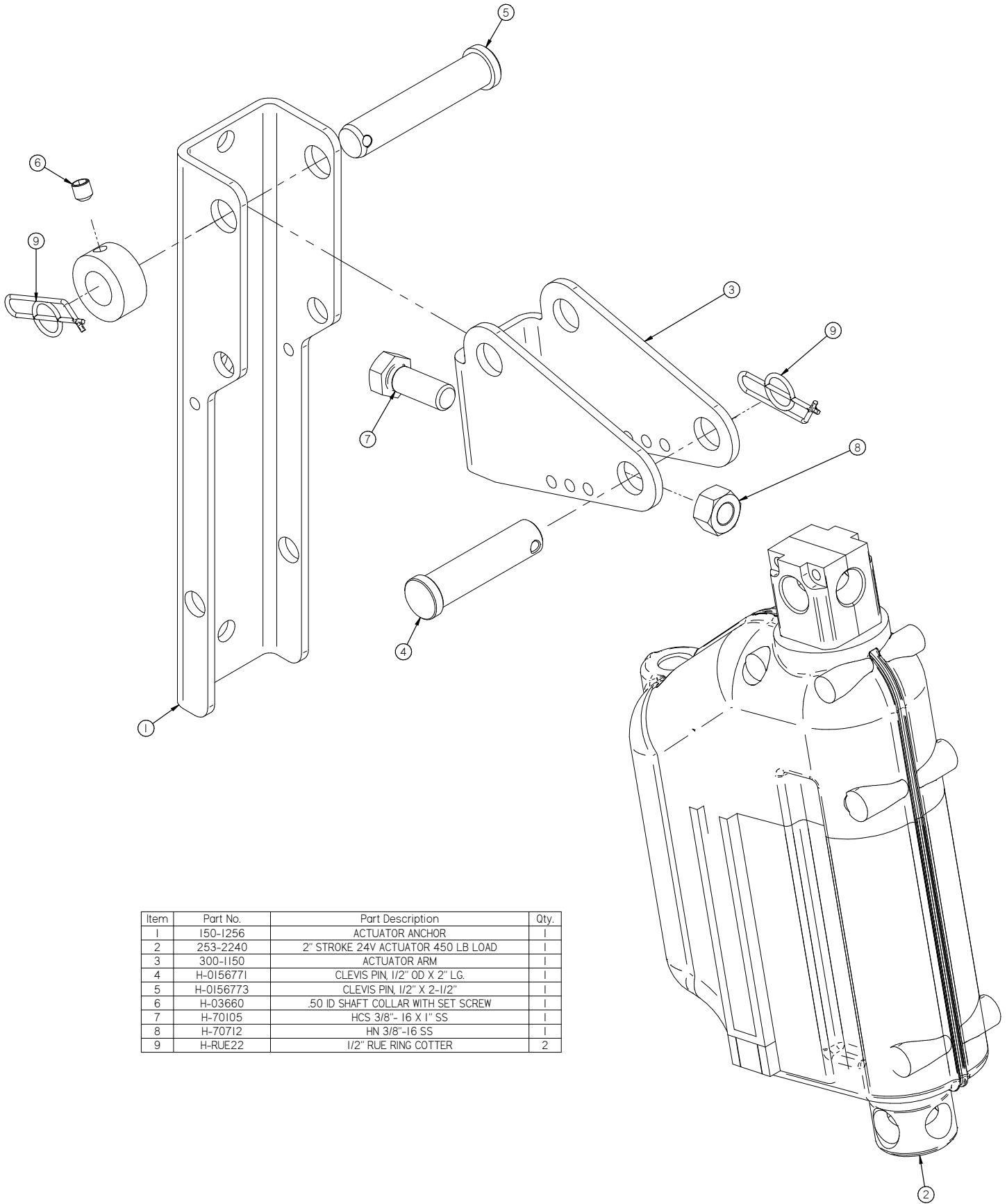
Frame Assembly.....	4
Frame Assembly - Bottom View	5
Actuator & Frame Support.....	6
Squeegee Drag Link.....	7
20 Disk Deck	8
20 inch Disk Shroud	9
26 Inch Disk Deck.....	10
26 Inch Disk Deck Shroud	11
Cylindrical Assembly.....	12
Cylindrical Drive Assembly	13
Cylindrical Door	14
Clean Caddy.....	15
EDGE Decks	16
EDGE Lifting Bracket.....	17
Standard XL Tank Assembly.....	18
Standard XL Tank - Drain Saver, Vac Box, Baffle Assembly	19
Standard XL Tank - Vacuum Bandeau Assembly	20
Batteries & Chargers	21
Military Central Command Assembly.....	22
Touch Screen Central Command Assembly	24
Membrane Panel Central Command Assembly.....	26
ZerO3 Onboard Option Assembly	28
ZerO3 Onboard Option Plumbing.....	29
Squeegees	30
Common Wear Parts	32
Common Wear Parts	33
Tank Stickers	34



Item	Part No.	Part Description	Qty.	Item	Part No.	Part Description	Qty.
1	150-1061	BOSS	2	25	H-70856	NYLOK #8-32 SS	4
2	150-1106	SPORT FRAME	1	26	H-70858	NYLOK #10-32 SS	15
3	150-1123	TANK LATCH	2	27	H-70860	NYLOK 1/4"- 20 SS	17
4	150-1381	SQUEEGEE DRAG BRACKET	1	28	H-70861	NYLOK 5/16" - 18 SS	31
5	150-4500	24V VALVE	1	29	H-70923	KN #10-32 SS	10
6	150-5010	CASTER MOUNT	2	30	H-71009	FW #10 SS	4
7	170-1240	LATCH	2	31	H-71010	FW #10 ID X 11/16 OD SS	2
8	175-9135	INLINE FILTER W/BLACK 40 MESH SCREEN	1	32	H-71015	FW 5/16 ID X 3/4 OD SS	8
9	253-1099	AUTO SQUEEGEE LIFT BRACKET	1	33	H-71017	FW 3/8 ID X 7/8 OD SS	2
10	253-2240	2" STROKE 24V ACTUATOR 450 LB LOAD	1	34	H-71063	LW 1/4" SS	4
11	253-8910	PUMP, WATER JET	1	35	H-71067	LW 3/8" SS	2
12	260-1011	AXLE MOUNT (ASI DRIVE)	2	36"	H-72393	PPH #6-32 X 2" MS S/S	2
13	260-3001D	TRANS AXLE HUB	2	37	H-72398	PPH #8-32 X 1/2" S/S	4
14	260-3009	TRANS AXLE (24V)	1	38	H-72416	PPHMS #10-32 X 3/4" S/S	6
15	264-2440	ONBOARD CHARGER	1	39	H-73882	FHSCS 1/4"- 20 X 3/4" S/S	1
16	264-9516	CHARGER CONECTOR BRACKET	1	40	H-73907	FHSCS 5/16"- 18 X 3/4" SS	12
17	4-259	CONNECTOR, RED 50, HOUSING ONLY	2	41	H-74419	CB 1/4"- 20 X .75" SS	4
18	400-1225	.375 NPT X .25 BARB X 90 DEG	1	42	H-74429	CB 5/16"- 18 X 3/4" SS	19
19	H-0172520	CB #10-32 X 3/4" SS	4	43	H-9307K74	GROMMET, 1" ID X 1-3/4" OD BUNA-N	7
20	H-04763	ELBOW, 90 DEG X 3/8" MNPT X 1/2" BARB, NYLON	1	44	H-9540	RUBBER BUMPER, 25/32"	6
21	H-04788	.50 NPT X .50 BARB	2	45	H-RUE8	RUE RING COTTER	2
22	H-250HCN	HCN 1/4"-20	4	46	M-3043T13	1/4"-20 X 1.0" U-BOLT	2
23	H-66029	1/4" X 1 3/8" CLEVIS PIN	2	47	M-90133A440	3/8 ID X 5/8 OD RUBBER WASHER	2
24	H-70109	HCS 3/8"- 16 X 1-1/2" SS	2				

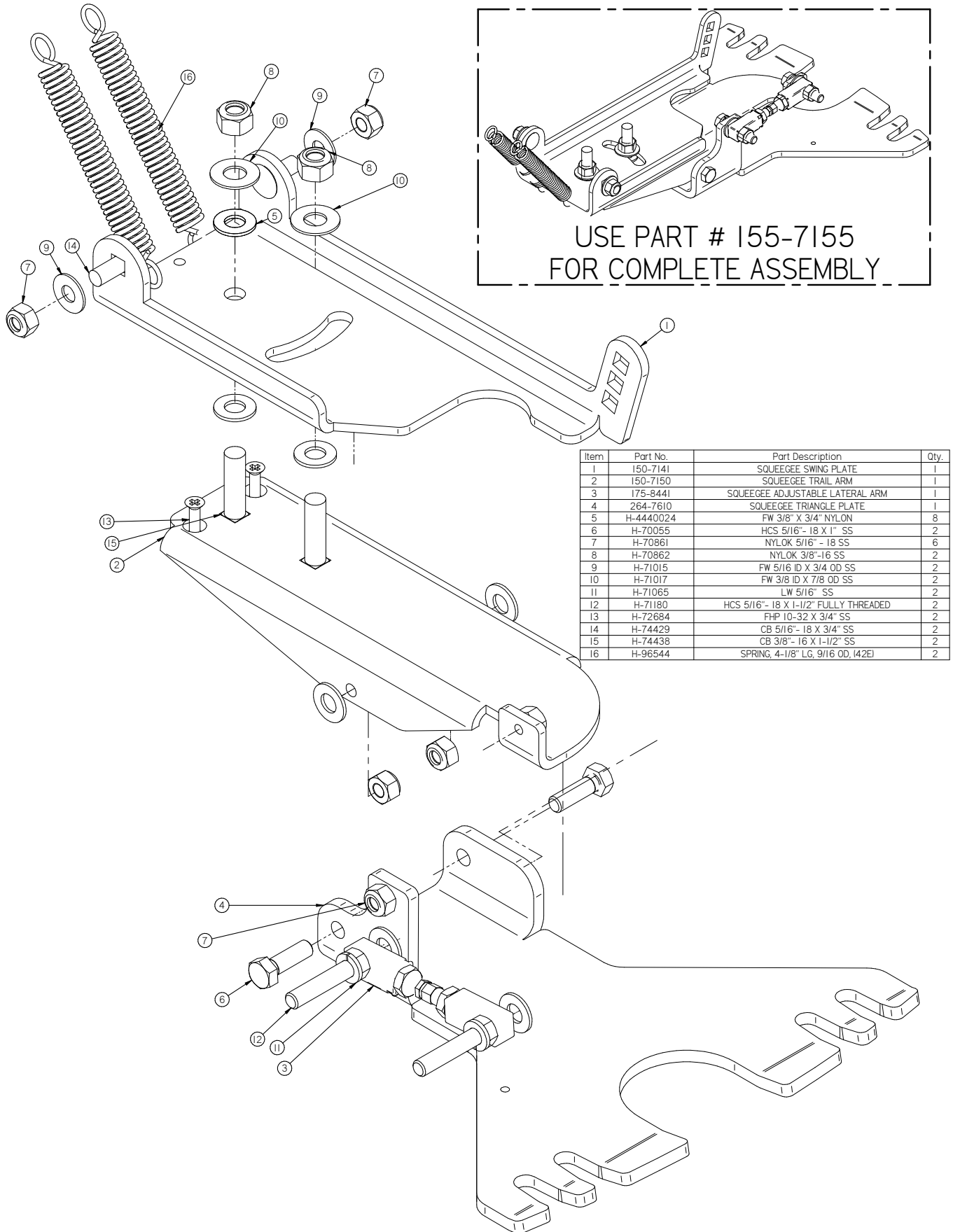


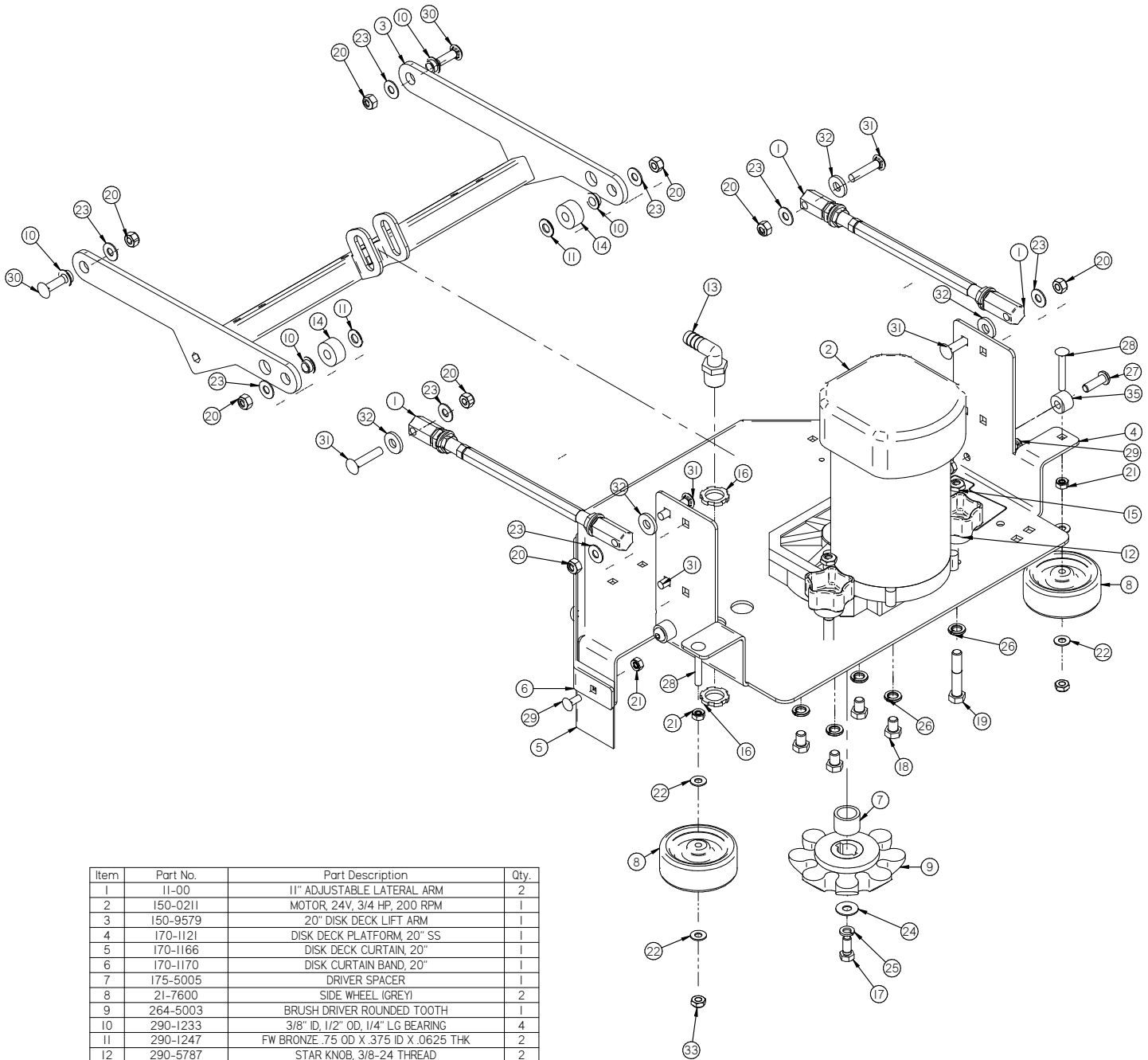
Item	Part No.	Part Description	Qty.
1	I75-9130	INLINE FILTER	1
2	I75-9135	INLINE FILTER W/BLACK 40 MESH SCREEN	1
3	H-04788	.50 NPT X .50 BARB	2
4	H-70860	NYLOK 1/4" - 20 SS	2
5	M-3043T13	1/4-20 X 1.0" U-BOLT	2
6	M-5463K461	.50 NPT X .375 BARB.par	2
7	T-050R6000	BULK 1/2" ID X 5' WIRE REINFORCED SOLUTION HOSE	1
8	T-050R6000	BULK 1/2" ID X 5' WIRE REINFORCED SOLUTION HOSE	1
9	T-375R6000	BULK 3/8" ID X 5' WIRE REINFORCED ZERO HOSE	1
10	T-375R6000	BULK 3/8" ID X 5' WIRE REINFORCED ZERO HOSE	1



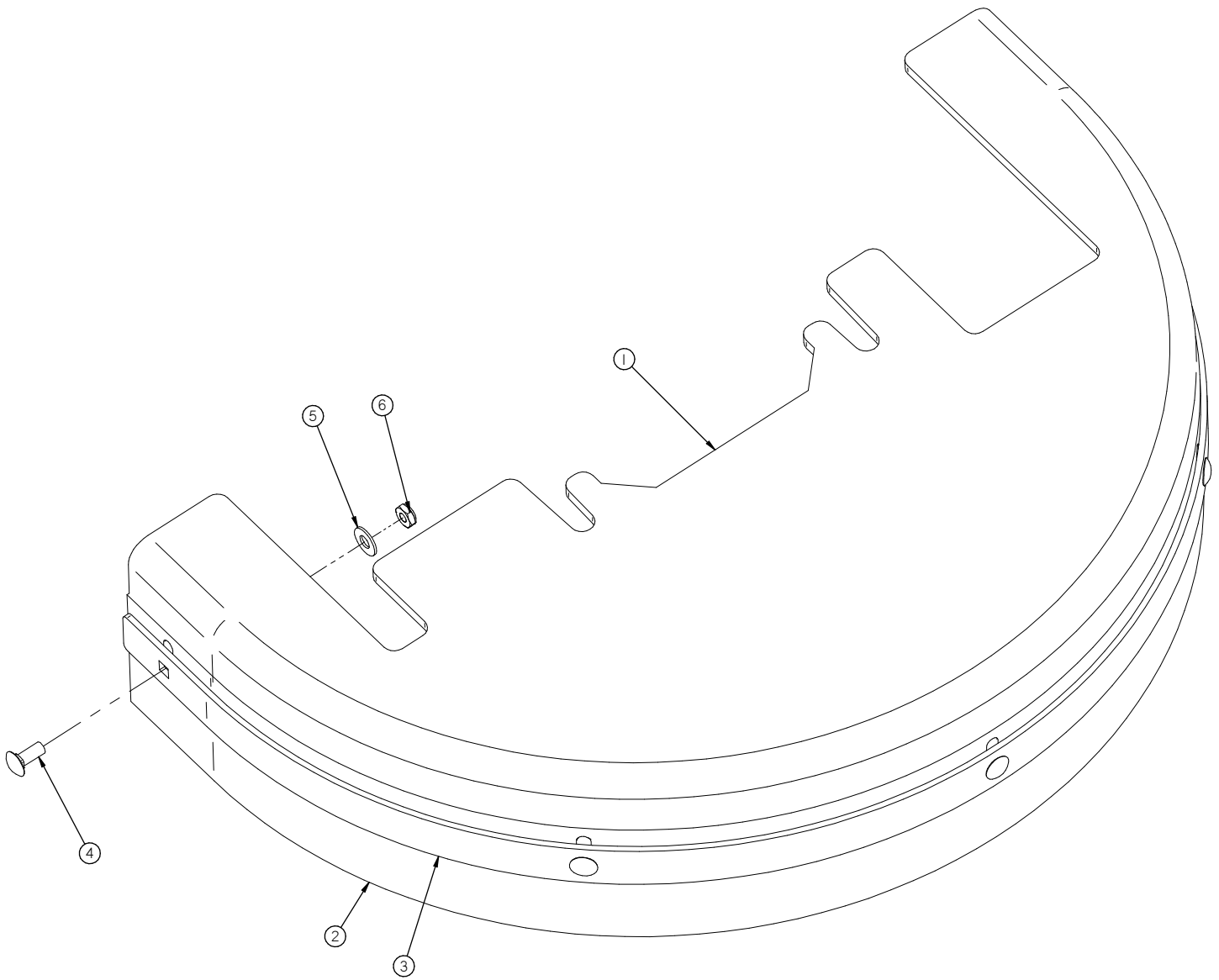
Item	Part No.	Part Description	Qty.
1	150-1256	ACTUATOR ANCHOR	1
2	253-2240	2" STROKE 24V ACTUATOR 450 LB LOAD	1
3	300-1150	ACTUATOR ARM	1
4	H-0156771	CLEVIS PIN, 1/2" OD X 2" LG.	1
5	H-0156773	CLEVIS PIN, 1/2" X 2-1/2"	1
6	H-03660	.50 ID SHAFT COLLAR WITH SET SCREW	1
7	H-70105	HCS 3/8"- 16 X 1" SS	1
8	H-70712	HN 3/8"-16 SS	1
9	H-RUE22	1/2" RUE RING COTTER	2

Squeegee Drag Link

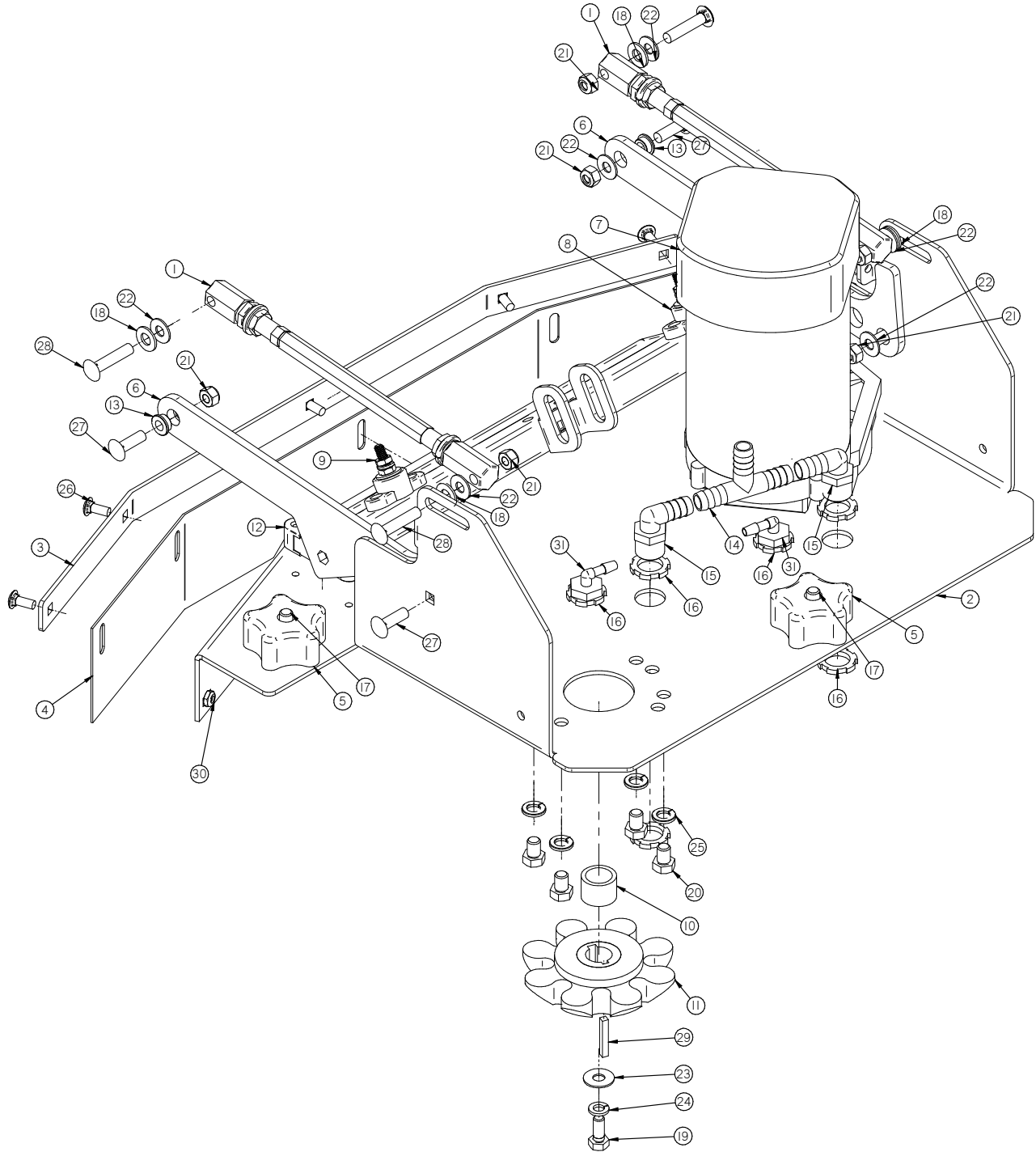




Item	Part No.	Part Description	Qty.
1	11-00	11" ADJUSTABLE LATERAL ARM	2
2	150-0211	MOTOR, 24V, 3/4 HP, 200 RPM	1
3	150-9579	20" DISK DECK LIFT ARM	1
4	170-1121	DISK DECK PLATFORM, 20" SS	1
5	170-1166	DISK DECK CURTAIN, 20"	1
6	170-1170	DISK CURTAIN BAND, 20"	1
7	175-5005	DRIVER SPACER	1
8	21-7600	SIDE WHEEL (GREY)	2
9	264-5003	BRUSH DRIVER ROUNDED TOOTH	1
10	290-1233	3/8" ID, 1/2" OD, 1/4" LG BEARING	4
11	290-1247	FW BRONZE .75 OD X .375 ID X .0625 THK	2
12	290-5787	STAR KNOB, 3/8"-24 THREAD	2
13	5-447	1/2 NPT X 1/2" BARB ELBOW	1
14	8-618	SPACER	2
15	H-0171004	JNYL 3/8- 24 SS	2
16	H-07005	1/2" NPT LOCKNUT	4
17	H-70053	HCS 5/16"- 18 X 3/4" SS	1
18	H-70133	HCS 3/8"-24 X 1/2" SS	4
19	H-70146	HCS 3/8"- 24 X 2" SS	2
20	H-70861	NYLOK 5/16"- 18 SS	8
21	H-70925	KN 1/4-20 S/S	7
22	H-71013	FW 1/4 ID X 5/8 OD SS	4
23	H-71015	FW 5/16 ID X 3/4 OD SS	8
24	H-71016	FW 5/16 ID X 7/8 OD SS	1
25	H-71065	LW 5/16" SS	1
26	H-71067	LW 3/8" SS	6
27	H-73780	BHSCS 5/16-18 X 1	2
28	H-74396	CB 1/4"- 20 X 1-3/4" SS	2
29	H-74418	CB 1/4"- 20 X 5/8" S/S	5
30	H-74430	CB 5/16"- 18 X 1" SS	2
31	H-74432	CB 5/16"- 18 X 1-1/2" SS	6
32	H-98025	FW 3/8" GRADE 8	4
33	H-NJ05C	JNYL 5/16"- 18 SS	4
34	M-5463K494	1/2 NPT X 1/4" BARB ELBOW	1
35	M-92825A201	.325" ID X 3/4" OD X 1/2" LDPE SPACER	2

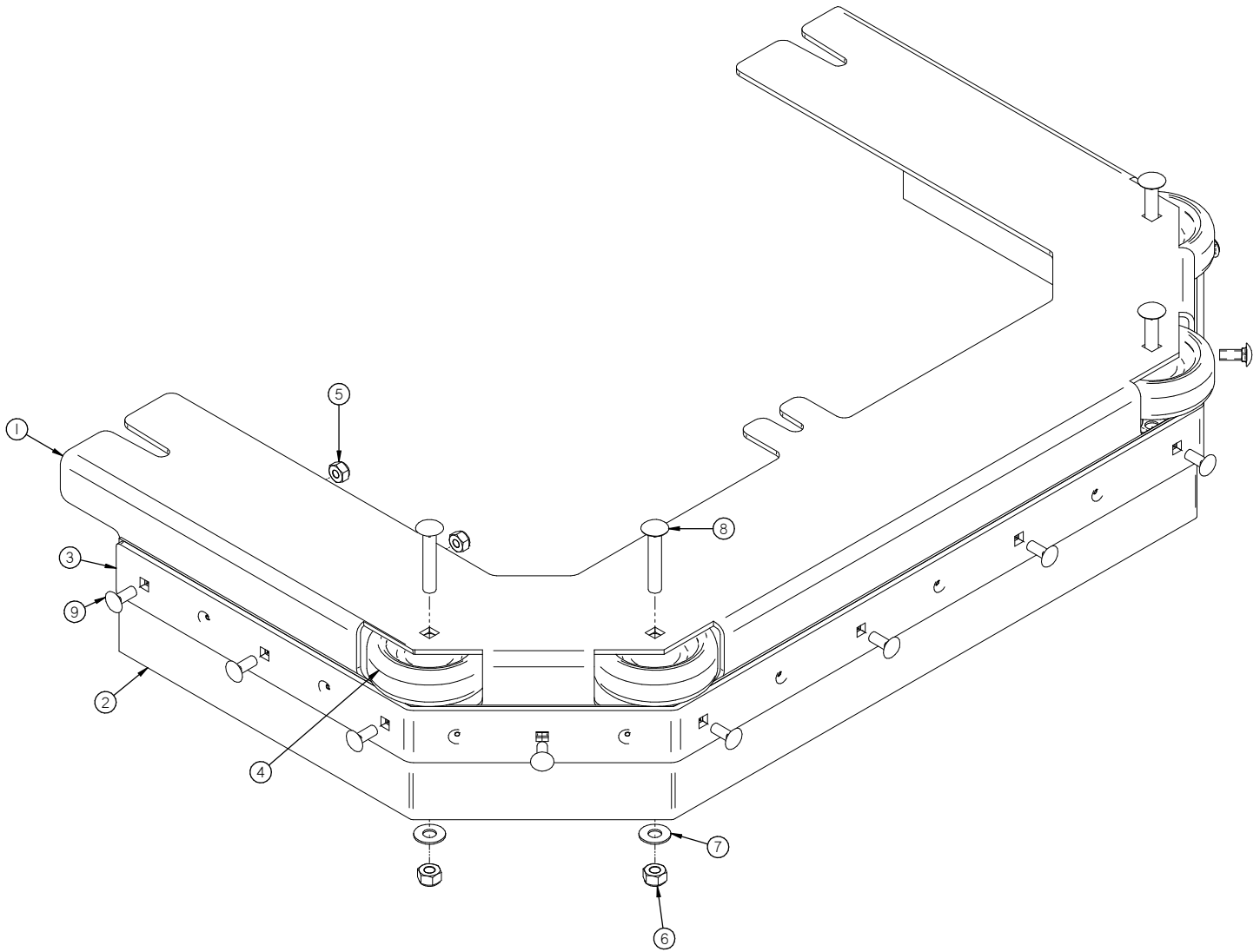


Item	Part No.	Part Description	Qty.
1	170-1141	DISK DECK SHROUD, 20"	1
2	260-1164	20" SHROUD CURTAIN	1
3	260-1174	20" SHROUD CURTAIN BAND	1
4	H-21800	CB 1/4" - 20 X 5/8" ZINK	5
5	H-33078	FW 1/4 ID X 5/8 OD ZINK	5
6	H-37020	JNYL 1/4" - 20 ZINK	5

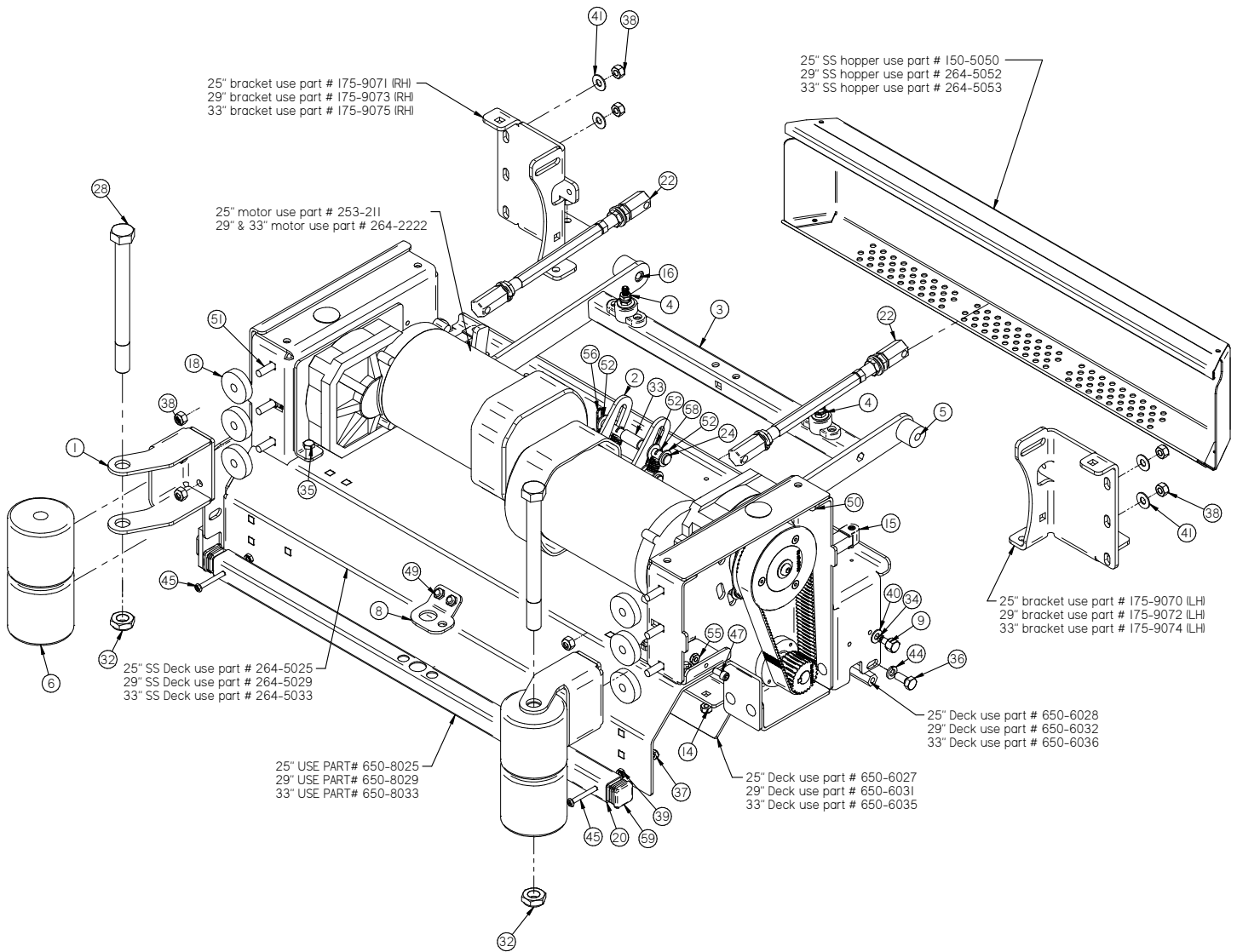


Item	Part No.	Part Description	Qty.	Item	Part No.	Part Description	Qty.
1	10-50	10.50" ADJUSTABLE LATERAL ARM	2	17	H-13815	HCS 3/8"- 16 X 2-1/2" ZINK (FULLY THREADED)	3
2	150-0403	DISK DECK PLATFORM, 26" SS	1	18	H-4440024	FW 3/8" X 3/4" NYLON	4
3	150-1154	CURTAIN BAND, 26"	1	19	H-70053	HCS 5/16"- 18 X 3/4" SS	2
4	150-1163	DISK DECK CURTAIN, 26"	1	20	H-70133	HCS 3/8"-24 X 1/2" SS	8
5	150-5786	STAR KNOB, 3/8-16 THREAD	3	21	H-70861	NYLOK 5/16" - 18 SS	8
6	150-9589	SCRUBDECK LIFT ARM, DISK	1	22	H-71015	FW 5/16 ID X 3/4 OD SS	8
7	175-2111	MOTOR, 24V, 3/4 HP, 270 RPM	2	23	H-71016	FW 5/16 ID X 7/8 OD SS	2
8	175-2700	NEG INSULATOR POST (BLACK)	1	24	H-71065	LW 5/16" SS	2
9	175-2710	POS INSULATOR POST (RED)	1	25	H-71067	LW 3/8" SS	11
10	175-5005	DRIVER SPACER	2	26	H-74418	CB 1/4"- 20 X 5/8" S/S	5
11	264-5003	BRUSH DRIVER 8 LOBE	2	27	H-74430	CB 5/16"- 18 X 1" SS	4
12	300-4030	LEVEL	2	28	H-74432	CB 5/16"- 18 X 1-1/2" SS	4
13	370-1247	BUSHING 5/16 X 1/2 X 3/16	4	29	H-K14320	3/16" X 1/4" KEY	2
14	5-446	1/2" PLASTIC BARB TEE	1	30	H-NJ04C	JNYL 1/4" - 20 SS	5
15	5-447	1/2 NPT X 1/2" BARB ELBOW	2	31	M-5463K494	1/2 NPT X 1/4" BARB ELBOW	2
16	H-07005	1/2" NPT LOCKNUT	8				

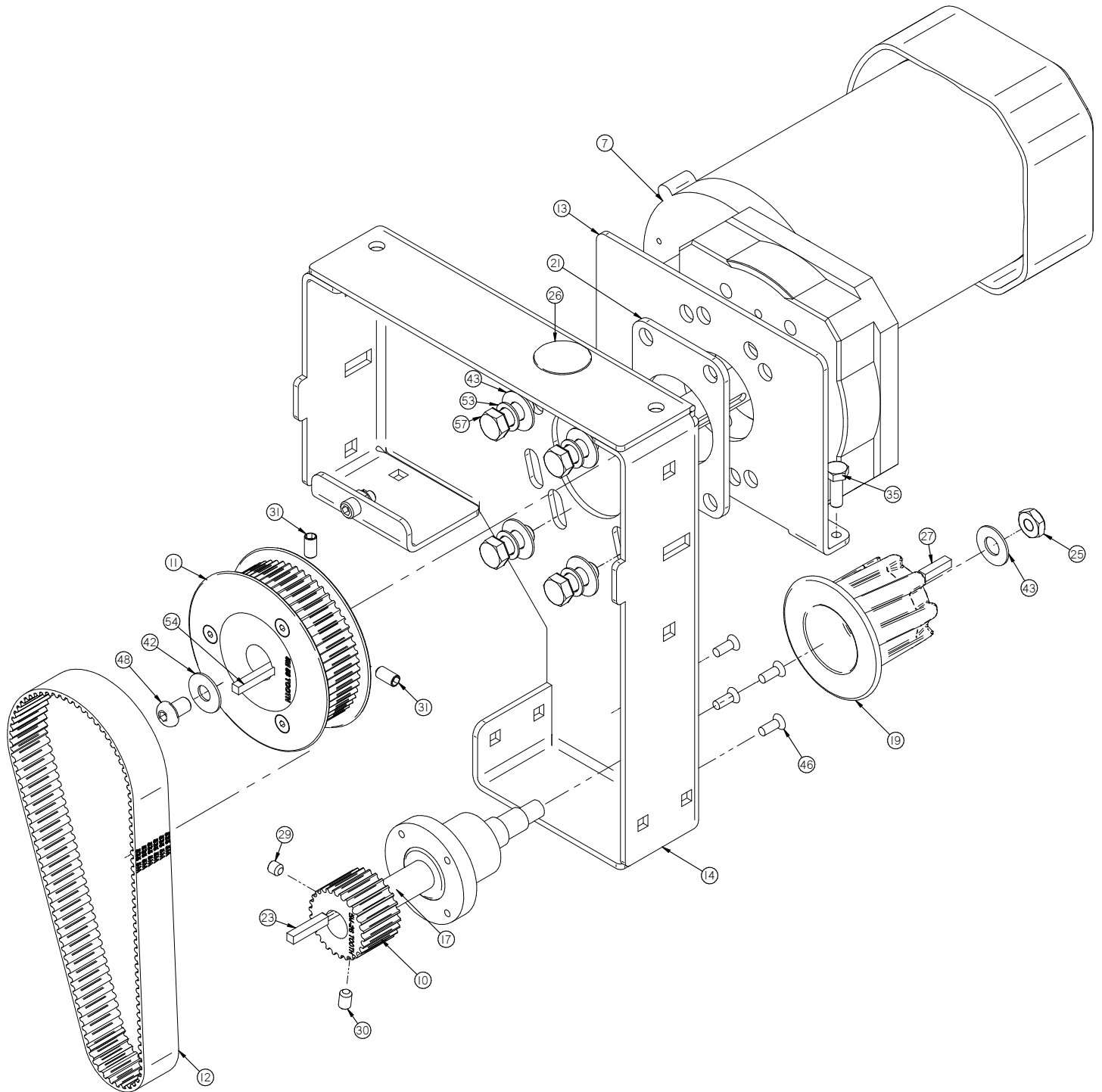
26 Inch Disk Deck Shroud

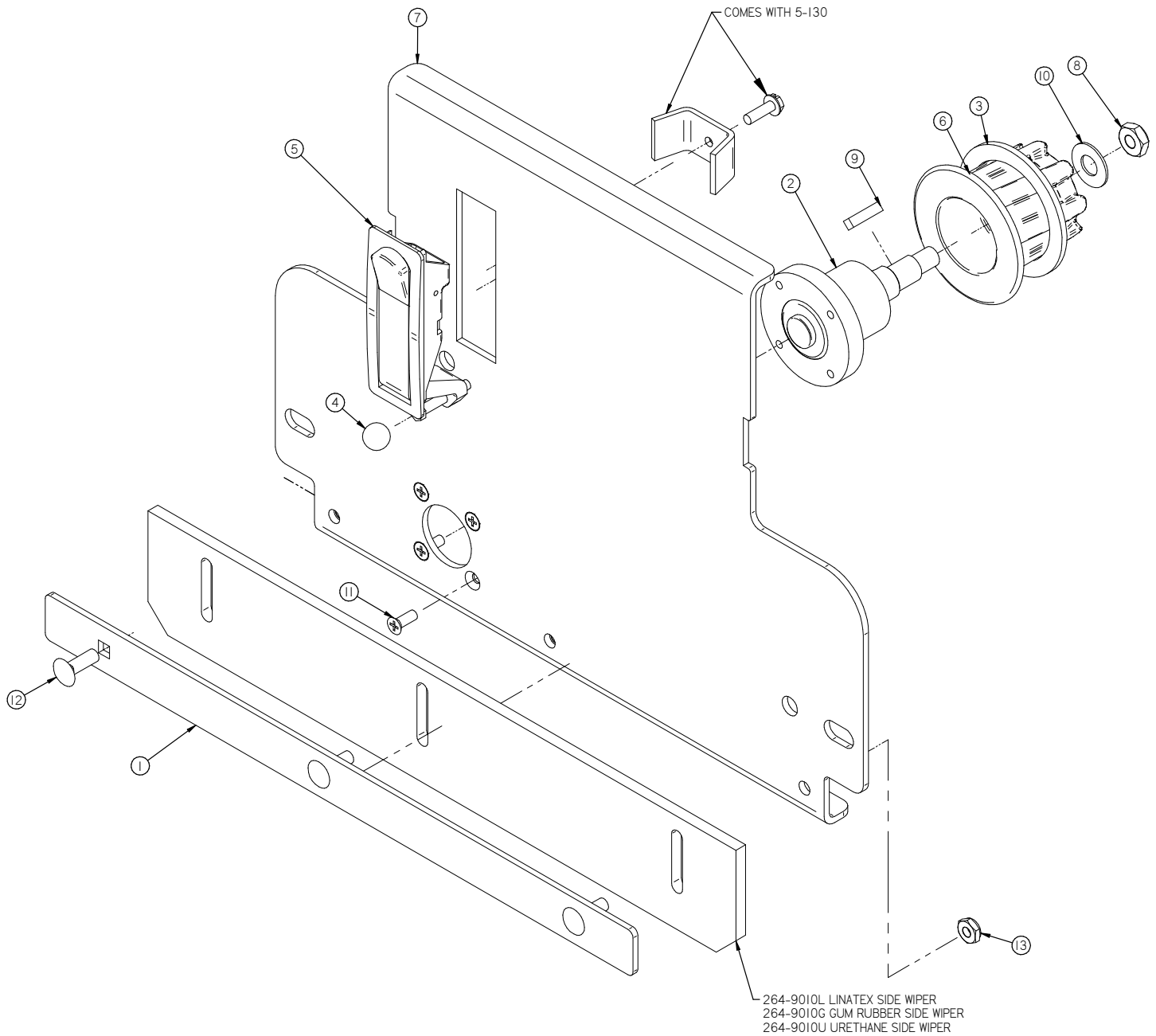


Item	Part No.	Part Description	Qty.
1	150-1110	26 INCH SHROUD	1
2	150-1164	26" SHROUD CURTAIN	1
3	150-1174	26" SHROUD CURTAIN BAND	1
4	150-7601	3" SIDE WHEEL (GREY)	4
5	H-70860	NYLOK 1/4"- 20 SS	12
6	H-70861	NYLOK 5/16" - 18 SS	4
7	H-71015	FW 5/16 ID X 3/4 OD SS	4
8	H-74401	CB 5/16"- 18 X 1-3/4" SS	4
9	H-74418	CB 1/4"- 20 X 5/8" S/S	12



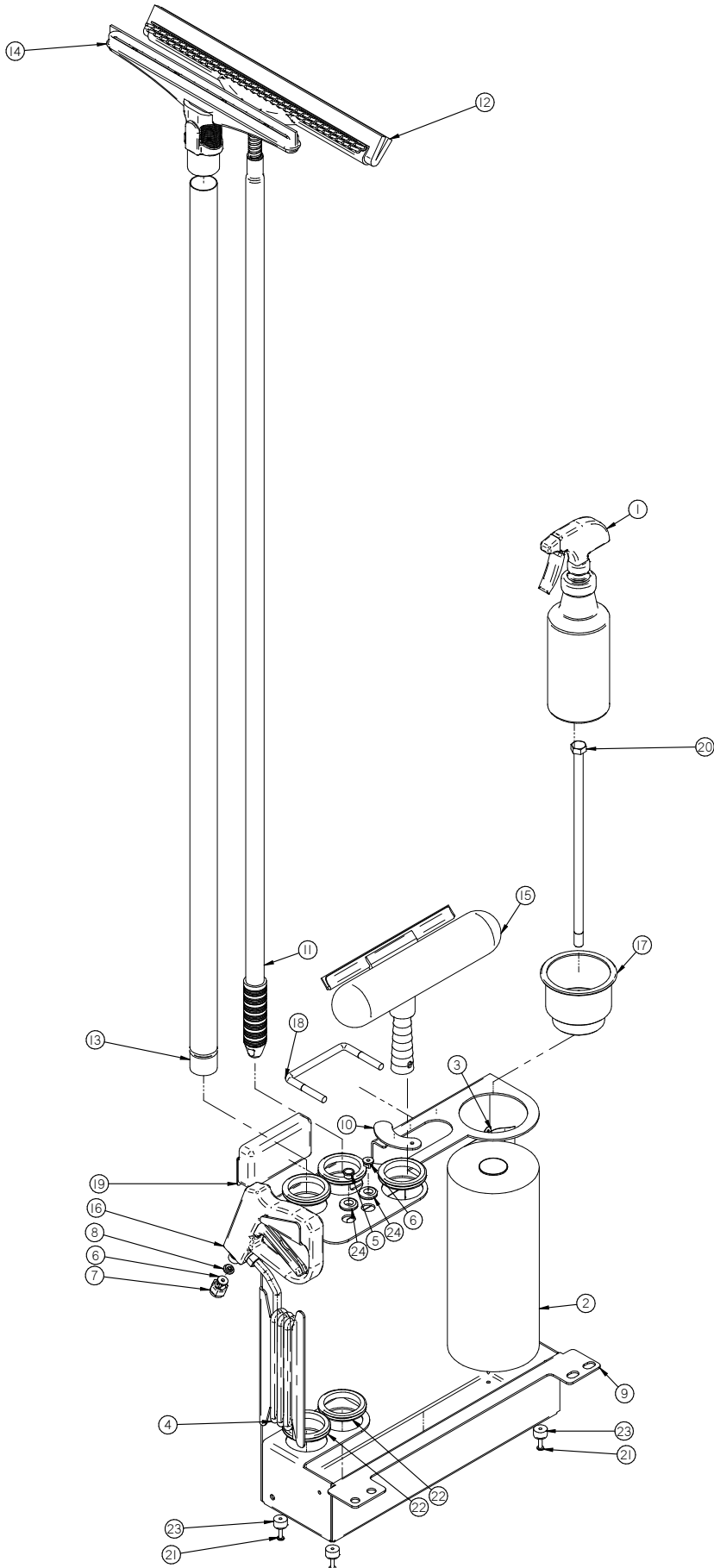
Item	Part No.	Part Description	Qty.	Item	Part No.	Part Description	Qty.
1	150-1129	ROLLER BRACKET	2	31	H-25382	SETSCREW, KCP, 1/4"-20 X 1/2"	4
2	150-9006	DECK LIFTING BRACKET	1	32	H-37038	JNYL 5/8" - 11	2
3	150-9590	SCRUBDECK LIFT ARM, CYLINDRICAL	1	33	H-63917	SLEEVE, .50 OD X .375 ID X 1.0 LG	1
4	175-2700	NEG INSULATOR POST (BLACK)	2	34	H-66802	O-RING, 3/16" X 5/16" X #8 BUNA	2
5	175-8460	STANDOFF, .8125"	2	35	H-70003	HCS 1/4"-20 X 3/4" SS	4
6	21-1127	ROLLER	4	36	H-70053	HCS 5/16"- 18 X 3/4" SS	2
7	253-211	MOTOR, 24V, 3/4 HP, 350 RPM	2	37	H-70858	NYLOK #10-32 SS	2
8	253-9003	QUICK DISCONNECT BRACKET	1	38	H-70861	NYLOK 5/16" - 18 SS	19
9	253-9024	THUMB SCREW	2	39	H-70923	KN #10-32 SS	2
10	264-8215	TIMING SPROCKET 26 TOOTH	2	40	H-71013	FW 1/4 ID X 5/8 OD SS	2
11	264-8225	TIMING SPROCKET 56 TOOTH	2	41	H-71015	FW 5/16 ID X 3/4 OD SS	4
12	264-8230	535 5M TIMING BELT	2	42	H-71016	FW 5/16 ID X 7/8 OD SS	2
13	264-9002	MOTOR ADJ BRACKET	2	43	H-71017	FW 3/8 ID X 7/8 OD SS	10
14	264-9029	CYLINDRICAL BRUSHHEAD, 29"	1	44	H-71065	LW 5/16" SS	2
15	300-4030	LEVEL	2	45	H-72554	PPH #10-32 X 1-1/2"	2
16	370-1247	BUSHING 5/16 X 1/2 X 3/16	4	46	H-72682	FHP #10-32 X 1/2" SS	8
17	370-8240A	BEARING HOUSING/BEARING	2	47	H-73459	SHCS 1/4-20 X 1/2 SS	3
18	4-446	GROMMET-3/8 ID X 1-1/2 OD X .375	6	48	H-73777	BHSCS 5/16-18 X 1/2"	2
19	600-8371	CYLINDRICAL DRIVER (HARDCOAT)	2	49	H-74417	CB 1/4"- 20 X .5" SS	2
20	650-8025	SQ. SOLUTION FEED TUBE (25")	1	50	H-74429	CB 5/16"- 18 X 3/4" SS	14
21	650-9004	MOTOR SPACER	2	51	H-74430	CB 5/16"- 18 X 1" SS	6
22	9-75	9-3/4" ADJUSTABLE LATERAL ARM	2	52	H-76063	FW 3/8" X 5/8" NYLON	8
23	H-01125	3/16" X 1" KEY	2	53	H-90895	WASHER, SERRATED BELLEVILLE, 3/8", S/S	8
24	H-0156759	3/8" X 4" CLEVIS PIN SS	2	54	H-K14320	3/16" X 1 1/4" KEY	2
25	H-0171004	JNYL 3/8- 24 SS	2	55	H-NJ04C	JNYL 1/4" - 20 SS	5
26	H-0708891	HOLE PLUG 1"	2	56	H-RUE14	3/8" RUE RING COTTER	2
27	H-0953152	3/16" X 3/4" KEY	2	57	M-92865A214	HCS 3/8"-24 X 7/8" SS	8
28	H-13327	HB 5/8"- 11 X 7"	2	58	M-9432K75	Spring 1.375 LG X .5 OD X .063 Wire	4
29	H-25379	SETSCREW, KCP, 1/4"-20 X 1/4"	2	59	M-9565K51	1.0 X 1.0 SQ TUBE PLUG	2
30	H-25381	1/4"-20 X 3/8" KURL SET SCREW	2				



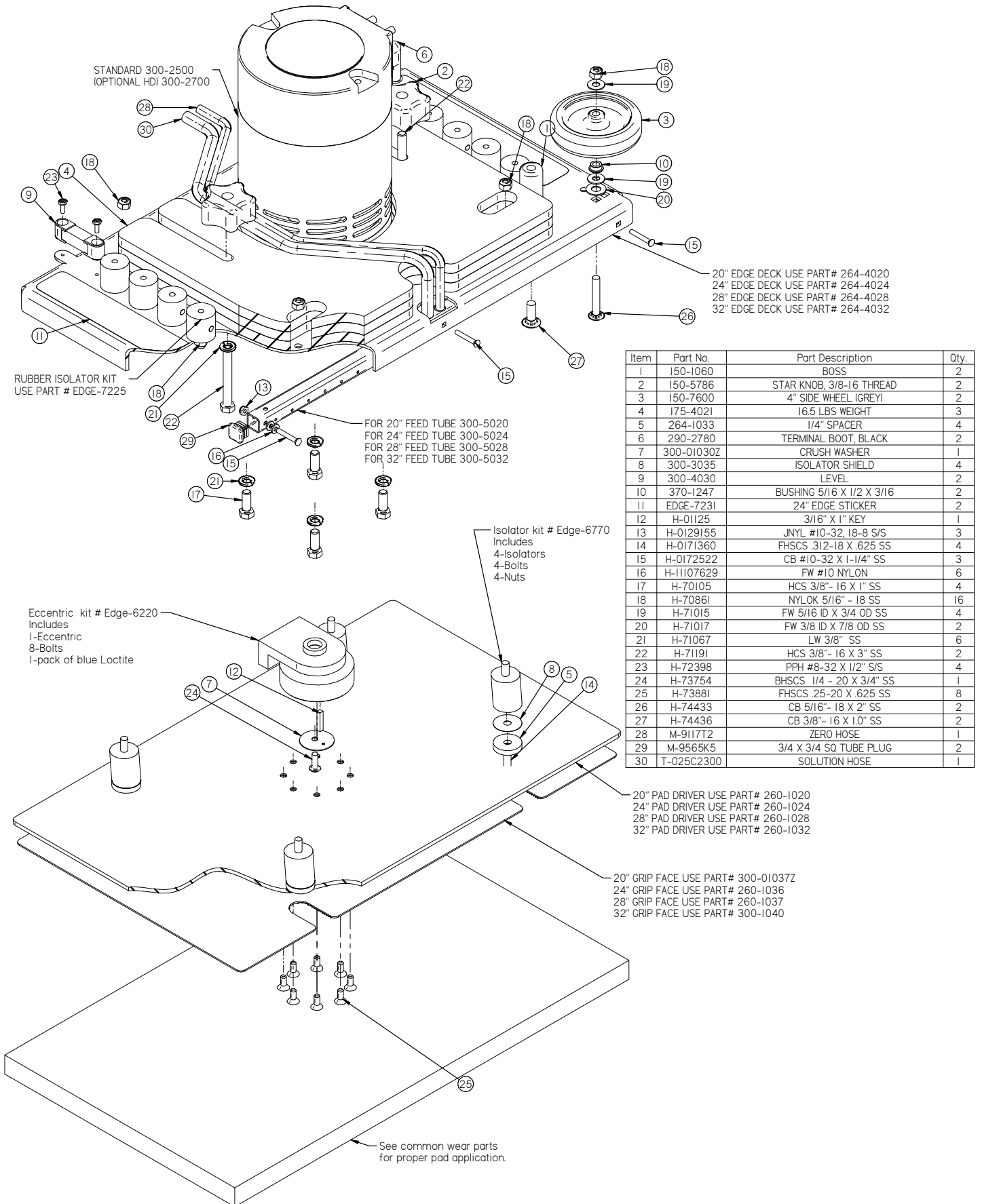


Item	Part No.	Part Description	Qty.
1	264-9015	WIPER BAND	1
2	370-8241A	IDLER DRIVE BEARING	1
3	370-8373	CYLINDRICAL DRIVER SEAL	1
4	5-100	GROMMET	1
5	5-130	DOOR LATCH	1
6	600-8371	CYLINDRICAL DRIVER (HARDCOAT)	1
7	650-6022	DRIVE COVER (SS)	1
8	H-0171004	JNYL 3/8- 24 SS	1
9	H-0953152	3/16" X 3/4" KEY	1
10	H-71017	FW 3/8 ID X 7/8 OD SS	1
11	H-72682	FHP #10-32 X 1/2" SS	4
12	H-74419	CB 1/4"- 20 X.75" SS	3
13	H-NJ04C	JNYL 1/4" - 20 SS	3

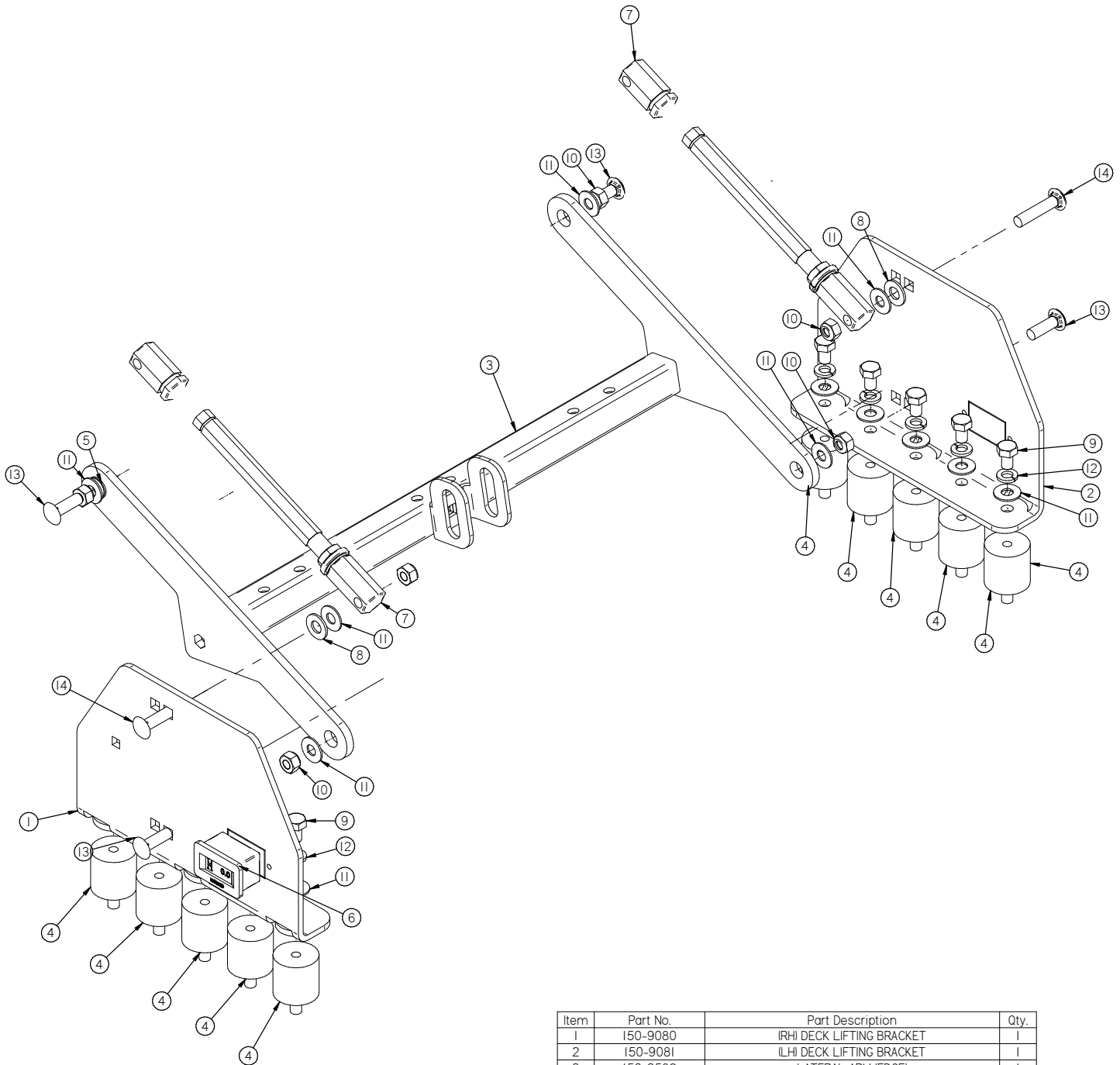
Clean Caddy



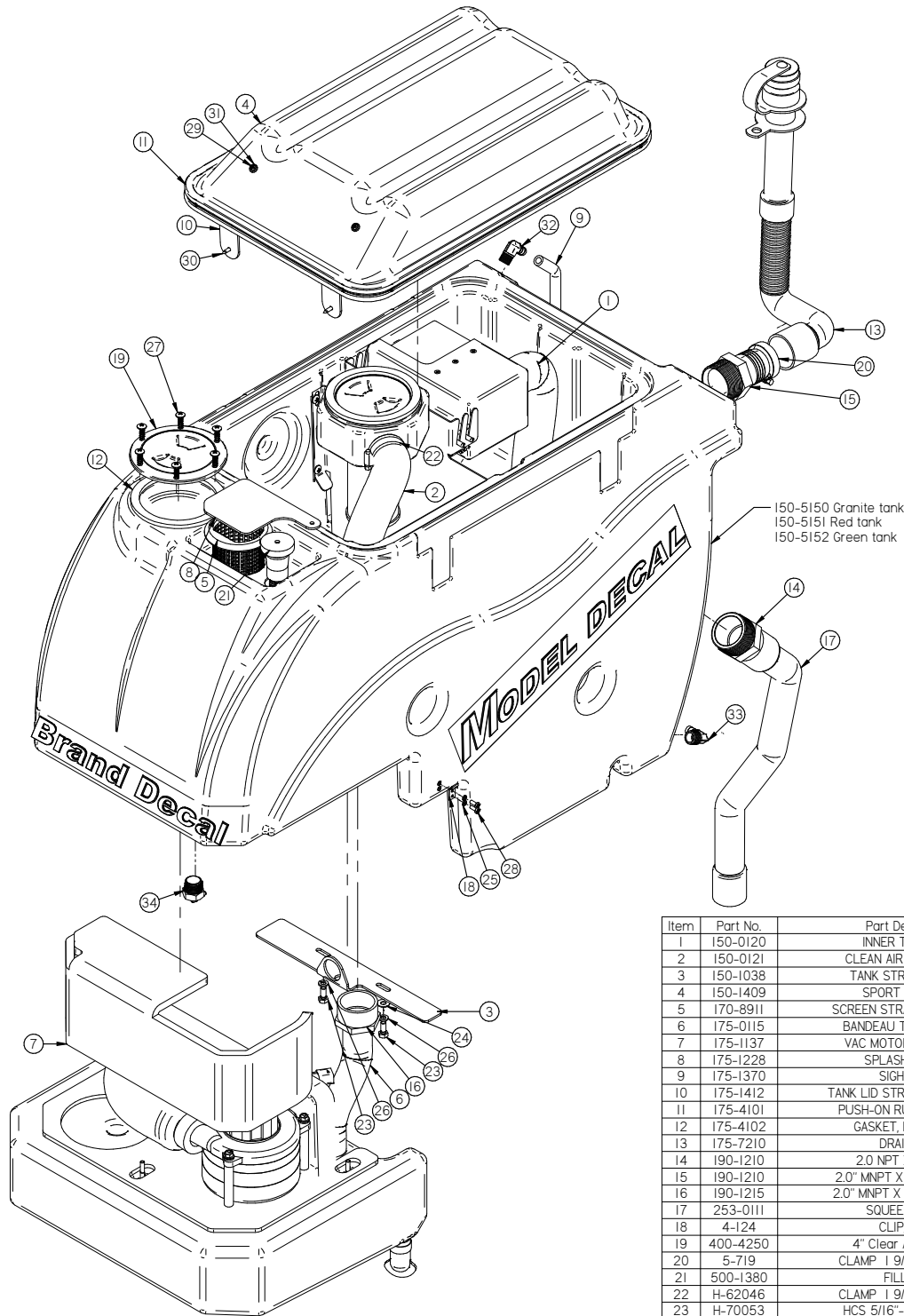
Item	Part No.	Part Description	Qty.
1		ROUND SOAP BOTTLE	1
2		PAPER TOWEL	1
3		BLADE	1
4		SPRAY HOSE	1
5		stream spray tip	1
6		40 deg spray tip	2
7		spray tip nut	1
8		spray tip seal	1
9	150-8810	CLEAN CADDIE	1
10	150-8814	HOSE LATCH	1
11	150-8850	SCRUB BRUSH STICK	1
12	150-8860		1
13	150-8870	TUBE, WAND, STRAIGHT, 59"	1
14	150-8890		1
15	150-8895		1
16	150-8950	SPRAY GUN	1
17	370-0014	CUP HOLDER	1
18	5-834	HOPPER HANDLE	1
19	5-849	RECESSED HANDLE	1
20	H-15237	HCS 1/2"-13 X 13" GRADE 8	1
21	H-72534	PPH #10-32 X 3/4" 5/S	4
22	H-9307K74	GROMMET, 2" ID X 2-5/8" OD	5
23	H-9540	RUBBER BUMPER, 25/32"	4
24	M-9307K22	GROMMET, RUBBER 3/8 ID X 7/8 OD X 5/16 TH.	2



EDGE Lifting Bracket



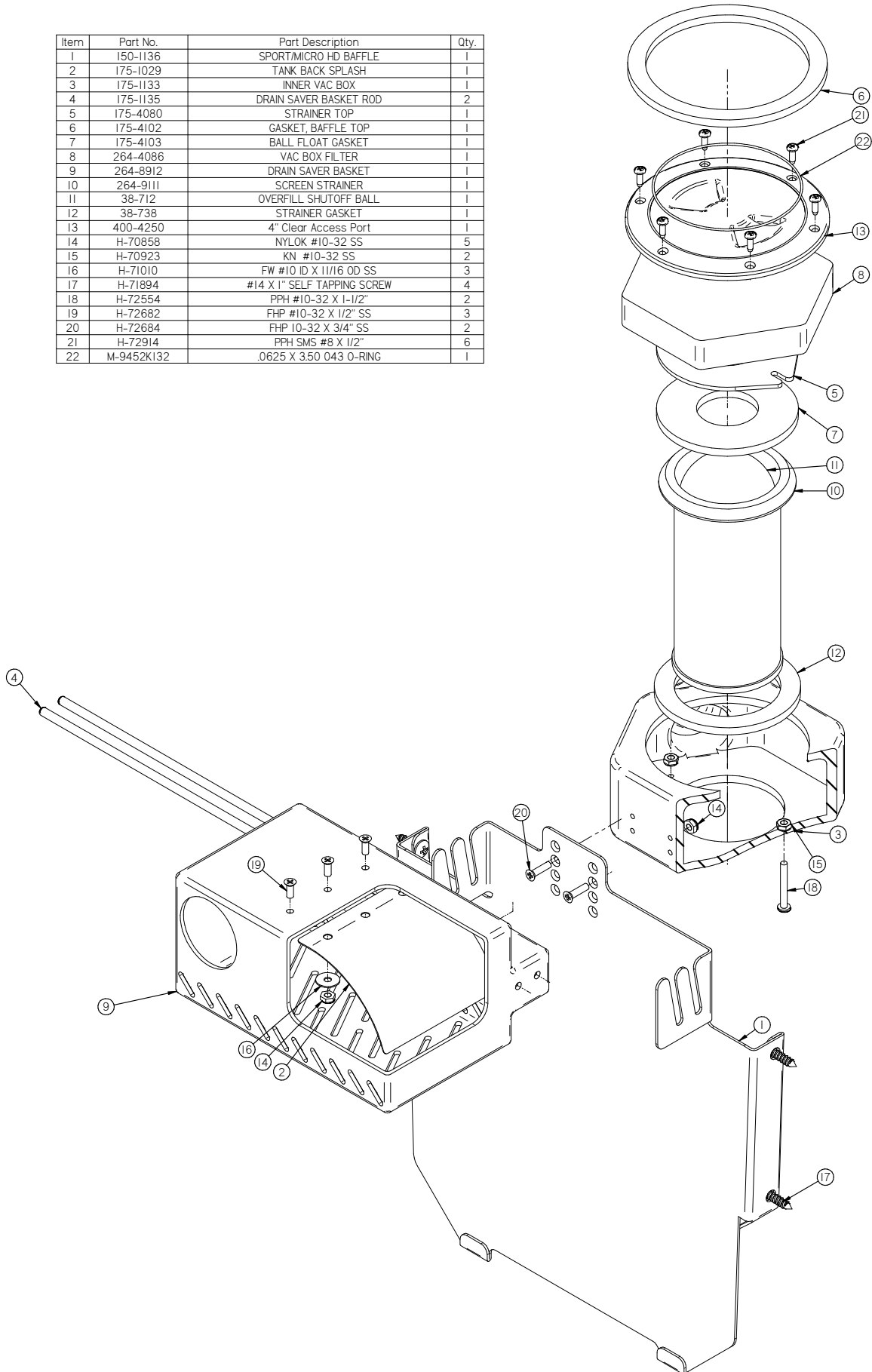
Item	Part No.	Part Description	Qty.
1	150-9080	IRH DECK LIFTING BRACKET	1
2	150-9081	ILH DECK LIFTING BRACKET	1
3	150-9582	LATERAL ARM (EDGE)	1
4	300-01032Z	RUBBER ISOLATOR	10
5	370-1247	BUSHING 5/16 X 1/2 X 3/16	4
6	8-262	HOUR METER	1
7	9-25	9.25" ADJUSTABLE LATERAL ARM	2
8	H-4440024	FW 3/8" X 3/4" NYLON	2
9	H-70051	HCS 5/16"- 18 X 1/2"	10
10	H-70861	NYLON 5/16" - 18 SS	6
11	H-71015	FW 5/16 ID X 3/4 OD SS	16
12	H-71065	LW 5/16" SS	10
13	H-74430	CB 5/16"- 18 X 1" SS	4
14	H-74432	CB 5/16"- 18 X 1-1/2" SS	2



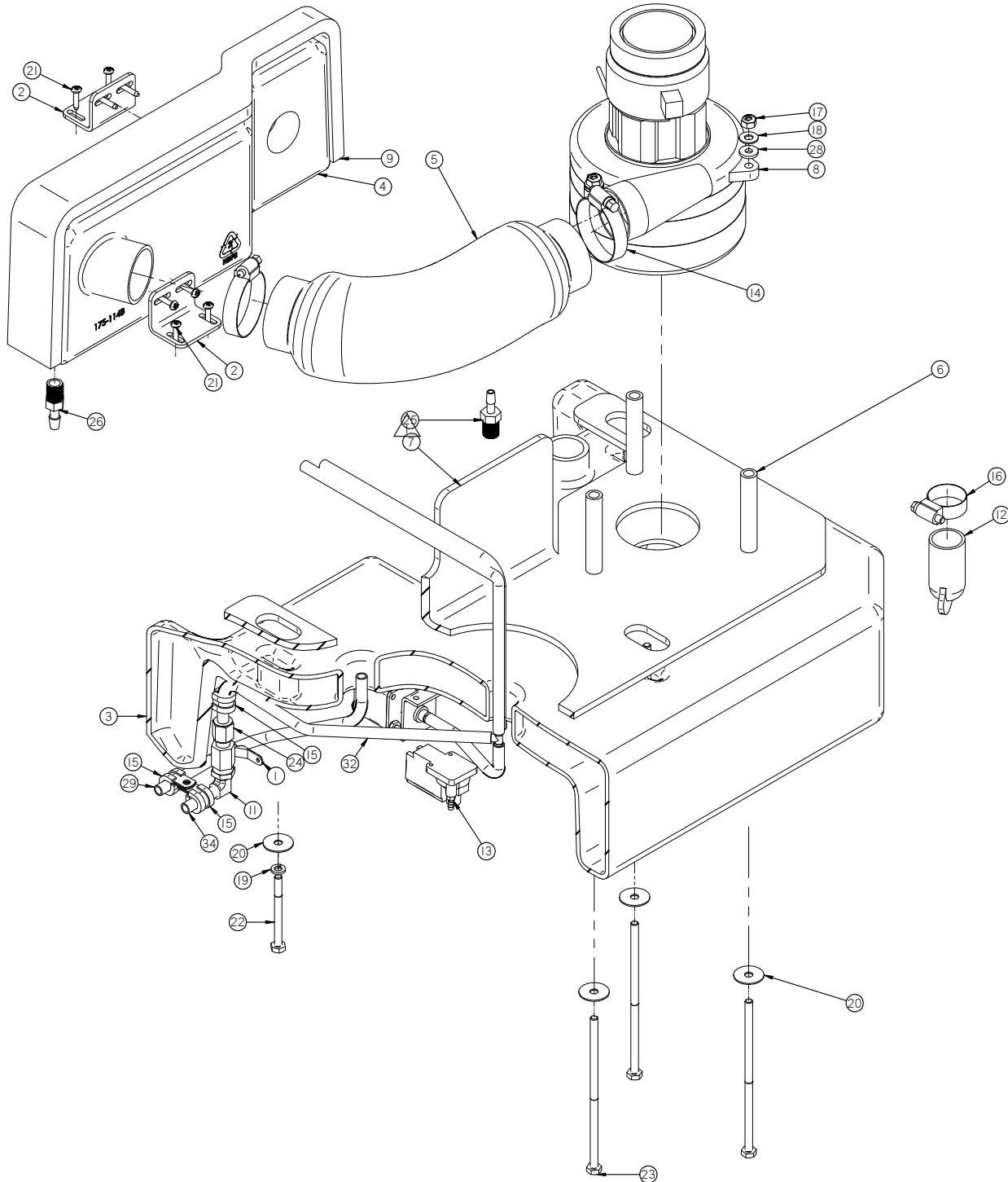
Item	Part No.	Part Description	Qty.
1	150-0120	INNER TANK HOSE	1
2	150-0121	CLEAN AIR INTAKE HOSE	1
3	150-1038	TANK STRAP BRACKET	1
4	150-1409	SPORT CLEAR LID	1
5	170-8911	SCREEN STRAINER, 4-1/4" LG	1
6	175-0115	BANDEAU TO TANK HOSE	1
7	175-1137	VAC MOTOR INSULATION	1
8	175-1228	SPLASH CURTAIN	1
9	175-1370	SIGHT TUBE	1
10	175-1412	TANK LID STRAP W/GROMMETS	2
11	175-4101	PUSH-ON RUBBER GASKET	1
12	175-4102	GASKET, BAFFLE TOP	1
13	175-7210	DRAIN HOSE	1
14	190-1210	2.0 NPT X 2.0" BARB	1
15	190-1210	2.0" MNPT X 2.0" BARB, PVC	1
16	190-1215	2.0" MNPT X 1.50" BARB, PVC	1
17	253-0111	SQUEEGEE HOSE	1
18	4-124	CLIP, LATCH	1
19	400-4250	4" Clear Access Port	1
20	5-719	CLAMP 1 9/16 - 2 1/2" SS	1
21	500-1380	FILL HOSE	1
22	H-62046	CLAMP 1 9/16 - 2 1/2" SS	1
23	H-70053	HCS 5/16"-18 X 3/4" SS	2
24	H-71015	FW 5/16 ID X 3/4 OD SS	1
25	H-71059	LW #10, SS	2
26	H-71065	LW 5/16" SS	2
27	H-71894	#14 X 1" SELF TAPPING SCREW SS	6
28	H-72515	PPH #10-32 X 1/2" S/S	2
29	H-72534	PPH #10-32 X 3/4" S/S	2
30	H-72916	PPH SMS #8 X 3/4" SS	2
31	H-90133	.17 ID X .5 OD X .093 NEOPRENE WASHER	2
32	M-53525K21	ELBOW, 3/8" MNPT X 1/2" BARB, BRASS	1
33	M-53525K58	ELBOW, 1/2" MNPT X 1/2" BARB, BRASS	1
34	M-5463K496	.75 NPT X .25 BARBED X 90 DEG.par	1

Standard XL Tank - Drain Saver, Vac Box, Baffle Assembly

Item	Part No.	Part Description	Qty.
1	150-1136	SPORT/MICRO HD BAFFLE	1
2	175-1029	TANK BACK SPLASH	1
3	175-1133	INNER VAC BOX	1
4	175-1135	DRAIN SAVER BASKET ROD	2
5	175-4080	STRAINER TOP	1
6	175-4102	GASKET, BAFFLE TOP	1
7	175-4103	BALL FLOAT GASKET	1
8	264-4086	VAC BOX FILTER	1
9	264-8912	DRAIN SAVER BASKET	1
10	264-9111	SCREEN STRAINER	1
11	38-712	OVERFILL SHUTOFF BALL	1
12	38-738	STRAINER GASKET	1
13	400-4250	4" Clear Access Port	1
14	H-70858	NYLOK #10-32 SS	5
15	H-70923	KN #10-32 SS	2
16	H-71010	FW #10 ID X 11/16 OD SS	3
17	H-71894	#14 X 1" SELF TAPPING SCREW	4
18	H-72554	PPH #10-32 X 1-1/2"	2
19	H-72682	FHP #10-32 X 1/2" SS	3
20	H-72684	FHP 10-32 X 3/4" SS	2
21	H-72914	PPH SMS #8 X 1/2"	6
22	M-9452K132	.0625 X 3.50 O43 O-RING	1



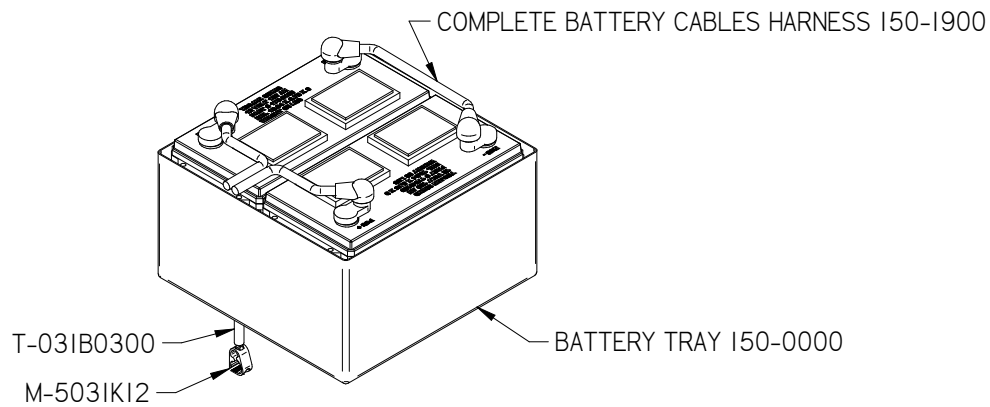
Standard XL Tank - Vacuum Bandeau Assembly



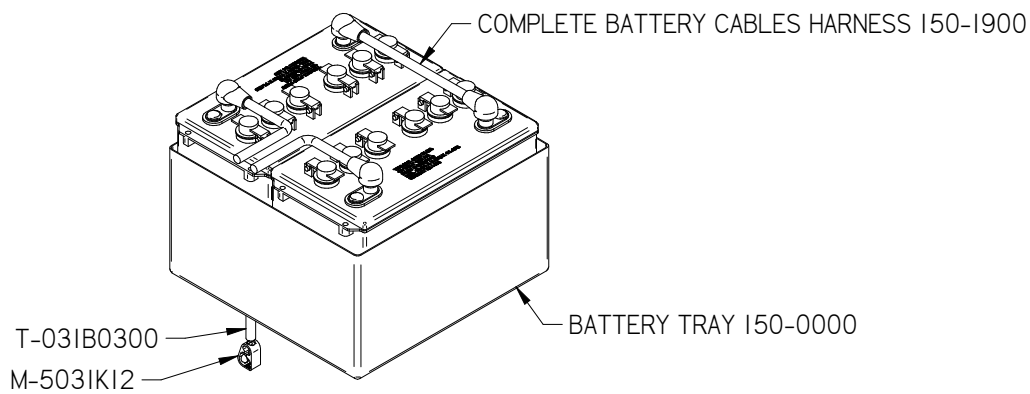
Item	Part No.	Part Description	Qty.	Item	Part No.	Part Description	Qty.
1	170-4158	1/4" NPT VALVE	1	18	H-71013	FW 1/4 ID X 5/8 OD SS	3
2	175-1129	VAC MUFFLER BRACKET	2	19	H-71063	LW 1/4" SS	3
3	175-1146	MINI-HD CARBON BANDEAU VAC BOX	1	20	H-71212	FNW 1/4 ID X 1.0 OD SS	6
4	175-1148	VAC MUFFLER WALL	1	21	H-72916	PPH SMS #8 X 3/4" SS	8
5	175-2502	MINI-HD CARBON MUFFLER	1	22	H-77014	HCS 1/4"- 20 X 2.75" SS	3
6	175-2600	SPACER, 3.0" LG	3	23	H-77025	HCS 1/4"- 20 X 6.0" SS	3
7	175-3000	16/17GA VAC MOTOR GASKET	1	24	M-5346K51	25 NPTF X .125 BRASS BARBED HOSE FITTING	1
8	175-5250	VAC MOTOR, 3/4 HP, TANGENTIAL	1	25	M-5463K439	.25 NPT X .125 BARB	1
9	175-7421	TANK GASKET	1	26	M-5463K445	.25 NPT X .25 BARB	1
10*	253-8500	SOAP PUMP, 24V	1	27*	M-5463K606	1/4" X 1/4" PLASTIC BARBED TEE	1
11	290-4149	1/4" NPT X 1/4" BARB X 90 DEG	1	28	M-90130A029	.25" NEOPRENE WASHER	3
12	390-1505	LOADER VALVE	1	29	T-025B6000	BULK 1/4" ID X 5' BLUE VAC DRAIN HOSE	1
13	390-2328	SWITCH, VACUUM SHUTOFF	1	30*	T-025C6000	BULK 1/4" ID X 5' CLEAR SUDS HOSE	1
14	5-719	CLAMP, 1 9/16 - 2 1/2" SS	2	31*	T-025C6000	BULK 1/4" ID X 5' CLEAR SUDS HOSE	1
15	H-0127290	1/2" LOOP CLAMP	3	32	T-025C6000	BULK 1/4" ID X 5' CLEAR SUDS HOSE	1
16	H-62005	CLAMP 5/8"- 1-1/2" SS	1	33*	T-025C6000	BULK 1/4" ID X 5' CLEAR SUDS HOSE	1
17	H-70860	NYLOK 1/4"- 20 SS	3	34	T-025G6000	BULK 1/4" ID X 5' GREEN SUDS DRAIN HOSE	1

Batteries & Chargers

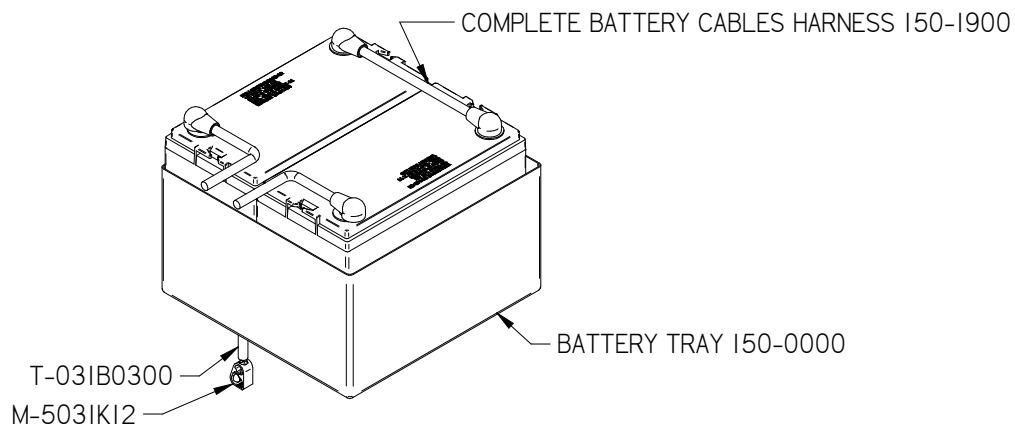
130 AH WET TROJANS 170-2109



150 AH WET TROJAN 200-2110

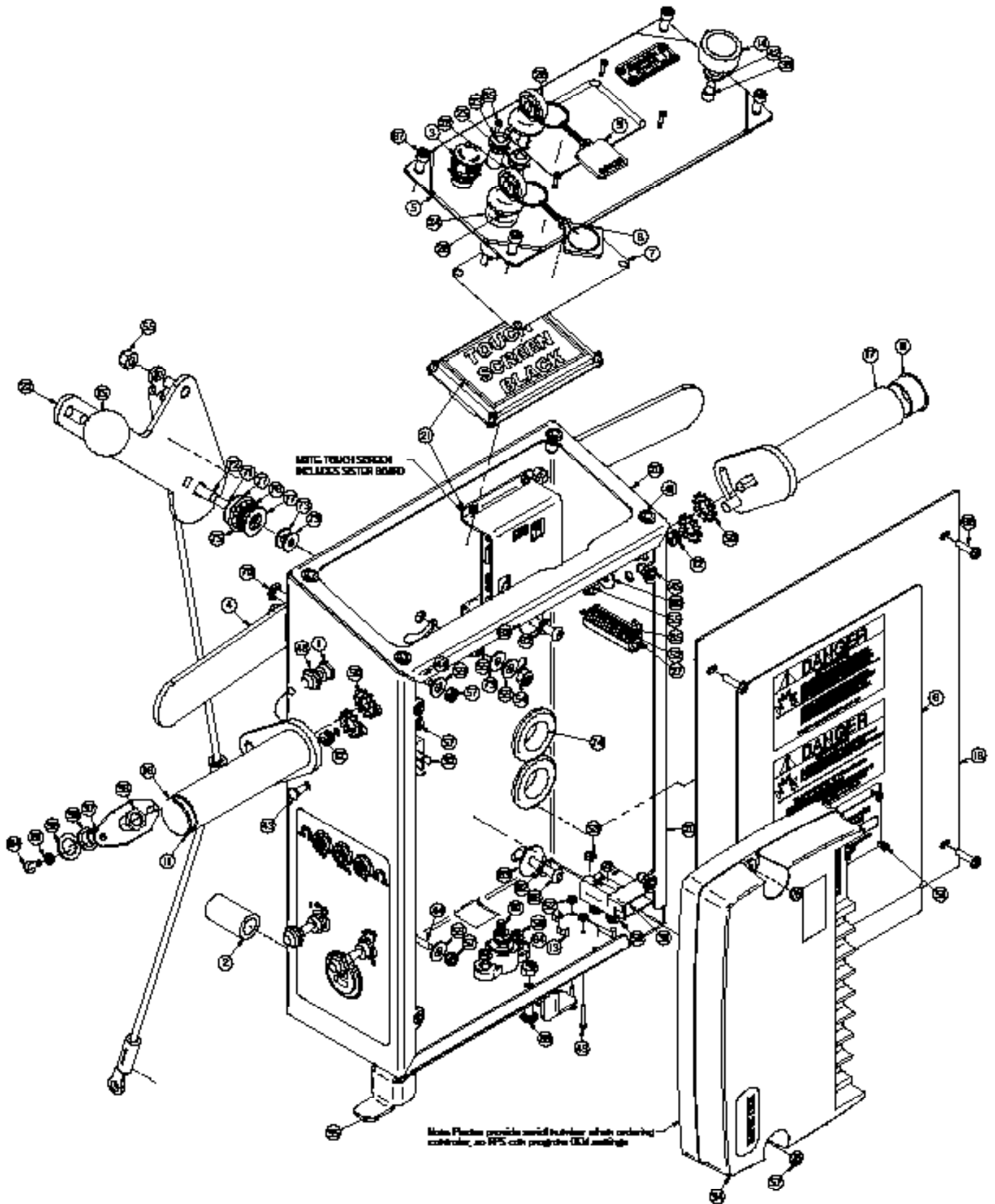


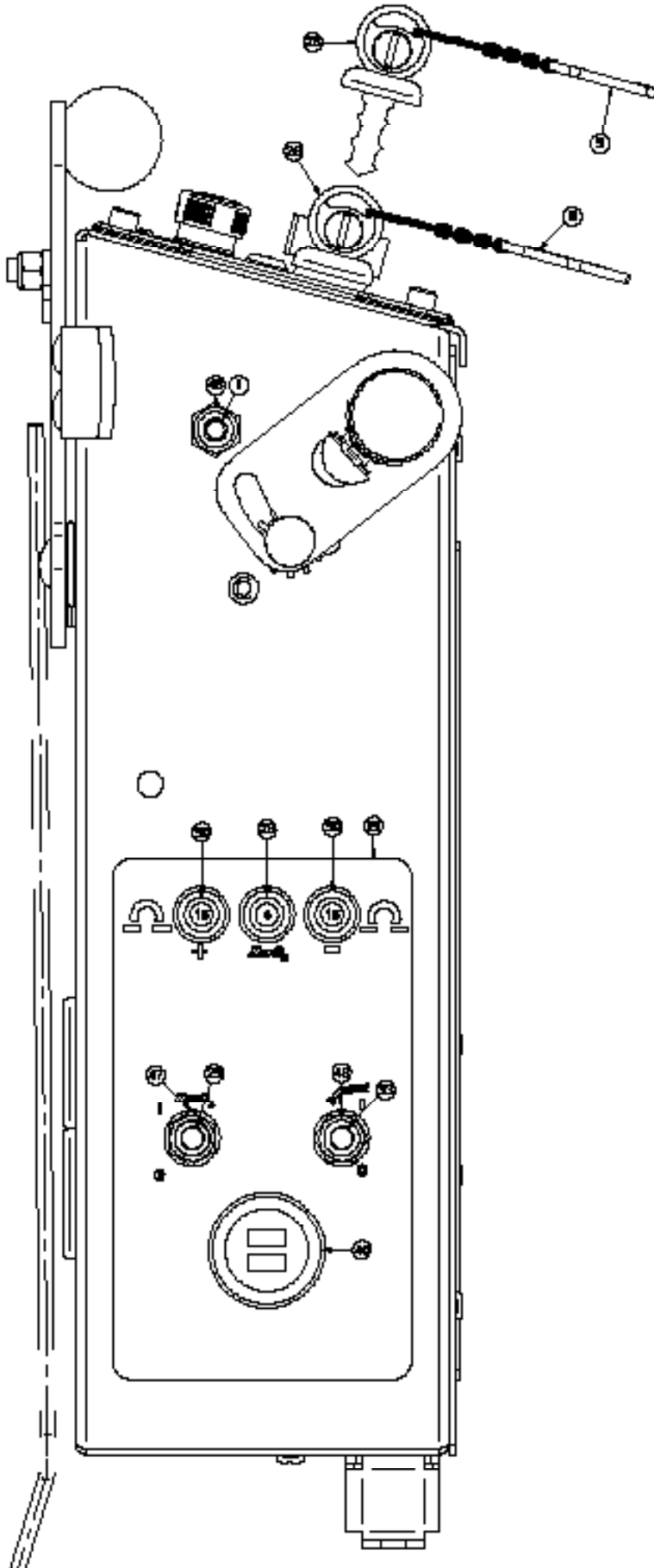
140 AH AGM FULLRIVER 170-2121



WHICH BATTERY CHARGER TO USE WITH BATTERY SELECTION

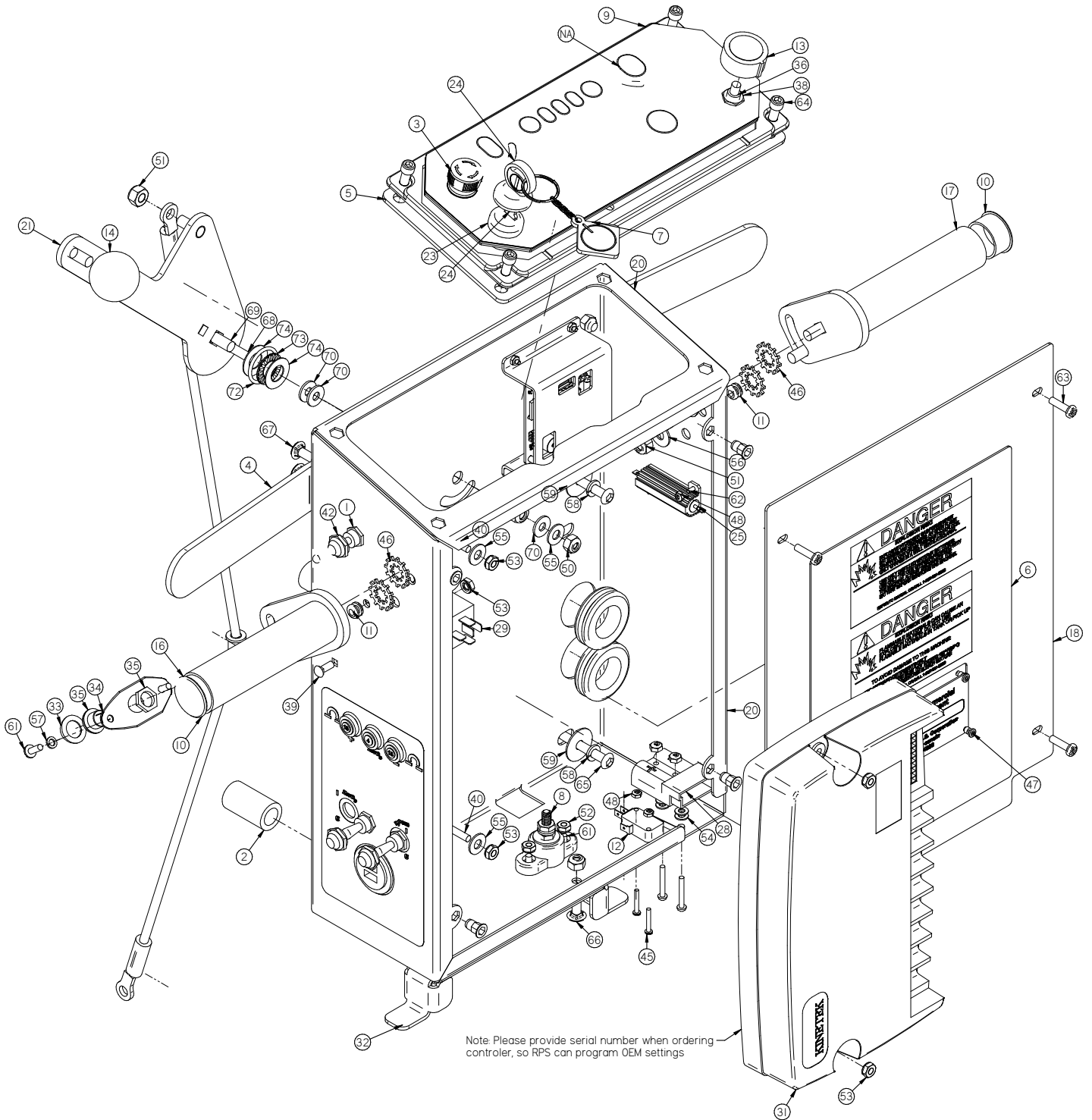
Battery Part Number & Description	Console Charger / North America	Onboard Charger / North America / International
170-2109 (12V / 130AH - WET)	170-2440	175-2460
200-2110 (12V / 150AH - WET)	170-2440	175-2460
170-2121 (12V / 140AH - AGM)	N/A	175-2460

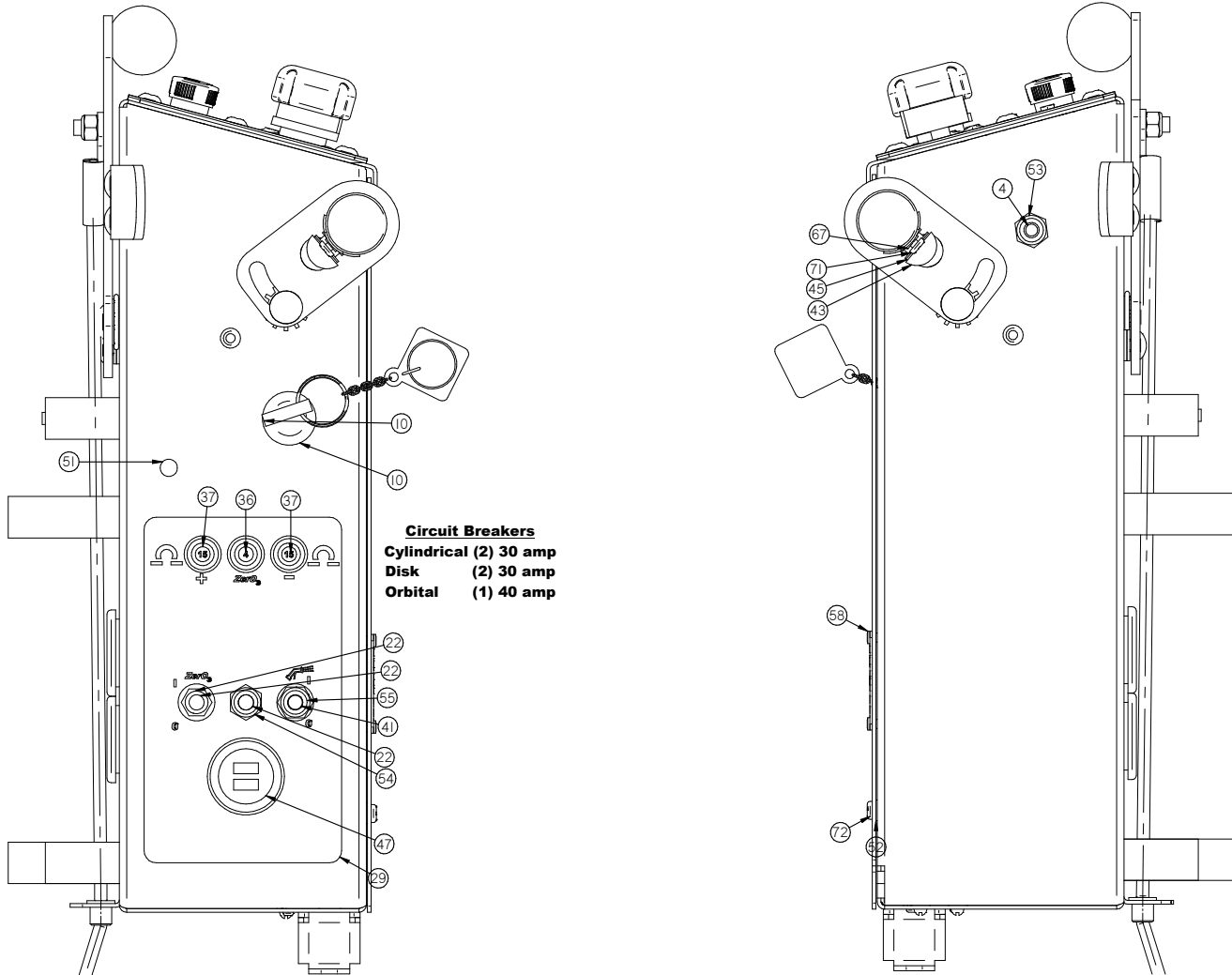




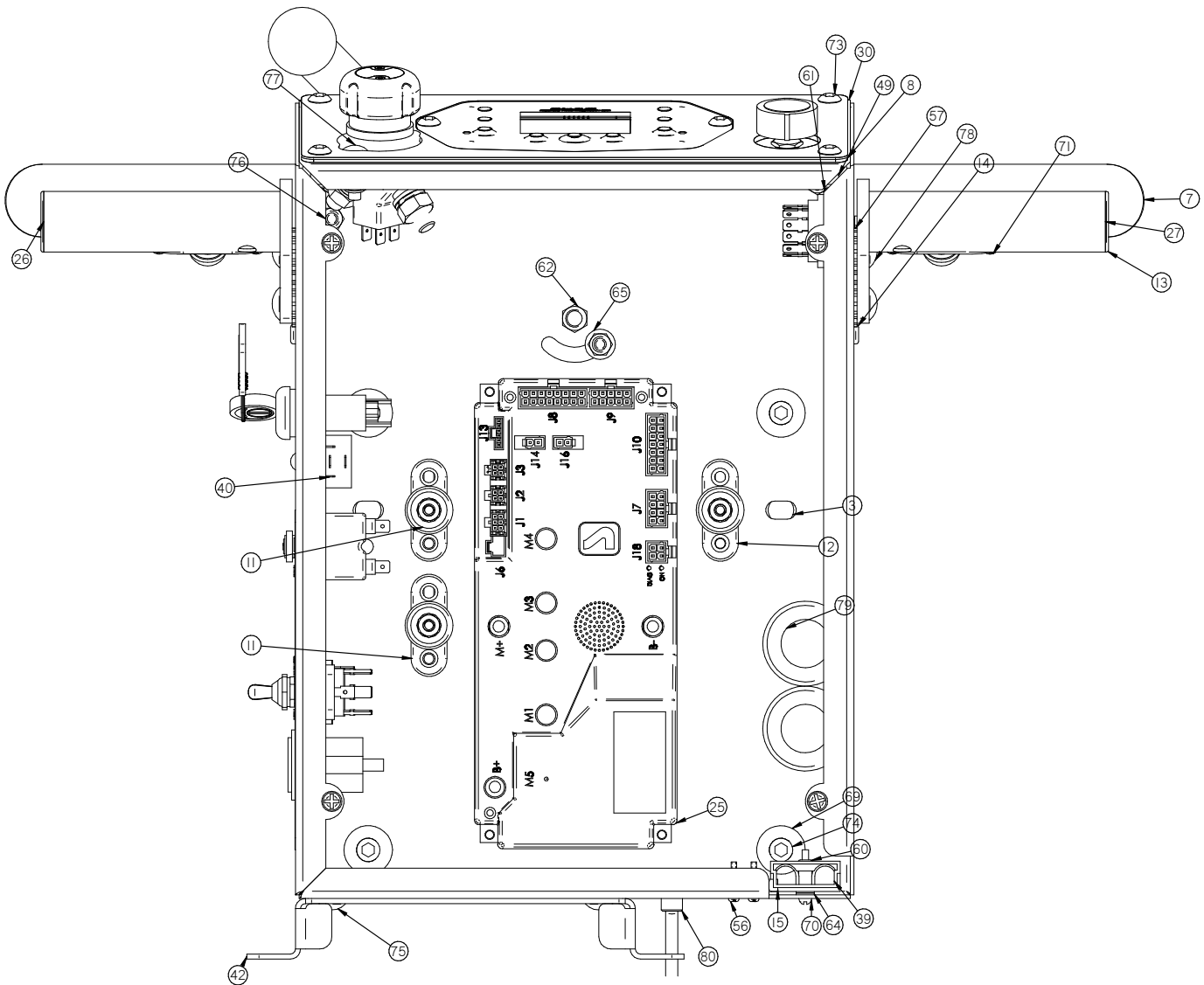
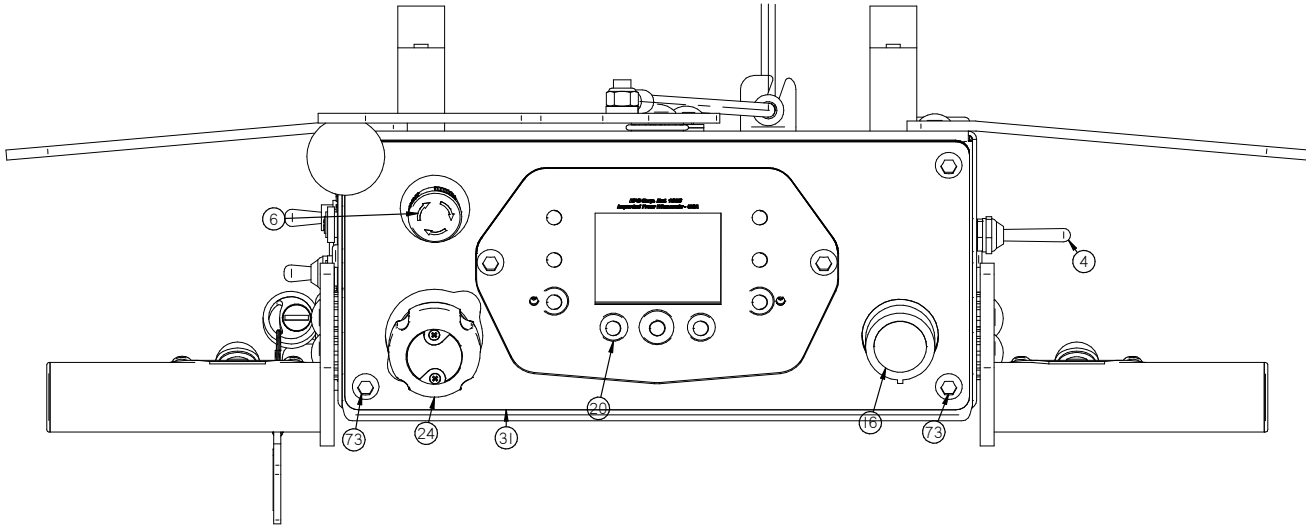
Qty	Part No.	Part Description	Qty
1	150-2630	SWITCH TORQUE MONITOR/ARM OPEN	1
2	170-2710	SPACER 1-82" LB	4
3	175-8000	Emergency stop switch, 5/8 wiring LCD	1
4	175-2592	HARD BURNED NYLON ROLLER	2
5	175-2019	BLACK ANODIZED SCRATCH COVER	1
6	175-2629	WIPER STRIP	1
7	175-2624	TOUCH SCRATCH PROTECTOR	1
8	175-2652	POWER KEY FOB	1
9	175-2652	SPRING KEY FOB	1
10	175-2710	M20 INSULATOR POST BLIND	1
11	190-1900	LED CHIP	2
12	20-2293	EPDMACT RUBBER 3/16 ID X 1/32 OD X 3/32 TH.	2
13	20-2290	MICRO SWITCH	1
14	20-2620	SPEED CONTROL RMB, RDB	1
15	21-7101	LIFT RINGS	1
16	284-2294	ADJUSTABLE HANDLE BWR LEFT	1
17	284-1291	ADJUSTABLE HANDLE BWR RIGHT	1
18	284-2608	CONTROL PANEL COVER	1
19	284-2617	SUBSTRATE SWITCH	1
20	284-2620	MIC CONTROL COMMAND BOX TOUCH SCRATCH	1
21	284-2626	4 INCH TOUCH SCRATCH BLANK	1
22	284-7106	SOLENOID LIFT LOCK	1
23	290-2330	RED LIGHT	1
24	290-234	KEY SWITCH WITH KEY	1
25	290-2340	GREEN LIGHT	1
26	290-2340	KEY SWITCH REPLACES	2
27	290-3030	RESISTOR	1
28	340-8004	FUSE, RESETTABLE, 4 AMP 50V DC MAX	1
29	370-8020	TORQUE ON-OFF SPST	1
30	390-3005	FUSE, RESETTABLE, 15 AMP 50V DC MAX	2
31	4-300	CONNECTOR PCB 50 HOLES ONLY	1
32	5-293	15 AMP RELAY	1
33	5-892	TORQUE ON-OFF SPST	1
34	650-2600	EMERGENCY TOUCH SCRATCH CONTROLLER	1
35	650-4042	CORD BRUSH	1
36	7-327	BUTTON COVER	2
37	7-328	SWITCH BUTTON PLATE	4
38	7-329	PUSH BUTTON SWITCH	4
39	7-392	SEPARATOR SWITCH	1
40	700-2500	BLK. USB PORTS	1
41	H-00910	PCB 84" 20 LB	4
42	H-0147984	3/8-32 X 1/2" PHEN. MNT	1
43	H-0172510	CS 1/4-32 X 1/2" SS	1
44	H-0172522	CS 3/8-32 X 1/2" SS	2
45	H-02009	PCB 1/4-32 LB CRIMP	4
46	H-8100	PROTECTIVE HOOT, TORQUE SWITCH PINK	1
47	H-12893	PROTECTIVE HOOT, TORQUE SWITCH PURPLE	1
48	H-12895	PROTECTIVE HOOT, TORQUE SWITCH LIGHT BLUE	1
49	H-20007	PHEN 4-40 X 3/4"	2
50	H-20200	5/16" BUTTER SIDE WISHER	4
51	H-20007	PHEN 3A BLIND RING	4
52	H-20054	NYLON 1/4-40 SS	8
53	H-20055	NYLON 3/8-32 SS	2
54	H-20050	NYLON 1/4-20 SS	7
55	H-20050	NYLON 5/16" - 18 SS	8
56	H-20022	RM 1/4-32	2
57	H-20029	RM 3/8-32 SS	5
58	H-20007	PH 1/8 SS	4
59	H-21013	PH 1/4 10 X 5/16 OD SS	3
60	H-21015	PH 5/16 10 X 3/4 OD SS	4
61	H-21020	LF 1/4 SS	8
62	H-21023	LF 1/4" SS	4
63	H-21212	PHEN 1/4 10 X 1/2 OD SS	4
64	H-22000	PPH 3/8-32 X 1/2" SS	10
65	H-22400	PPH 1/4-40 X 1/2" SS	10
66	H-22504	PPH 1/4-32 X 3/4" SS	4
67	H-23402	SHCS 1/4-20 X 1/2 SS	4
68	H-23750	SHCS 1/4 - 20 X 1-3/4" SS	4
69	H-24417	CS 1/4" - 20 X 1" SS	2
70	H-24418	CS 1/4" - 20 X 5/8" SS	4
71	H-24420	CS 1/4" - 20 X 1" SS	1
72	H-24420	CS 5/16" - 18 X 3/4" SS	5
73	H-25000	PH 1/4" NYLON	3
74	H-2607074	EPDMACT 1" ID X 1-3/4" OD BLK. R	2
75	M-34041770	NOZZLE ROLLER TRUST BEARING BRUSH	1
76	M-5900030	NOZZLE ROLLER TRUST BEARING	1
77	M-5900044	NOZZLE ROLLER TRUST BEARING BRUSH	2

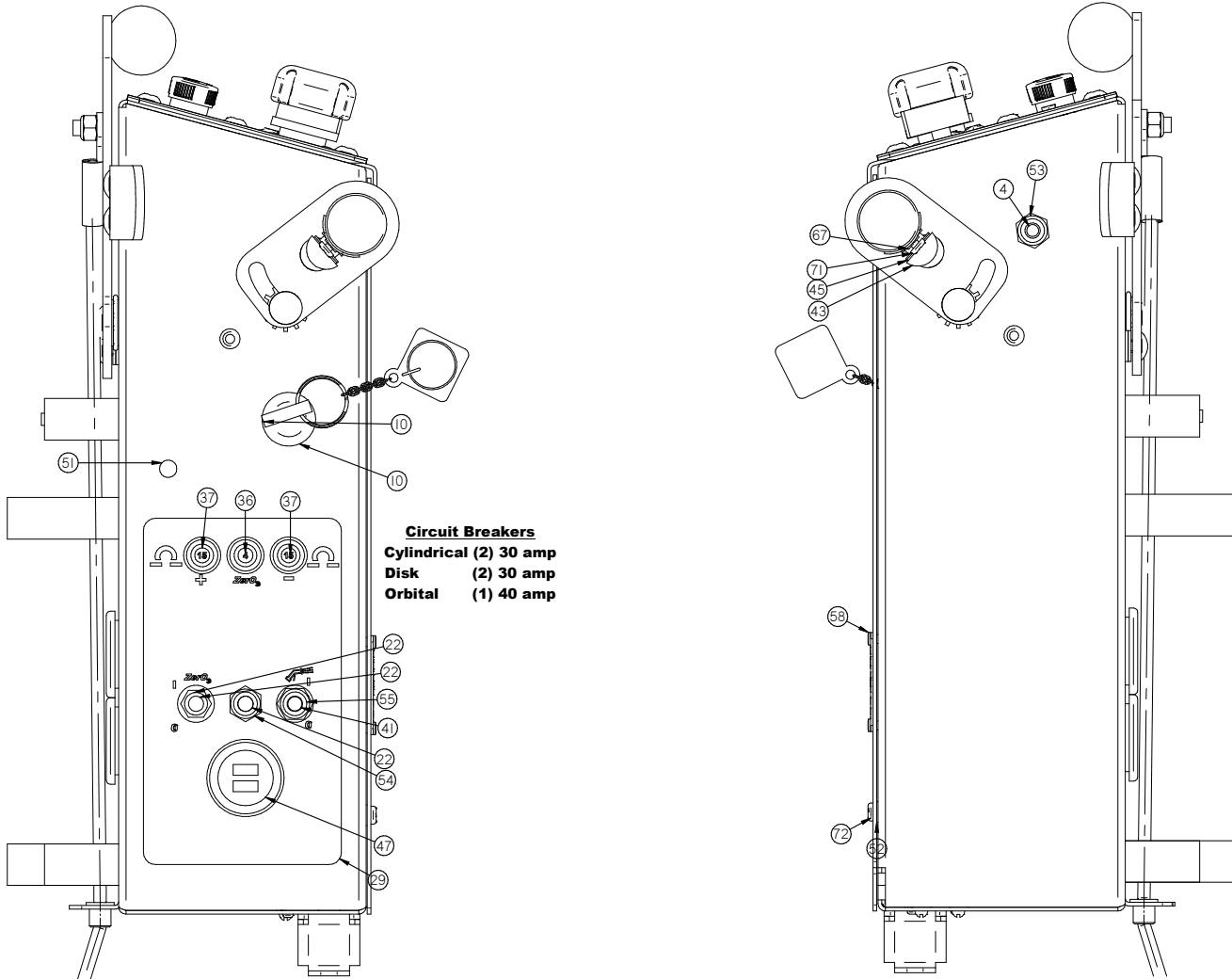
Membrane Panel Central Command Assembly



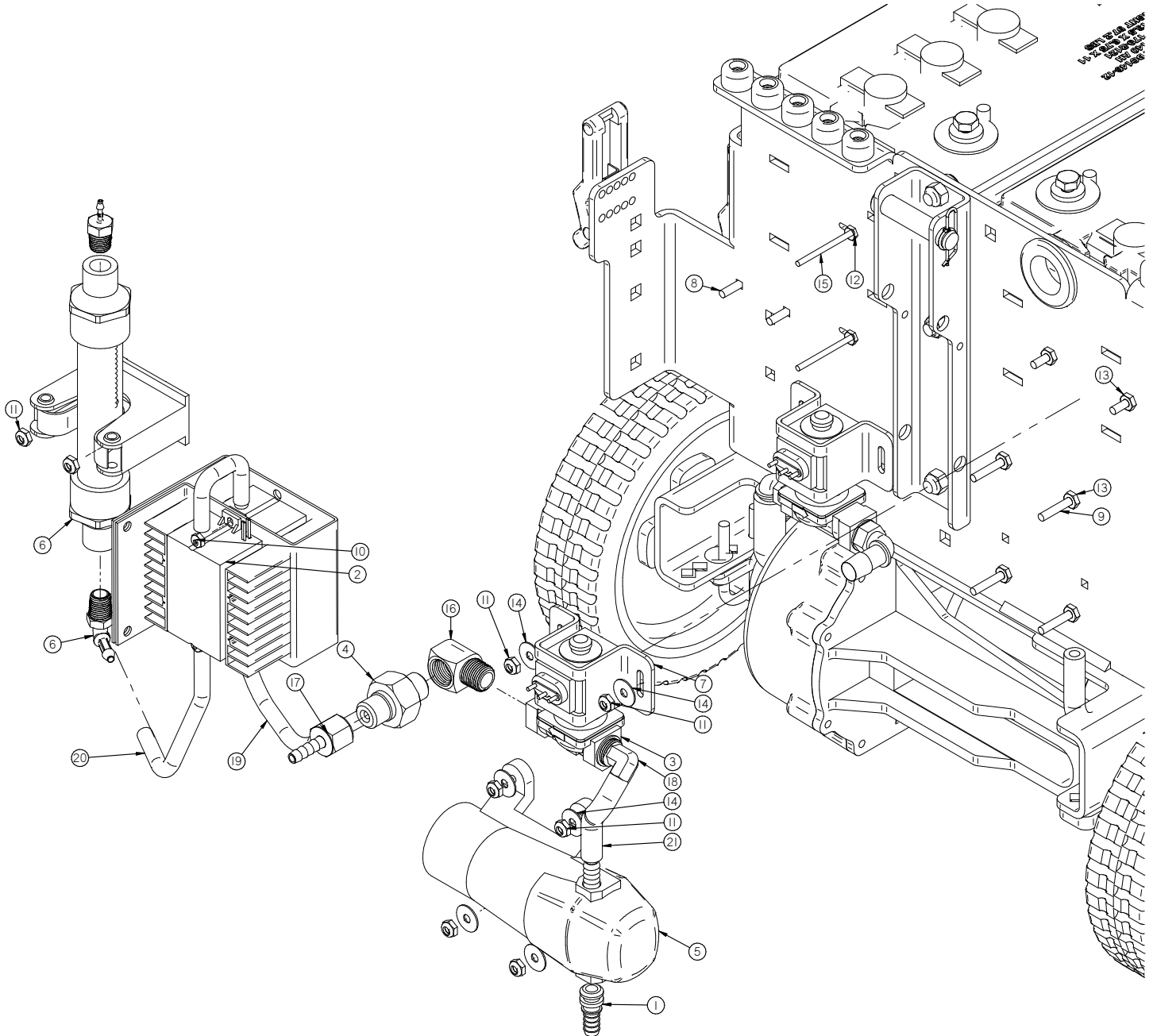


Item	Part No.	Part Description	Qty.	Item	Part No.	Part Description	Qty.
1*		NEEDLE ROLLER THRUST BEARING.asm	1	41	5-892	TOGGLE, ON-OFF SPST	1
2*		EYELET	2	42	650-4042	CORD WRAP	1
3	150-2701	SPACER, 2-1/4" LG	4	43	7-227	BUTTON COVER	2
4	150-2830	SWITCH, TOGGLE, MOM/OFF/MOM (DPDT)	1	44*	7-228	SWITCH MOUNT PLATE	4
5*	170-2700	SPACER, 1-1/2" LG	4	45	7-229	PUSH BUTTON SWITCH	4
6	175-0300	Emergency stop switch, 51 series, IC/O	1	46*	7-292	5K POTENTIOMETER	1
7	175-1292	HAND GUARD (OPTIONAL)	2	47	700-2590	DUAL USB PORTS	1
8	175-2005	COVER GASKET	1	48*	H-00283	FW 1/4" NYLON	3
9*	175-2023	WARNING STICKER	1	49	H-00918	HCN 1/4"-20 LG	4
10	175-2352		1	50*	H-0147994	3/8-32 X 1/2 PANEL NUT	1
11	175-2700	NEG INSULATOR POST (BLACK)	2	51	H-0172518	CB #10-32 X 1/2" SS	1
12	175-2710	POS INSULATOR POST (RED)	1	52	H-1032HCN	HCN #10-32	4
13	190-1390	END CAP	2	53	H-11196	PROTECTIVE BOOT, TOGGLE SWITCH, (RED)	1
14	21-2203	GROMMET, RUBBER 3/16 ID X 13/32 OD X 3/32 TH.	2	54	H-11198	PROTECTIVE BOOT, TOGGLE SWITCH, (GREEN)	1
15	21-2230	MICRO SWITCH	1	55	H-11205	PROTECTIVE BOOT, TOGGLE SWITCH, (LIGHT BLUE)	1
16	21-4520	SPEED CONTROL KNOB, RED	1	56	H-28667	PHP MS 4-40 X 3/4"	2
17*	21-7101	LIFT KNOB	1	57	H-33761	5/16" INT/EXT STAR WASHER	4
18*	211-2900	SED Orion RD	1	58	H-41007	AB4-3A BLIND RIVET ALUMINUM	4
19*	211-2905		1	59*	H-70854	NYLOK #4-40 SS	2
20	211-9106	SED DASH PANEL	1	60	H-70855	NYLOK #6-32 SS	2
21*	220-9105	SED MEMBRAIN DASH	1	61	H-70860	NYLOK 1/4" - 20 SS	11
22	253-283	SWITCH, TOGGLE, ON/OFF (DPDT)	2	62	H-70861	NYLOK 5/16" - 18 SS	6
23*	260-1507	Membrain Dash Gasket	1	63*	H-70923	KN #10-32 SS	1
24	260-9688	E-STOP	1	64	H-71007	FW #8 SS	4
25	261-2900	SED Orion Controller (24V, FS)	1	65	H-71013	FW 1/4 ID X 5/8 OD SS	1
26	264-1290	ADJUSTABLE HANDLE BAR, LEFT	1	66*	H-71015	FW 5/16 ID X 3/4 OD SS	4
27	264-1291	ADJUSTABLE HANDLE BAR, RIGHT	1	67	H-71059	LW #10, SS	8
28*	264-2001	CONTROL PANEL COVER	1	68*	H-71063	LW 1/4" SS	4
29	264-2017	SLIDS/SPRAY STICKER	1	69	H-71212	FNW 1/4 ID X 1.0 OD SS	4
30	264-2021	MEMBRANE CENTRAL COMMAND BOX	1	70	H-72390	PPH #6-32 X 1" MS S/S	2
31	264-6001	MEMBRANE TOP COVER	1	71	H-72398	PPH #8-32 X 1/2" S/S	8
32*	264-6002	MEMBRANE TOP COVER	1	72	H-72534	PPH #10-32 X 3/4" S/S	4
33*	264-7100	SQUEEGEE LIFT LEVER	1	73	H-73754	BHSCS 1/4 - 20 X 3/4" SS	6
34*	264-7890	SQUEEGEE LIFT CABLE	1	74	H-73758	BHSCS 1/4 - 20 X 1-3/4" SS	4
35*	290-234	KEY SWITCH (WITH KEY)	1	75	H-74417	CB 1/4"- 20 X .5" SS	2
36	349-9604	FUSE, RESETTABLE, 4 AMP, 50V DC MAX	1	76	H-74418	CB 1/4"- 20 X 5/8" S/S	4
37	390-9615	FUSE, RESETTABLE, 15 AMP, 50V DC MAX	2	77	H-74420	CB 1/4"- 20 X 1.0" SS	3
38*	4-101	SERIAL NUMBER PLATE	1	78	H-74429	CB 5/16"- 18 X 3/4" SS	5
39	4-259	CONNECTOR, RED 50, HOUSING ONLY	1	79	H-9307K74	GROMMET, 1" ID X 1-3/4" OD BUNA-N	2
40	5-293	24V 15 AMP RELAY	1	80	M-6389K626	FLANGED BEARING 5/16" ID X 7/16" OD X 1/2" LG, NYLON	1

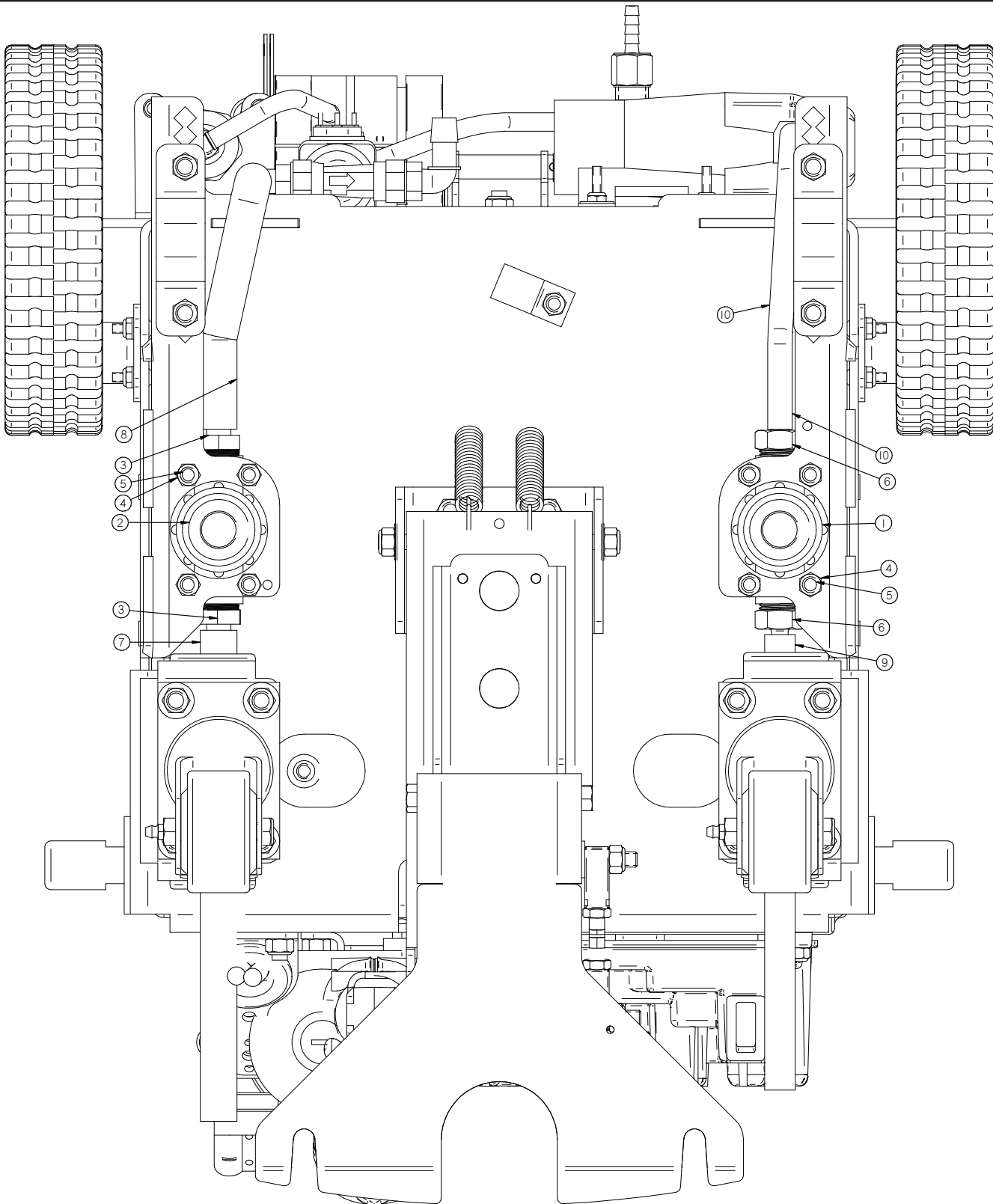




Item	Part No.	Part Description	Qty.	Item	Part No.	Part Description	Qty.
1*		NEEDLE ROLLER THRUST BEARING,asm	1	41	5-892	TOGGLE, ON-OFF SPST	1
2*		EYELET	2	42	650-4042	CORD WRAP	1
3	150-2701	SPACER, 2-1/4" LG	4	43	7-227	BUTTON COVER	2
4	150-2830	SWITCH, TOGGLE, MOM/OFF/MOM (DPDT)	1	44*	7-228	SWITCH MOUNT PLATE	4
5*	170-2700	SPACER, 1-1/2" LG	4	45	7-229	PUSH BUTTON SWITCH	4
6	175-0300	Emergency stop switch 51 series, IC/O	1	46*	7-292	5K POTENTIOMETER	1
7	175-1292	HAND GUARD (OPTIONAL)	2	47	700-2590	DUAL USB PORTS	1
8	175-2005	COVER GASKET	1	48*	H-00283	FW 1/4" NYLON	3
9*	175-2023	WARNING STICKER	1	49*	H-00918	HCN 1/4"-20 LG	4
10	175-2352		1	50*	H-0147994	3/8-32 X 1/2" PANEL NUT	1
11	175-2700	NEG INSULATOR POST (BLACK)	2	51	H-0172518	CB #10-32 X 1/2" SS	1
12	175-2710	POS INSULATOR POST (RED)	1	52	H-1032HCN	HCN #10-32	4
13	190-1390	END CAP	2	53	H-11196	PROTECTIVE BOOT, TOGGLE SWITCH, (RED)	1
14	21-2203	GROMMET, RUBBER 3/16 ID X 13/32 OD X 3/32 TH.	2	54	H-11198	PROTECTIVE BOOT, TOGGLE SWITCH, (GREEN)	1
15	21-2230	MICRO SWITCH	1	55	H-11205	PROTECTIVE BOOT, TOGGLE SWITCH, (LIGHT BLUE)	1
16	21-4520	SPEED CONTROL KNOB, RED	1	56	H-28667	PHP MS 4-40 X 3/4"	2
17*	21-7101	LIFT KNOB	1	57	H-33761	5/16" INT/EXT STAR WASHER	4
18*	211-2900	SED Orion RD	1	58	H-41007	AB4-3A BLIND RIVET ALUMINUM	4
19*	211-2905		1	59*	H-70854	NYLOK #4-40 SS	2
20	211-9106	SED DASH PANEL	1	60	H-70855	NYLOK #6-32 SS	2
21*	220-9105	SED MEMBRINE DASH	1	61	H-70860	NYLOK 1/4" - 20 SS	11
22	253-283	SWITCH, TOGGLE, ON/OFF/ON (DPDT)	2	62	H-70861	NYLOK 5/16" - 18 SS	6
23*	260-1507	Membrane Dash Gasket	1	63*	H-70923	KN #10-32 SS	1
24	260-9688	E-STOP	1	64	H-71007	FW #8 SS	4
25	261-2900	SED Orion Controller (24V, FS)	1	65	H-71013	FW 1/4 ID X 5/8 OD SS	1
26	264-1290	ADJUSTABLE HANDLE BAR, LEFT	1	66*	H-71015	FW 5/16 ID X 3/4 OD SS	4
27	264-1291	ADJUSTABLE HANDLE BAR, RIGHT	1	67	H-71059	LW #10, SS	8
28*	264-2001	CONTROL PANEL COVER	1	68*	H-71063	LW 1/4" SS	4
29	264-2017	SUDS/SPRAY STICKER	1	69	H-71212	FNW 1/4 ID X 1.0 OD SS	4
30	264-2021	MEMBRANE CENTRAL COMMAND BOX	1	70	H-72390	PPH #6-32 X 1" MS S/S	2
31	264-6001	MEMBRANE TOP COVER	1	71	H-72398	PPH #8-32 X 1/2" S/S	8
32*	264-6002	MEMBRANE TOP COVER	1	72	H-72534	PPH #10-32 X 3/4" S/S	4
33*	264-7100	SQUEEGEE LIFT LEVER	1	73	H-73754	BHSCS 1/4 - 20 X 3/4" SS	6
34*	264-7890	SQUEEGEE LIFT CABLE	1	74	H-73758	BHSCS 1/4 - 20 X 1-3/4" SS	4
35*	290-234	KEY SWITCH (WITH KEY)	1	75	H-74417	CB 1/4" - 20 X .5" SS	2
36	349-9604	FUSE, RESETTABLE, 4 AMP, 50V DC MAX	1	76	H-74418	CB 1/4" - 20 X 5/8" S/S	4
37	390-9615	FUSE, RESETTABLE, 15 AMP, 50V DC MAX	2	77	H-74420	CB 1/4" - 20 X 1.0" SS	3
38*	4-101	SERIAL NUMBER PLATE	1	78	H-74429	CB 5/16" - 18 X 3/4" SS	5
39	4-259	CONNECTOR, RED 50, HOUSING ONLY	1	79	H-9307K74	GROMMET, 1" ID X 1-3/4" OD BUNA-N	2
40	5-293	24V 15 AMP RELAY	1	80	M-6389K626	FLANGED BEARING 5/16" ID X 7/16" OD X 1/2" LG, NYLON	1

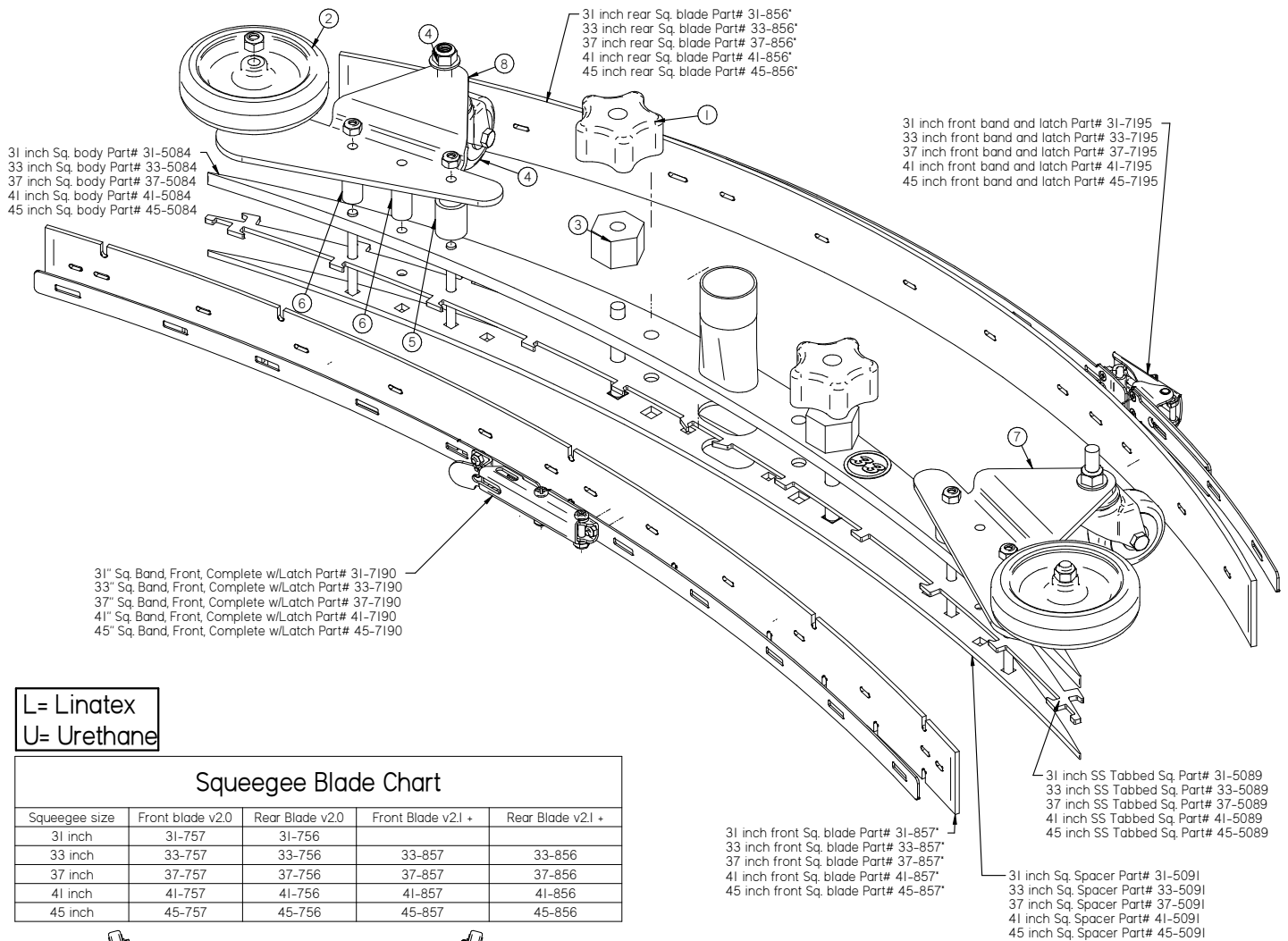


Item	Part No.	Part Description	Qty.
1	I23-1601	3/8 BARBED FITTING	1
2	I23-2334	ZERO GENERATORS	1
3	I23-6500	24V VALVE	1
4	I23-8510	RED INJECTOR	1
5	I23-8910	PUMP, WATER JET	1
6	I23-9134	AIR DRYER	1
7	I50-5280	VALVE BRACKET	1
8	H-0172520	CB #10-32 X 3/4" SS	1
9	H-0172522	CB #10-32 X 1-1/4" SS	1
10	H-70855	NYLOK #6-32 SS	1
11	H-70858	NYLOK #10-32 SS	4
12	H-70921	KN #6-32	1
13	H-70923	KN #10-32 SS	2
14	H-71010	FW #10 ID X 11/16 OD SS	3
15	H-72393	PPH #6-32 X 2" MS S/S	1
16	M-50785K441	.375 MALE NPT X .375 FEMALE NPT ELBOW 90 DEG	1
17	M-5346K52	.375 NPT X .25 BRASS BARBED HOSE FITTING	1
18	M-53525K18	.375 NPT X .375 BRASS BARBED ELBOW	1
19	T-025CS6000	BULK 1/4" ID X 5' CLEAR SILICONE ZERO HOSE	1
20	T-025CS6000	BULK 1/4" ID X 5' CLEAR SILICONE ZERO HOSE	1
21	T-375R6000	BULK 3/8" ID X 5' WIRE REINFORCED ZERO HOSE	1



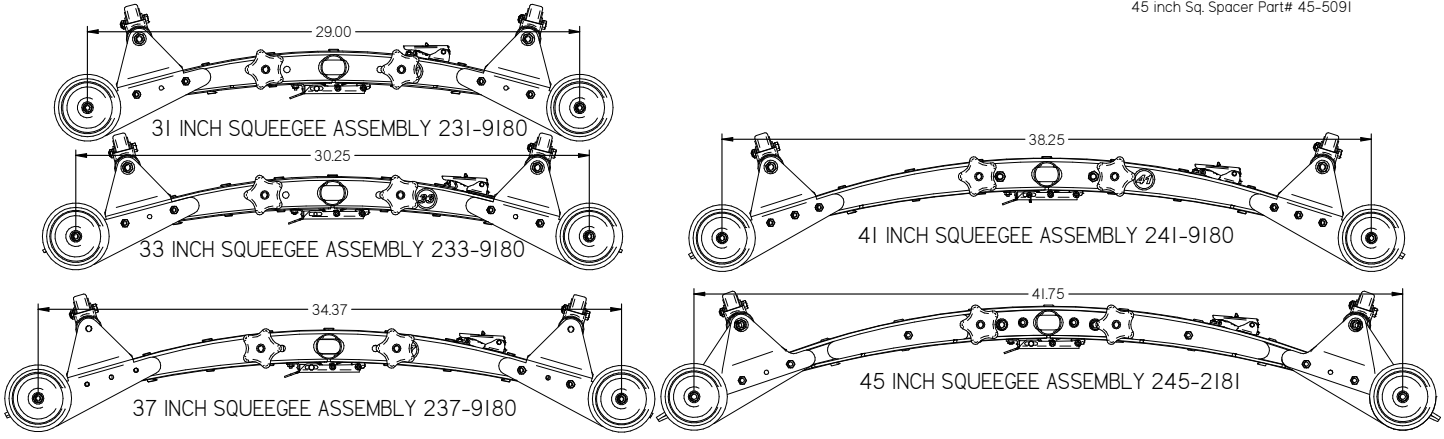
Item	Part No.	Part Description	Qty.
1	I75-9130	INLINE FILTER	1
2	I75-9135	INLINE FILTER W/BLACK 40 MESH SCREEN	1
3	H-04788	.50 NPT X .50 BARB	2
4	H-70860	NYLOK 1/4" - 20 SS	2
5	M-3043T13	1/4-20 X 1.0" U-BOLT	2
6	M-5463K461	.50 NPT X .375 BARB.par	2
7	T-050R6000	BULK 1/2" ID X 5' WIRE REINFORCED SOLUTION HOSE	1
8	T-050R6000	BULK 1/2" ID X 5' WIRE REINFORCED SOLUTION HOSE	1
9	T-375R6000	BULK 3/8" ID X 5' WIRE REINFORCED ZERO HOSE	1
10	T-375R6000	BULK 3/8" ID X 5' WIRE REINFORCED ZERO HOSE	1

Item	Part No.	Part Description	Qty.
1	150-5786	STAR KNOB, 3/8-16 THREAD	1
2	150-7600	4" SIDE WHEEL (GREY)	2
3	211-8460	STANDOFF, 7/8"	2
4	253-7570	CASTER	2
5	37-0007	SQUEEGEE ROLLER SPACER	1
6	37-0008	SQUEEGEE ROLLER SPACER	2
7	45-7183	SQUEEGEE CASTER BRACKET (LH)	1
8	45-7184	SQUEEGEE CASTER BRACKET (RH)	1

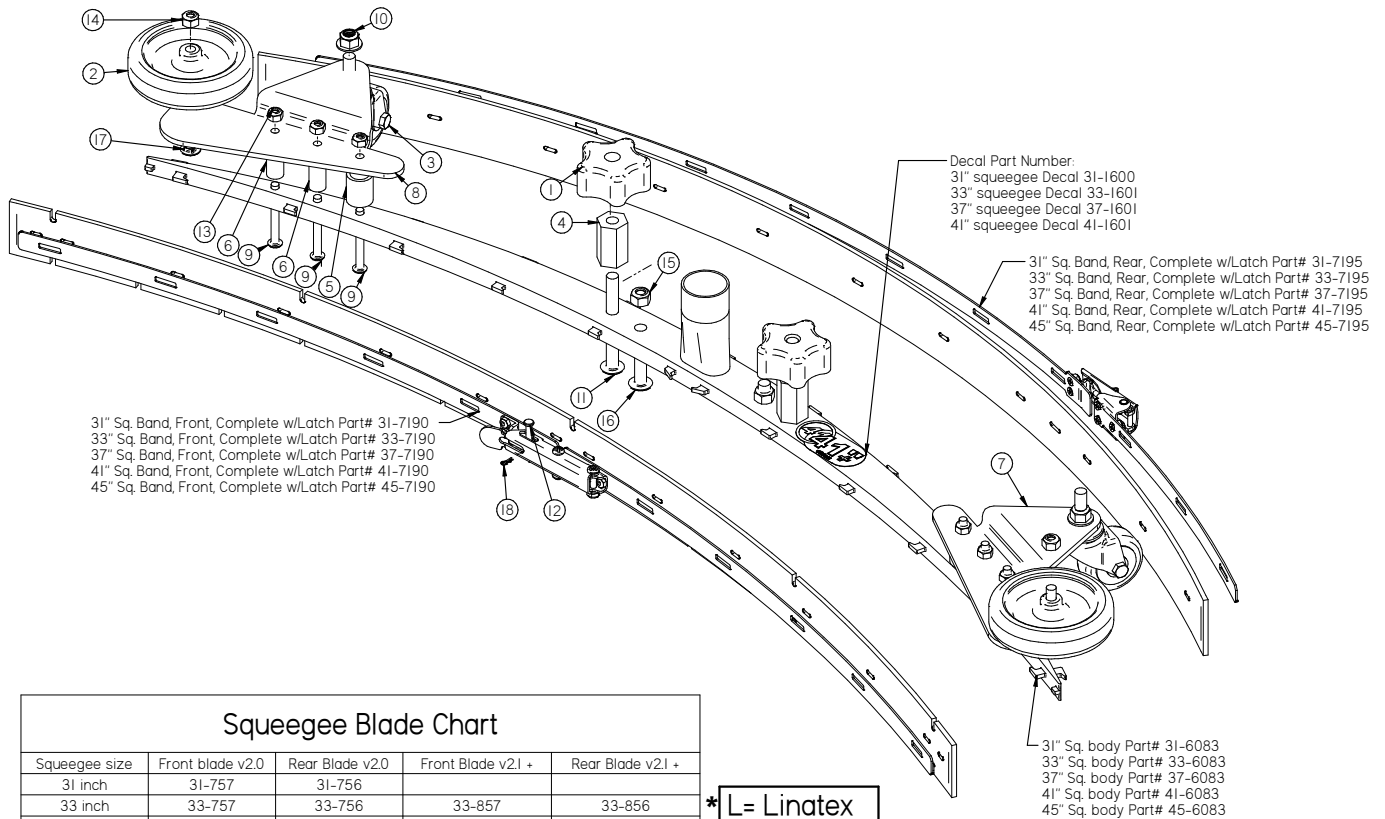


L= Linatex
 U= Urethane

Squeegee size	Front blade v2.0	Rear Blade v2.0	Front Blade v2.1 +	Rear Blade v2.1 +
31 inch	31-757	31-756		
33 inch	33-757	33-756	33-857	33-856
37 inch	37-757	37-756	37-857	37-856
41 inch	41-757	41-756	41-857	41-856
45 inch	45-757	45-756	45-857	45-856



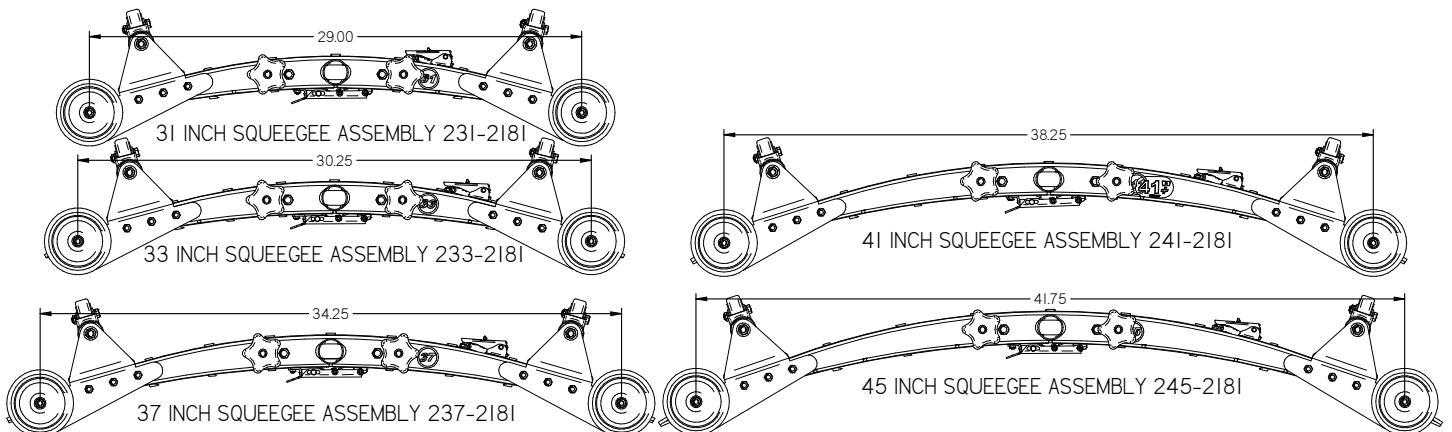
Item	Part No.	Part Description	Qty.
1	150-5786	STAR KNOB, 3/8-16 THREAD	2
2	150-7600	4" SIDE WHEEL (GREY)	2
3	253-7570	CASTER	2
4	33-8460	STANDOFF, 1.5"	2
5	37-0007	SQUEEGEE ROLLER SPACER	2
6	37-0008	SQUEEGEE ROLLER SPACER	4
7	45-7183	SQUEEGEE CASTER BRACKET (LHI)	1
8	45-7184	SQUEEGEE CASTER BRACKET (RHI)	1
9	H-0171285	BHSCS 1/4 - 20 X 2-1/4 SS	6
10	H-0129152A	FLANGED NUT 3/8-16	2
11	H-37350	BHSCS 3/8"- 16 X 3-1/2" S/S	2
12	H-66010	CLEVIS 3/16" X 1 1/2"	1
13	H-70860	NYLOK 1/4"- 20 SS	6
14	H-70861	NYLOK 5/16" - 18 SS	2
15	H-70862	NYLOK 3/8"-16 SS	2
16	H-73816	BHSCS 3/8"- 16 X 1-1/4" SS	2
17	H-74401	CB 5/16"- 18 X 1-3/4" SS	2
18	H-RUE22	1/2" RUE RING COTTER	1



Squeegee Blade Chart

Squeegee size	Front blade v2.0	Rear Blade v2.0	Front Blade v2.1 +	Rear Blade v2.1 +
31 inch	31-757	31-756		
33 inch	33-757	33-756	33-857	33-856
37 inch	37-757	37-756	37-857	37-856
41 inch	41-757	41-756	41-857	41-856
45 inch	45-757	45-756	45-857	45-856

* L= Linatex
 U= Urethane



ROUND DISK BRUSHES:

NOTICE	
The ## in Disk Column Denotes Desk Pad Size: 13" or 20"	

BRUSHES	DISK	LEVEL
Super Grit	##-382SS	Very High
Tough Grit	##-382S	High
Midi Grit	##-382C	Medium
Light Grit	##-382PS	Moderate
Poly	##-382P	Light
Nylon	##-382N	Light
Tampico	##-382T	Light
Pad Driver	##-382D	
Diamond Driver	##-382DD	

ROUND DISK PADS:

NOTICE			
The ## in Disk Column Denotes Desk Pad Size: 13" or 20"			

DISK PADS	DISK	LEVEL	COLOR
Super Black	##-422BB	Very High	Black
Black	##-422B	High	Black
Brown	##-422BR	High	Brown
Green	##-422G	Medium	Green
Blue	##-422BL	Moderate	Blue
Red	##-422R	Moderate	Red
White	##-422W	Light	White

CYLINDRICAL BRUSHES:

BRUSHES	MODEL 25" CYLINDRICAL	LEVEL
Tough Grit	236-697S	High
Midi Grit	236-697C	Medium
Light Grit	236-697PS	Moderate
Nylon	236-697N	Light
Tampico	236-697T	Light

EDGE PADS AND SCREENS:

DESCRIPTION	24"×14" SCRUBDECK	20"×14" SCRUBDECK	28"×14" SCRUBDECK
White Pad	N / A	EDGE-4005	EDGE-4054
Red Pad	EDGE-2404	EDGE-4004	EDGE-4053
Blue Pad	EDGE-2403	EDGE-4003	EDGE-4052
Green Pad	EDGE-2402	EDGE-4002	EDGE-4051
Black Pad	EDGE-2401	EDGE-4001	EDGE-4050
White Driver Pad	N / A	EDGE-4025	EDGE-4058
Tile/Grout Renovator Pad	N / A	EDGE-4018	EDGE-4059
Microfiber Pad	N / A	EDGE-4036	EDGE-4060
Dominator HD Strip Pad	N / A	EDGE-4006	EDGE-4061
Maroon ECO Prep Pad	EDGE-2407	EDGE-4007	EDGE-4062
Remover Burnishing Pad	N / A	EDGE-4008	EDGE-4063
Porko Burnishing Pad	N / A	EDGE-4017	
Velcro Pad	N / A	300-4023	

Common Wear Parts

EDGE GRIP FACE:

DESCRIPTION	PART#
20", 24" & 28" Mighty Lok Grip Face	300-01037Z

V2.1 SQUEEGEE BLADE KITS & COMPLETE SQUEEGEE ASSEMBLIES:

SQUEEGEE SIZE	20" DISK DECKS	26" DISK DECKS	25" CYL. DECKS	20" EDGE DECKS	24" EDGE DECKS	28" EDGE DECKS
33" Squeegee	Standard	Standard	Standard	Standard	Standard	Standard
37" Squeegee	Optional	Optional	Optional	Optional	Optional	Optional

SQUEEGEE SIZE	LINATEX BLADE KIT	COMPLETE SQUEEGEE ASSEMBLIES
33" Squeegee	433-721L	233-2181
37" Squeegee	437-721L	237-2181

SQUEEGEE MATERIAL:	USED FOR:
LINATEX	Provides best wear and tear resistance. Not designed for use with harsh chemicals.

NOTICE

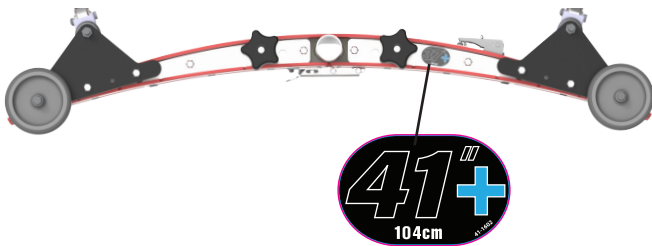
Squeegee blade kits include (1) Rear Blade, (1) Front Blade, and (2) Caster Wheels with hardware.

NOTICE

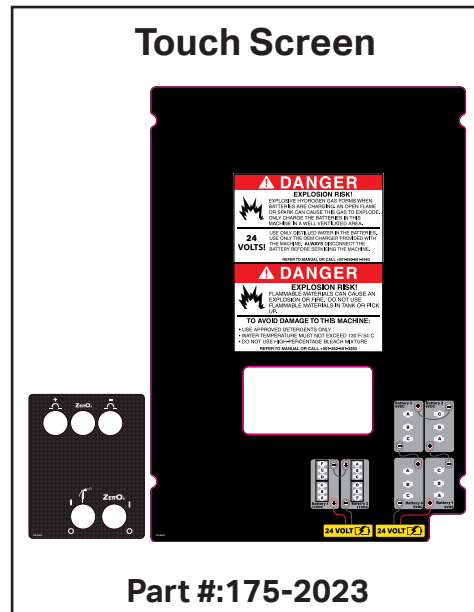
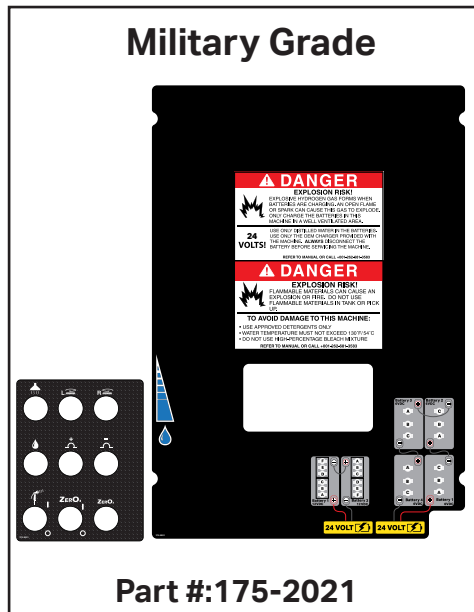
Squeegee Assemblies (complete) listed above all come with Linatex blades.

NOTICE

Size is shown as a decal at the top of the steel squeegee body on all squeegee's.



Central Command Decals



Models / Options / Squeegee Size Decals



Part #370-7216



Part #:164-1516



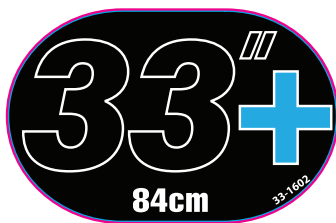
Part #:175-1524



Part #:123-1837



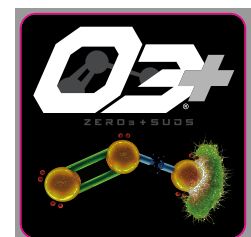
Part #:123-1838



Part #:33-1602



Part #:37-1602



Part #:123-1843

BLANK
THIS PAGE WAS INTENTIONALLY LEFT BLANK

TOMCAT[®]

1711 South Street
Racine, WI 53404
www.tomcatequip.com
Tel. US: 800-450-9824
Tel. Int: (001) 262-681-6470